

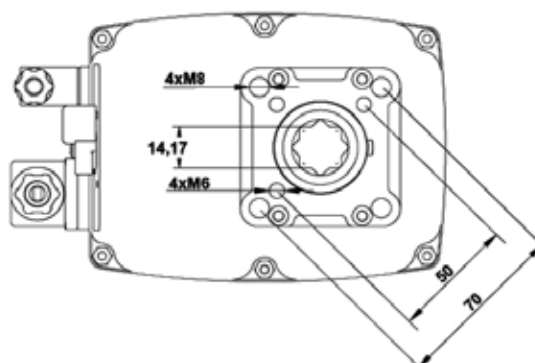
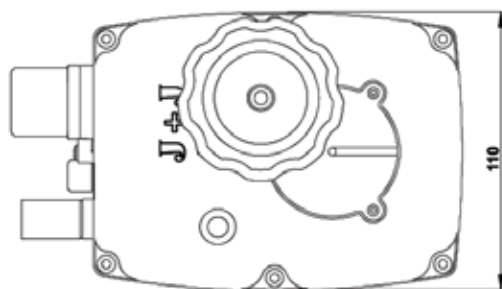
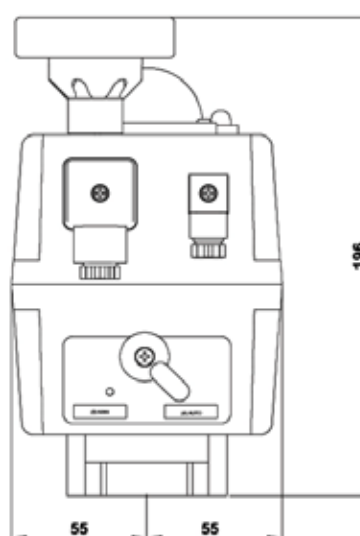
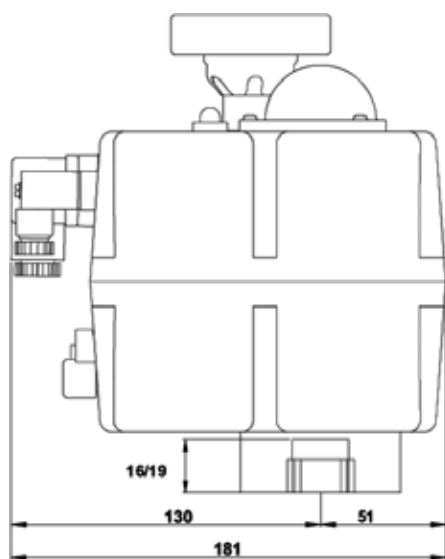
J3C S55

IP67

Compact actuator for regulation and control of valves. Equipped with extra limit switches (ELS), handwheel, dome. Valve-Interface according ISO 5211/DIN 3337, connectors, heater, electronic limiter

technical data

voltage range	24 - 240 V AC/DC (50/60 Hz)
current consumption	0,1 A - 1,8 A
operating time s/90°	13 s ± 10%
heater	3,5 W
break torque	60 Nm
operational torque	55 Nm
duty rating [ED]	75%
protection class	IP67
temperature range	-20 °C to 70 °C
flange	F05/F07
double square	14 mm, 17 mm
connectors	EN175301-803
housing	polyamide (PA6)
ELS	5 A 125 V AC / 3 A 250 V AC
optional features	failsafe battery pack (BSR), DPS digital positioning system, potentiometer, 3 positions actuator, 4 positions actuator, with 2 phases selection - optional NO or NC



wiring diagram

