



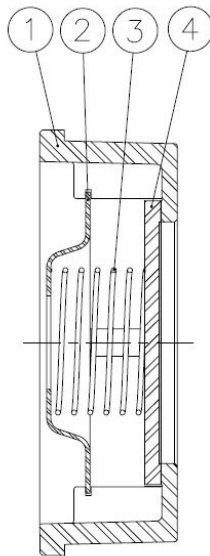
## STAINLESS STEEL VALVES

### GENEBRE PART: 2415 WAFER SPRING DISK CHECK VALVE, 40/25 BAR

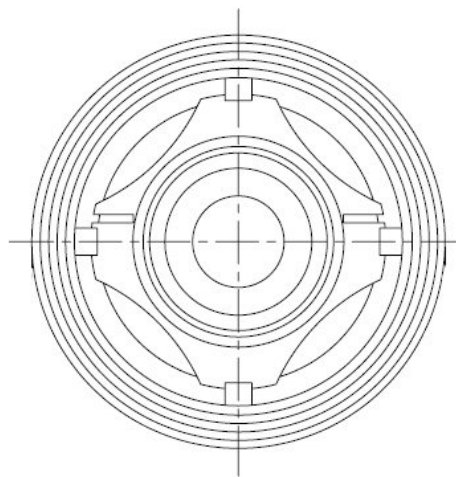


#### SPECIFICATIONS

1	Material AIS 316 Stainless Steel
2	Sandwich mounts between PN16/ 40 and ASA150 flanges
3	Max working pressure 40/25 Bar (See P x T charts)
4	Max Temperature +240°C
5	Low head loss pattern
6	Outer NBR O Ring (DN125-150)
7	Can accept vertical or horizontal flow
8	Face to face according to EN 558-1



DN15 - DN100

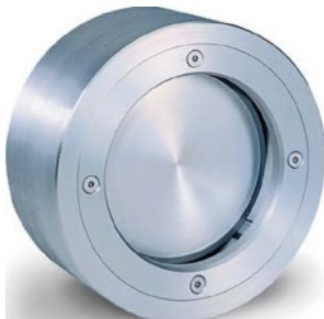


#### MATERIALS DN15 - DN100

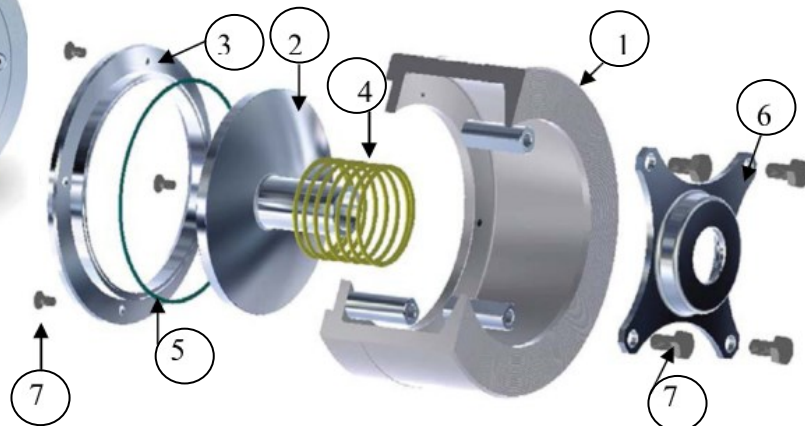
1	AISI 316
2	AISI 316
3	AISI 316
4	AISI 316

#### MATERIALS DN125 - DN150

1	AISI 316
2	AISI 316
3	AISI 316
4	AISI 316
5	NBR
6	AISI 316
7	AISI 316



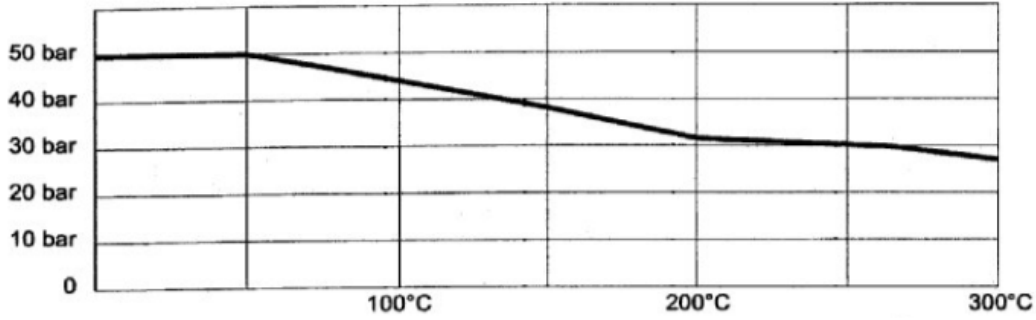
DN125—DN150



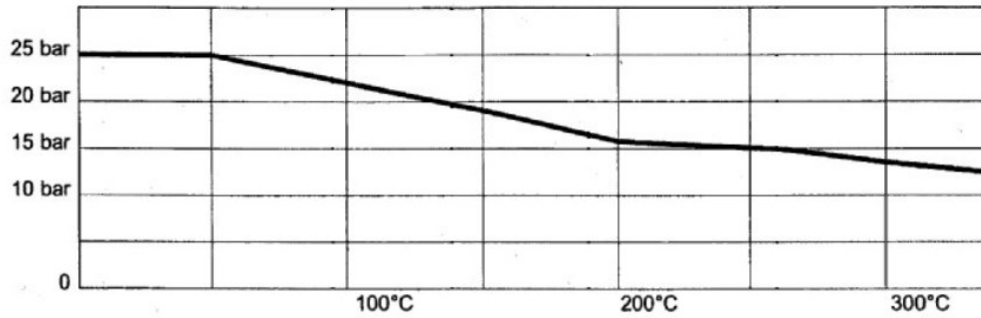


GENEBRE PART: 2415 WAFER SINGLE DISK CHECK VALVE, 40/25 BAR

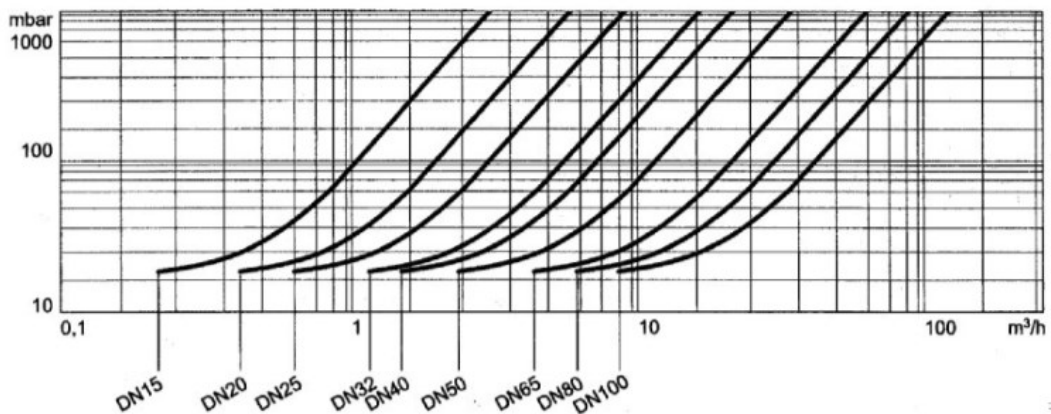
PRESSURE/ TEMPERATURE CHART DN15 - DN100



PRESSURE/ TEMPERATURE CHART DN125 - DN150



HEAD LOSS DIAGRAM DN15 - DN100

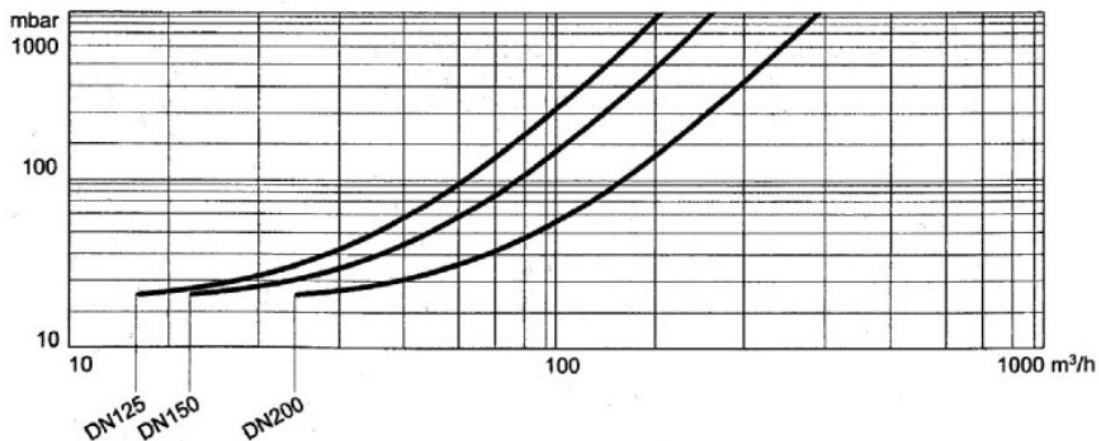


FLOW	DN	15	20	25	32	40	50	65	80	100	
△	with spring	mbar	25	25	25	27	29	29	31	32	33
▷	with spring	mbar	23	23	23	24	25	25	26	26	27
▽	with spring	mbar	21	21	21	21	21	21	21	21	21
△	without spring	mbar	2	2	2	3	4	4	5	5	6

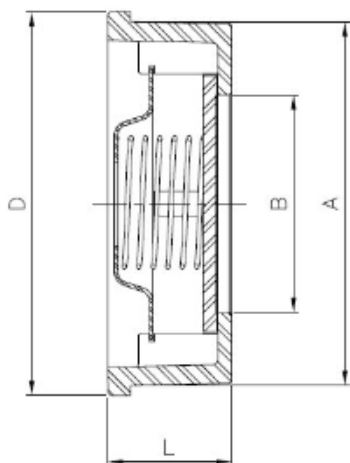


GENEBRE PART: 2415 WAFER SINGLE DISK CHECK VALVE, 40/25 BAR

HEAD LOSS DIAGRAM DN125 - DN150



FLOW		DN	125	150	200
△	with spring	mbar	34	36	36
▷	with spring	mbar	22	23	27
▽	with spring	mbar	17	18	18
△	without spring	mbar	8	9	10



DIMENSIONS						
AVOL	SIZE	PN	A	D	L	Wt
REF		Bar	mm	mm	mm	Kg
2415 04	1/2"	40	34	39	16	0.09
2415 05	3/4"	40	41	46	19	0.12
2415 06	1"	40	49	54	22	0.20
2415 07	1 1/4"	40	62	70	28	0.38
2415 08	1 1/2"	40	71	81	32	0.52
2415 09	2"	40	85	94	40	0.78
2415 10	2 1/2"	40	102	113	46	1.24
2415 11	3"	40	123	132	50	1.87
2415 12	4"	40	140	150	60	2.65
2415 13	5"	25	185	185	90	6.75
2415 14	6"	25	218	218	105	10.60