

Coaxial

Power Splitter/Combiner

ZFSC-2-372+

2 Way-0° 50Ω 10 to 3700 MHz



CASE STYLE: K18

| Connectors | Model |
|----------------------|---------------|
| SMA | ZFSC-2-372-S+ |
| BRACKET (OPTION "B") | |

+RoHS Compliant

The +Suffix identifies RoHS Compliance. See our web site for RoHS Compliance methodologies and qualifications

Maximum Ratings

| | |
|-----------------------------|----------------|
| Operating Temperature | -40°C to 85°C |
| Storage Temperature | -55°C to 100°C |
| Power Input (as a splitter) | 1W max. |
| Internal Dissipation | 0.125W max. |

Permanent damage may occur if any of these limits are exceeded.

Coaxial Connections

| | |
|----------|---|
| SUM PORT | 3 |
| PORT 1 | 1 |
| PORT 2 | 2 |

Features

- very wideband, 10 to 3700 MHz
- low insertion loss, 0.6 dB typ.
- excellent amplitude unbalance, 0.2 dB typ.
- excellent phase unbalance, 1.0 deg. typ.
- rugged shielded case

Applications

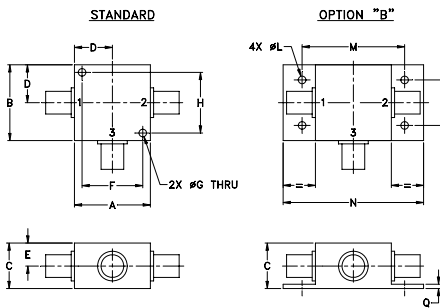
- cellular
- GPS
- PCS/DCS
- ISM
- satellite distribution
- MMDS
- defense communications

Electrical Specifications

| FREQ. RANGE (MHz) | ISOLATION (dB) | | | INSERTION LOSS (dB) ABOVE 3.0 dB | | | PHASE UNBALANCE (Degrees) | | | AMPLITUDE UNBALANCE (dB) | | |
|-------------------|----------------|-----------|-----------|----------------------------------|-----------|-----------|---------------------------|------|------|--------------------------|------|------|
| | L | M | U | L | M | U | L | M | U | L | M | U |
| f_L - f_U | Typ. Min. | Typ. Min. | Typ. Min. | Typ. Max. | Typ. Max. | Typ. Max. | Max. | Max. | Max. | Max. | Max. | Max. |
| 10-3700 | 18 | 13 | 18 | 14 | 20 | 14 | 0.5 | 0.8 | 0.6 | 1.1 | 0.8 | 1.6 |
| 2400-3300 | | | 25 | 17 | | | | | 0.6 | 1.3 | | |

L = low range [f_L to $10 f_L$] M = mid range [$10 f_L$ to $f_U/2$] U = upper range [$f_U/2$ to f_U]

Outline Drawing



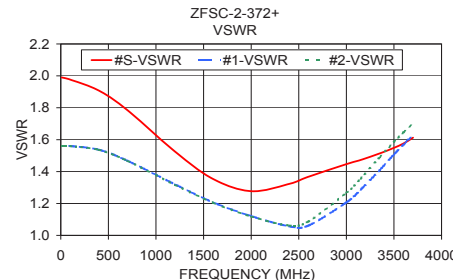
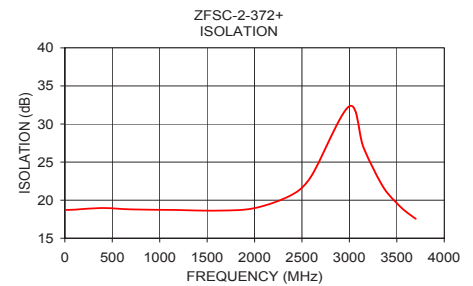
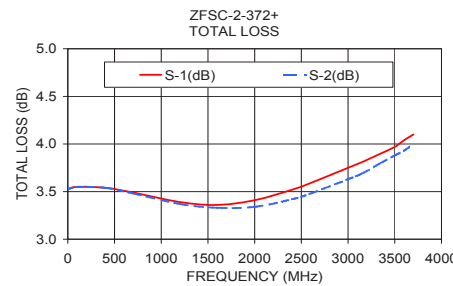
Outline Dimensions (inch/mm)

| | | | | | | | |
|-------|-------|-------|-------|-------|-------|------|-------|
| A | B | C | D | E | F | G | H |
| 1.25 | 1.25 | .75 | .63 | .38 | 1.00 | .125 | 1.000 |
| 31.75 | 31.75 | 19.05 | 16.00 | 9.65 | 25.40 | 3.18 | 25.40 |
| J | K | L | M | N | P | Q | wt |
| -- | -- | .125 | 1.688 | 2.18 | .75 | .07 | grams |
| -- | -- | 3.18 | 42.88 | 55.37 | 19.05 | 1.78 | 70.0 |

Typical Performance Data

| Frequency (MHz) | Total Loss ¹ (dB) | | Amplitude Unbalance (dB) | Isolation (dB) | Phase Unbalance (deg.) | VSWR S | VSWR 1 | VSWR 2 |
|-----------------|------------------------------|------|--------------------------|----------------|------------------------|--------|--------|--------|
| | S-1 | S-2 | | | | | | |
| 10.00 | 3.53 | 3.53 | 0.00 | 18.72 | 0.00 | 1.99 | 1.56 | 1.56 |
| 100.00 | 3.55 | 3.55 | 0.00 | 18.75 | 0.01 | 1.98 | 1.56 | 1.56 |
| 400.00 | 3.54 | 3.54 | 0.01 | 18.97 | 0.00 | 1.91 | 1.54 | 1.54 |
| 700.00 | 3.49 | 3.48 | 0.01 | 18.79 | 0.00 | 1.78 | 1.47 | 1.47 |
| 1200.00 | 3.39 | 3.37 | 0.02 | 18.71 | 0.02 | 1.53 | 1.32 | 1.32 |
| 1600.00 | 3.36 | 3.33 | 0.03 | 18.63 | 0.02 | 1.35 | 1.21 | 1.21 |
| 2000.00 | 3.41 | 3.34 | 0.06 | 18.96 | 0.01 | 1.28 | 1.12 | 1.12 |
| 2400.00 | 3.52 | 3.42 | 0.10 | 20.75 | 0.10 | 1.32 | 1.06 | 1.06 |
| 2600.00 | 3.59 | 3.48 | 0.11 | 23.20 | 0.22 | 1.37 | 1.06 | 1.09 |
| 3000.00 | 3.75 | 3.63 | 0.12 | 32.34 | 0.61 | 1.45 | 1.21 | 1.27 |
| 3150.00 | 3.81 | 3.69 | 0.12 | 26.87 | 0.72 | 1.47 | 1.29 | 1.36 |
| 3350.00 | 3.90 | 3.80 | 0.10 | 21.86 | 0.84 | 1.51 | 1.41 | 1.49 |
| 3500.00 | 3.97 | 3.88 | 0.10 | 19.61 | 0.82 | 1.55 | 1.51 | 1.59 |
| 3600.00 | 4.04 | 3.93 | 0.11 | 18.46 | 0.71 | 1.58 | 1.57 | 1.65 |
| 3700.00 | 4.10 | 4.00 | 0.11 | 17.55 | 0.54 | 1.61 | 1.63 | 1.70 |

1. Total Loss = Insertion Loss + 3dB splitter loss.



electrical schematic



Notes

- Performance and quality attributes and conditions not expressly stated in this specification document are intended to be excluded and do not form a part of this specification document.
- Electrical specifications and performance data contained in this specification document are based on Mini-Circuit's applicable established test performance criteria and measurement instructions.
- The parts covered by this specification document are subject to Mini-Circuit's standard limited warranty and terms and conditions (collectively, "Standard Terms"); Purchasers of this part are entitled to the rights and benefits contained therein. For a full statement of the Standard Terms and the exclusive rights and remedies thereunder, please visit Mini-Circuit's website at www.minicircuits.com/MCLStore/terms.jsp

