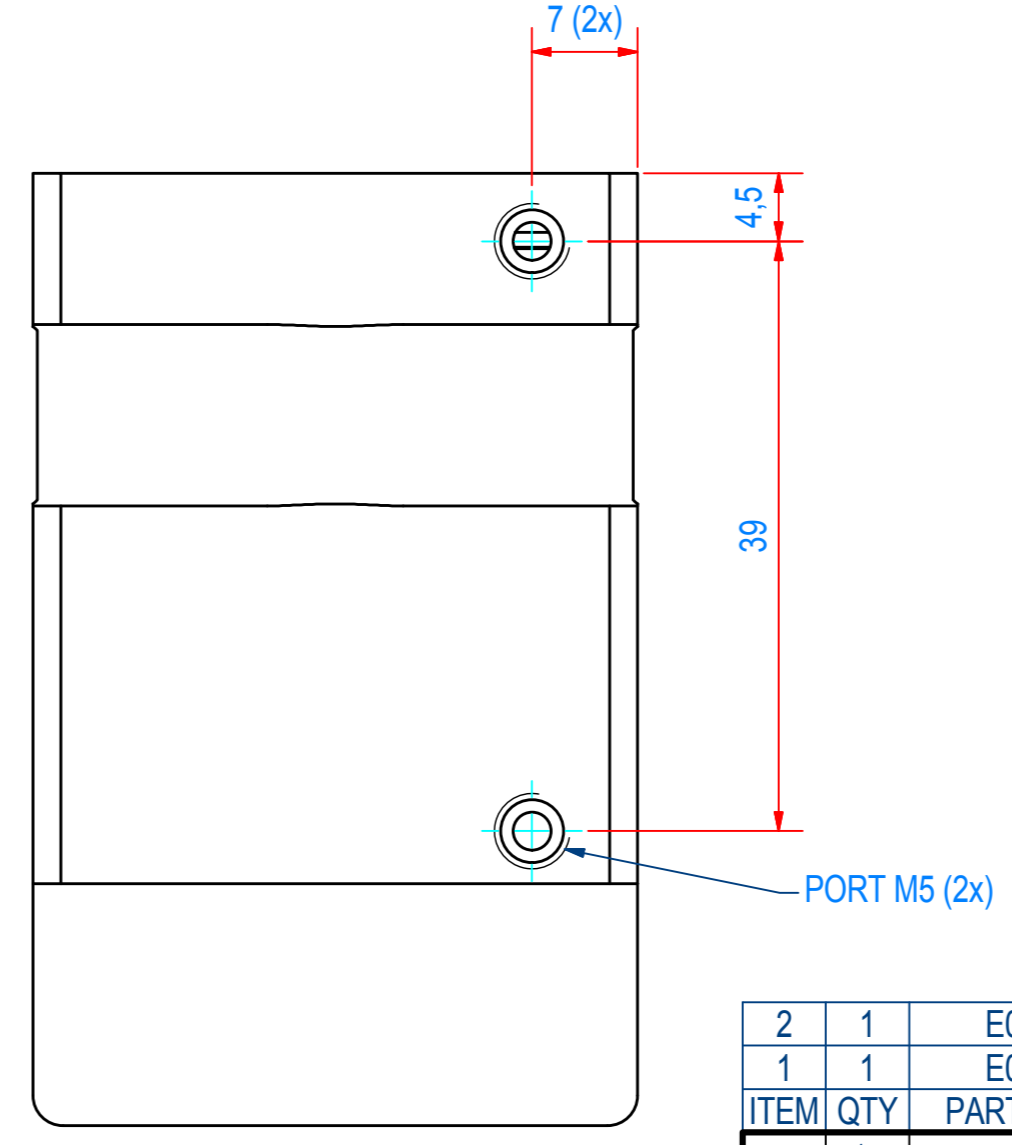
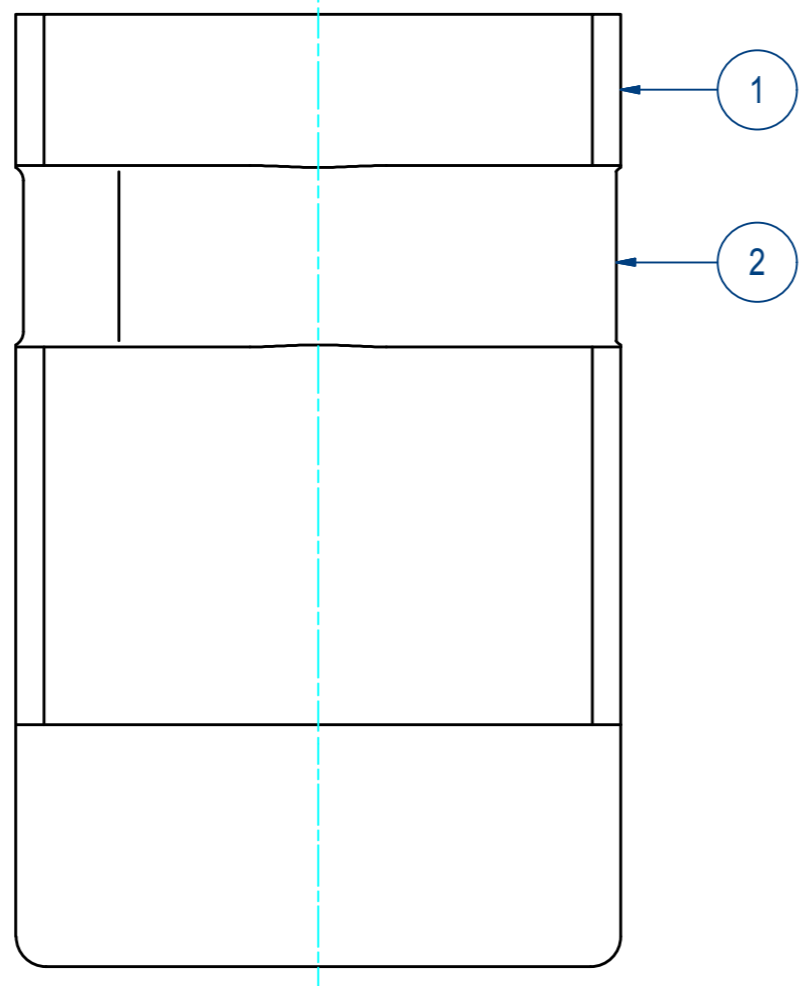
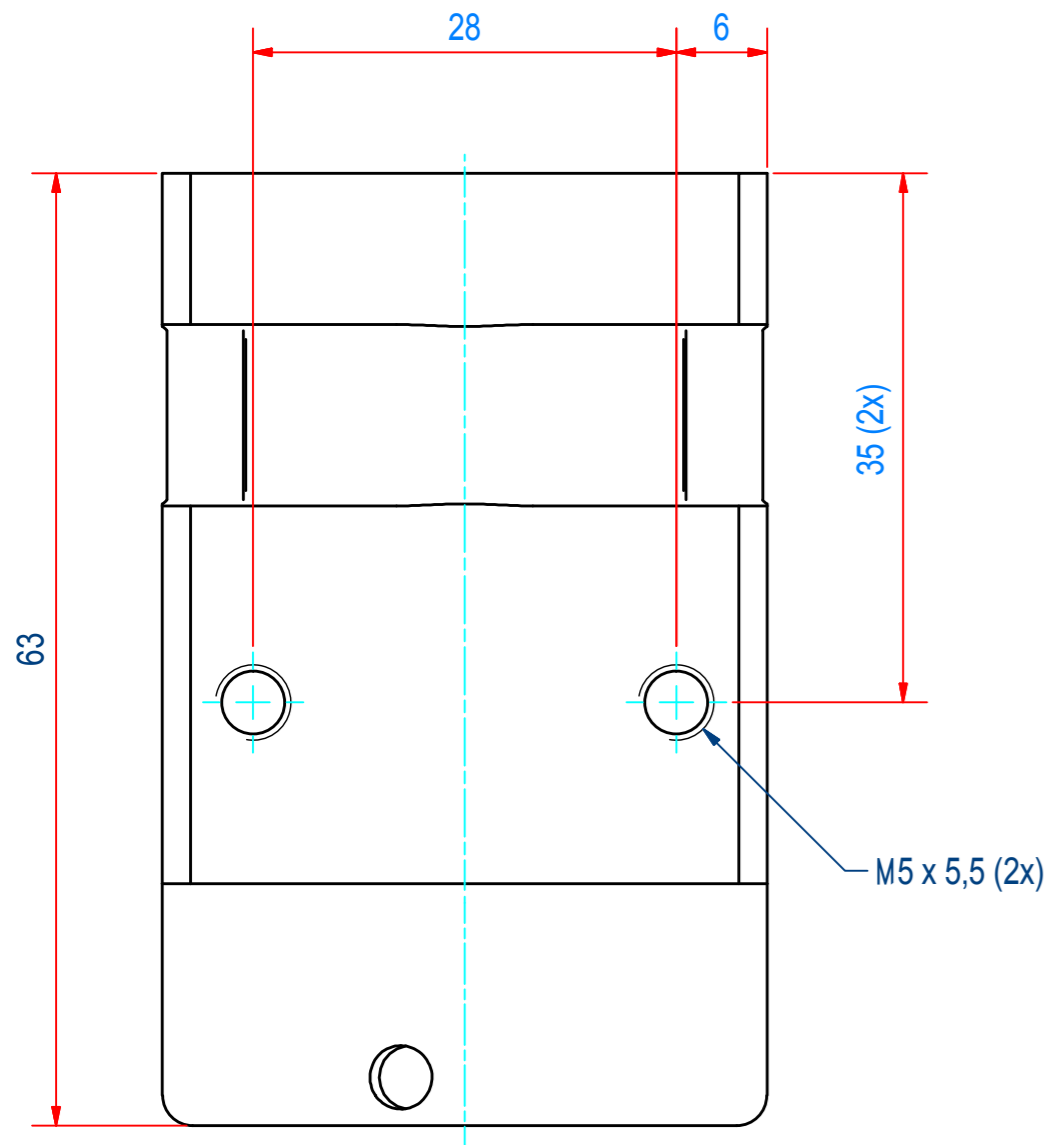
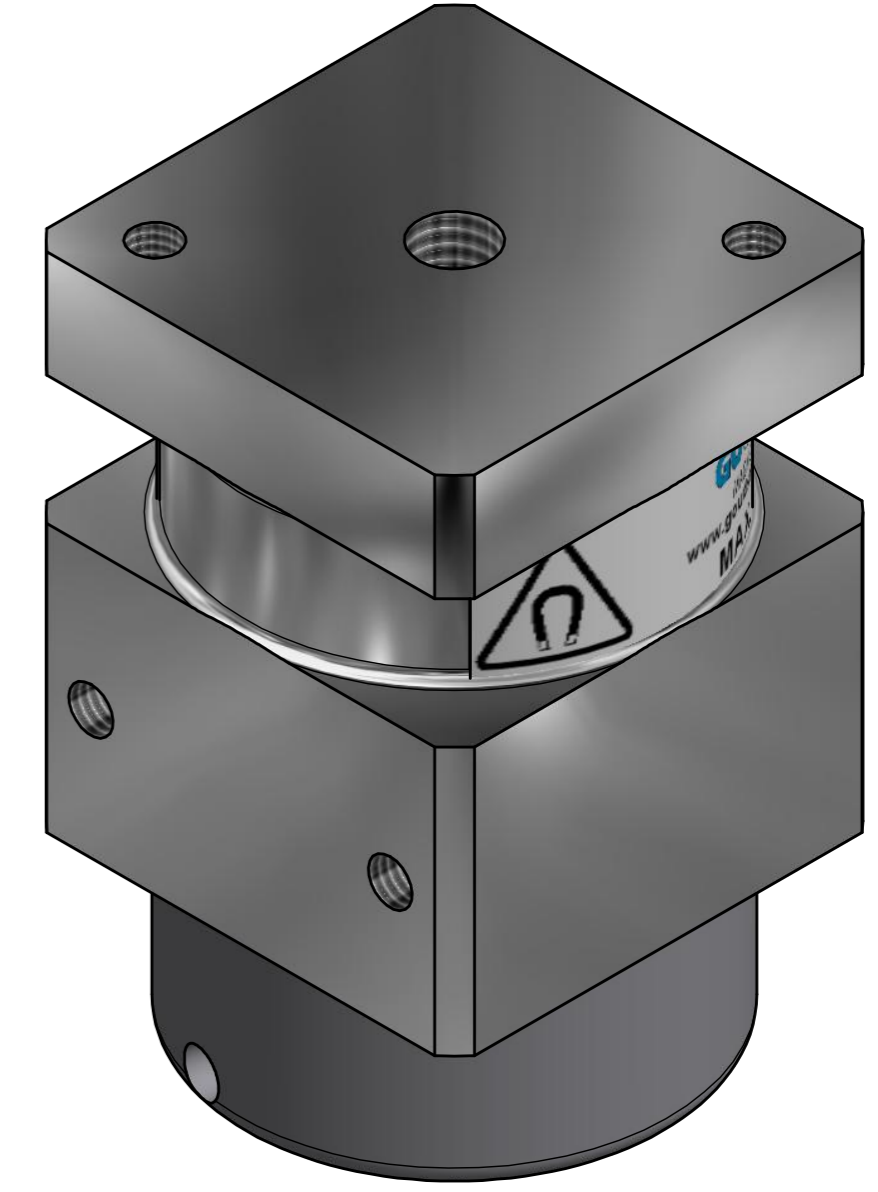
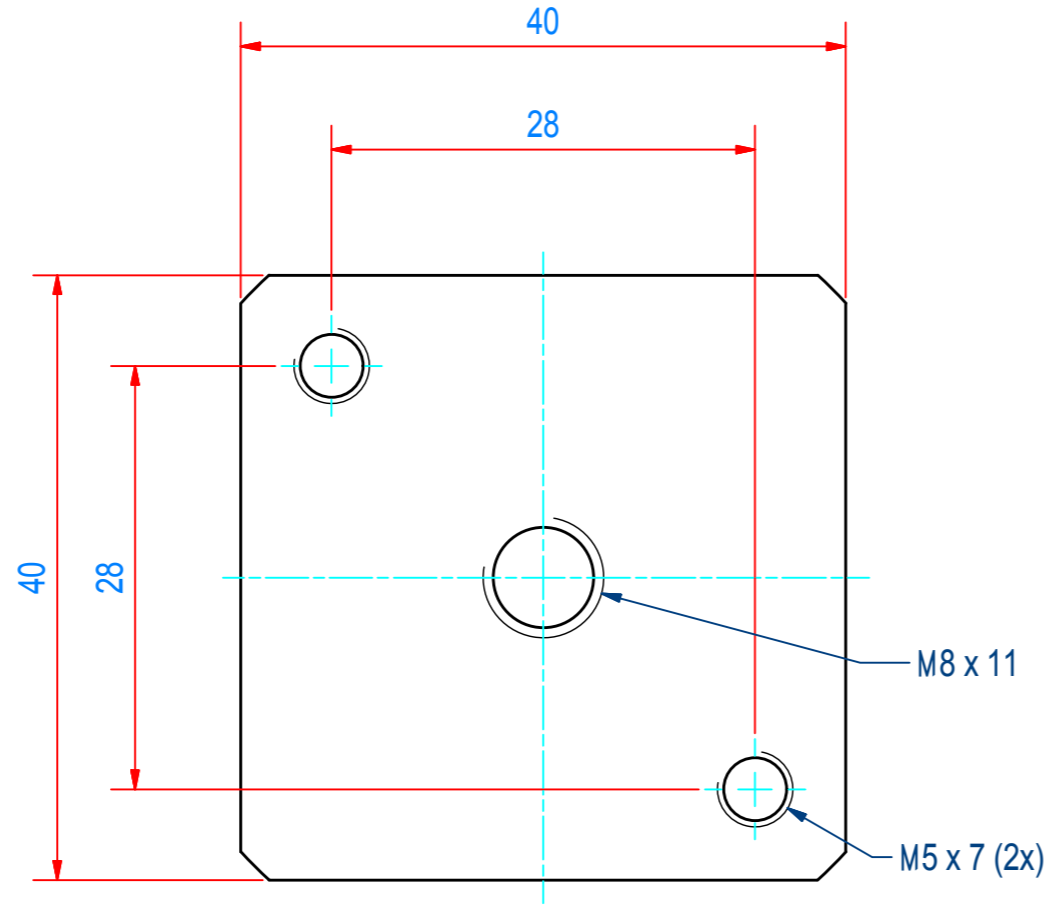


REV	DATE	BY	DESCRIPTION
-	9-7-2013	BS	NEW VAULT, NOTHING CHANGED, IS EQUAL TO OLD REVISION A
A	3-12-2014	GS	MOUNTING ASSY WAS A190496



ITEM	QTY	PART NUMBER	DESCRIPTION	Dimensions
2	1	E0038038	STICKER TPGC040378	
1	1	E0025632	MOUNTING ASSY TPGC040378	
RAW MAT.	1			
QTY		MAT. NUMBER	MAT. DESCRIPTION	LENGTH (mm) WIDTH (mm)
Sheet: A2		Extra info: AMBIENT TEMP. MAX. 120°C		General tolerance: ISO 2768- mK
Drawn: BS		Weight (kg): 0,2		Drawn according: ISO268; ISO1101; ISO2553
Date: 9-7-2013		 GOUDSMIT MAGNETIC SYSTEMS <small>© All rights reserved. Reproduction is not permitted without written permission of GOUDSMIT Magnetic Systems BV</small>		Status: Standard
Spare part: False				Customer reference number:
Quick search: TPGC040		File number: TPGC040378	Rev: A	
Description: HGR-SQ-040-FL-RH-M-F		Part number: TPGC040378	Rev: A	