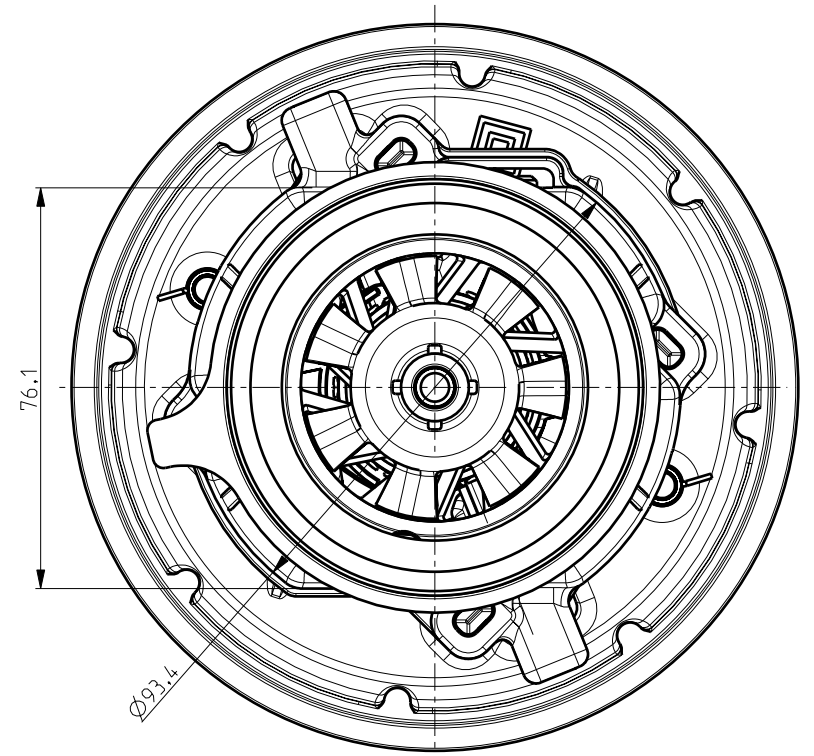
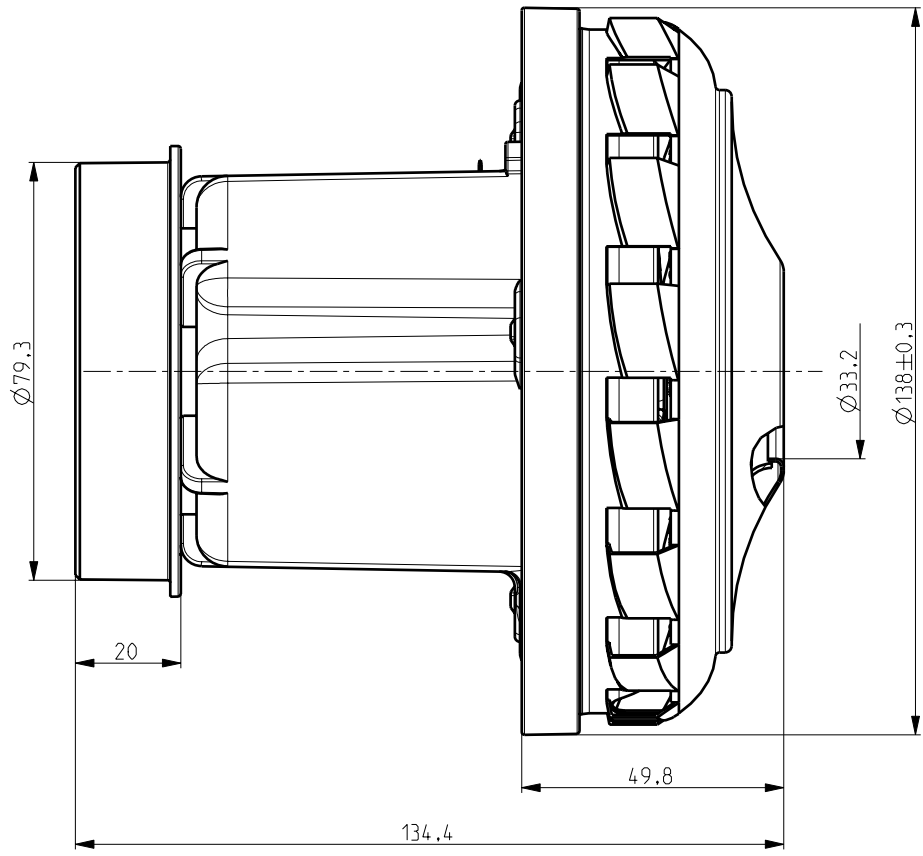



Izdelano s CAD/ProEngineer - ročno spreminjanje ni dovoljeno! Vsak prenos tretjim osebam ali uporaba v nedogovorjene namene ni dovoljena po zakonu o avtorskih pravicah.
 Made with CAD/ProEngineer - changing is not allowed! Any unauthorized copying of this drawing or unauthorized distribution of the information contained herein is prohibited.



1		2		3		4		5		6		7		8		9	
NAPETOST		220-240 V		DVOJNA IZOLACIJA DOUBLE INSULATED													
VOLTAGE																	
FREKVENCA		50/60 Hz															
FREQUENCY																	
NAZIVNA MOČ		1500 W		pri 230V/50Hz													
NOMINAL POWER				at 230V/50Hz													



Oznake natisnjene na SE:
Information stamped on VCM:

DOMEL 467.3.420
 6.490-255.0
 220-240 V 50/60 Hz 
 I.CI.H
 YYWWD S NNNN
 MADE IN SLOVENIA

OSNOVNE ZNAČILNOSTI		TYPICAL CHARACTERISTICS	
IZVEDBA	ENOSTOPENJSKA	FAN SYSTEM	SINGLE STAGE
VLEŽAJENJE	DVA KROGLIČNA LEŽAJA	BEARINGS	DUAL BALL
VRSTA PRETOKA	MIMO MOTORJA	DISCHARGE	BY PASS
SMER VRTENJA	DESNA	DIRECTION OF ROTATION	CW

Tolerance odprtih mer Tolerances without individual indications		ISO 2768 - m		Površinska hrapavost Surface Finishing		Merilo Scale 1:2				Original format ISO 5457 - A3	
Izdelal Designed		Datum/Date 09.01.09		Ime/Name Novinc M.		Naziv Title SESALNA ENOTA VACUUM CLEANER MOTOR		Koda Code 467.3.420		List Sheet Page 3+ 1	
Pregl. Verified		Datum/Date 21.09.09		Ime/Name Rihtaršič J.							
Ozn. Mark		Št. obvestila No. of notice 9128		Datum Date 21.09.09		Ime Name Novinc M.				Otoki 21. 4226 Zelezniki, Slovenija	
										4673420000_SESALNA_ENOTA	