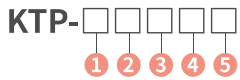




Transducer(TD) converts input signal to 4~20mA and etc

Ordering Information



① Input

- 1 Pt 100Ω
- 2 Pt 50Ω
- 0 Special spec

② Temperature range

- 1 0 ~ 200°C
- 0 Special spec

③ Output

- 6 4 ~ 20mA DC (Load resistance 500 Ω max.)
- 7 0 ~ 1mA DC (Load resistance 10kΩ max.)
- 8 1 ~ 5V DC (Load resistance 200 Ω min.)
- 9 0 ~ 10V DC (Load resistance 500 Ω min.)
- 0 Special spec

④ Auxiliary supply

- 1 AC 110/220V(* Single output only)
- 2 AC 90 ~ 260V, DC 110V, 220V
- 3 DC 24V(* Single output only)

⑤ Number of output

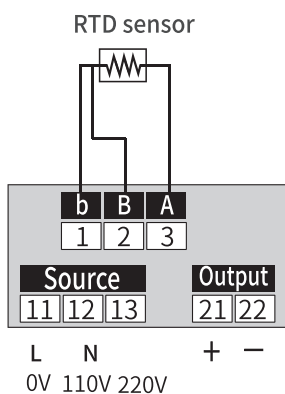
- S Single output
- T Double output

Technical Data

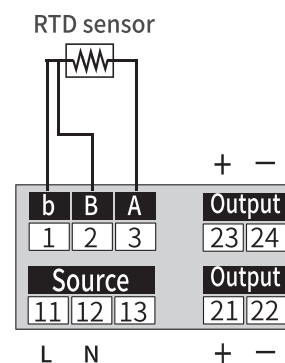
Accuracy Class	0.5	Withstand Voltage	2kV-1min
Weight	500g	Surge impulse Voltage	Current (1.2μs / 50μs,5kv) Voltage (8μs / 20μs)
Operating temperature	0~55°C		
Load resistance	0~500Ω / 0~10kΩ / 200Ω Max. / 500Ω Max.		

Connection Diagram

Single output

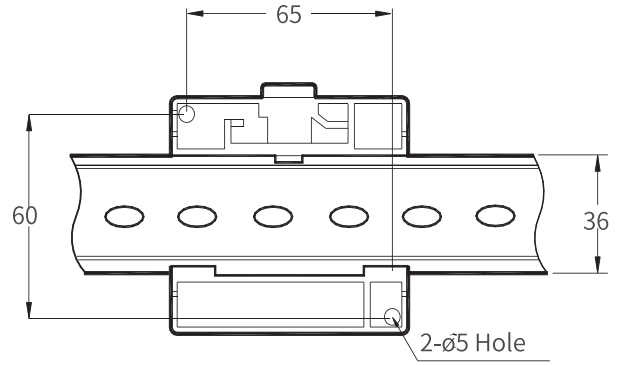
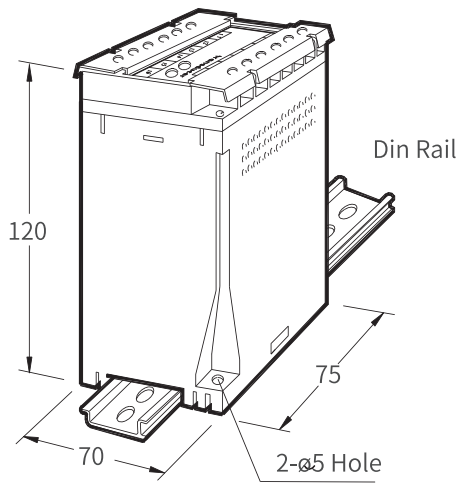


Double output



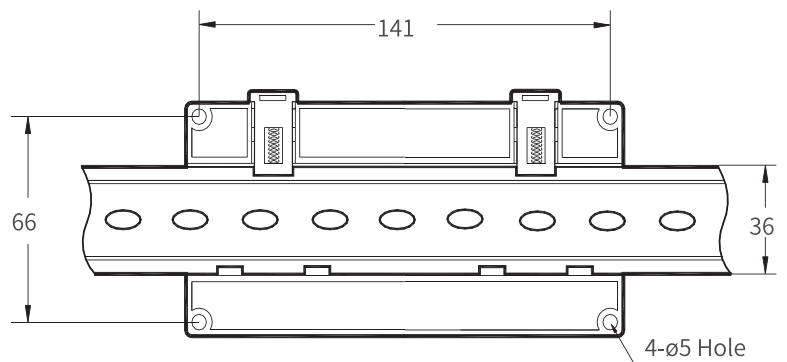
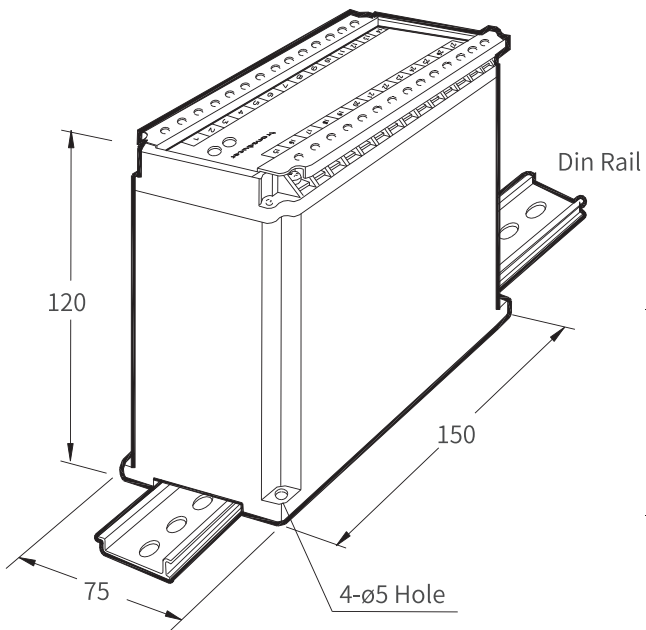


L Type



Unit : mm

LL Type



Unit : mm