

## SSR 02-134-064-20-H-AC2-DP2-0.5-J12

## Measuring Light Curtains

Measuring Light Curtains

**Compatible Transmitter:**

SST 02-134-064-20-H-1D1-0.5-J5



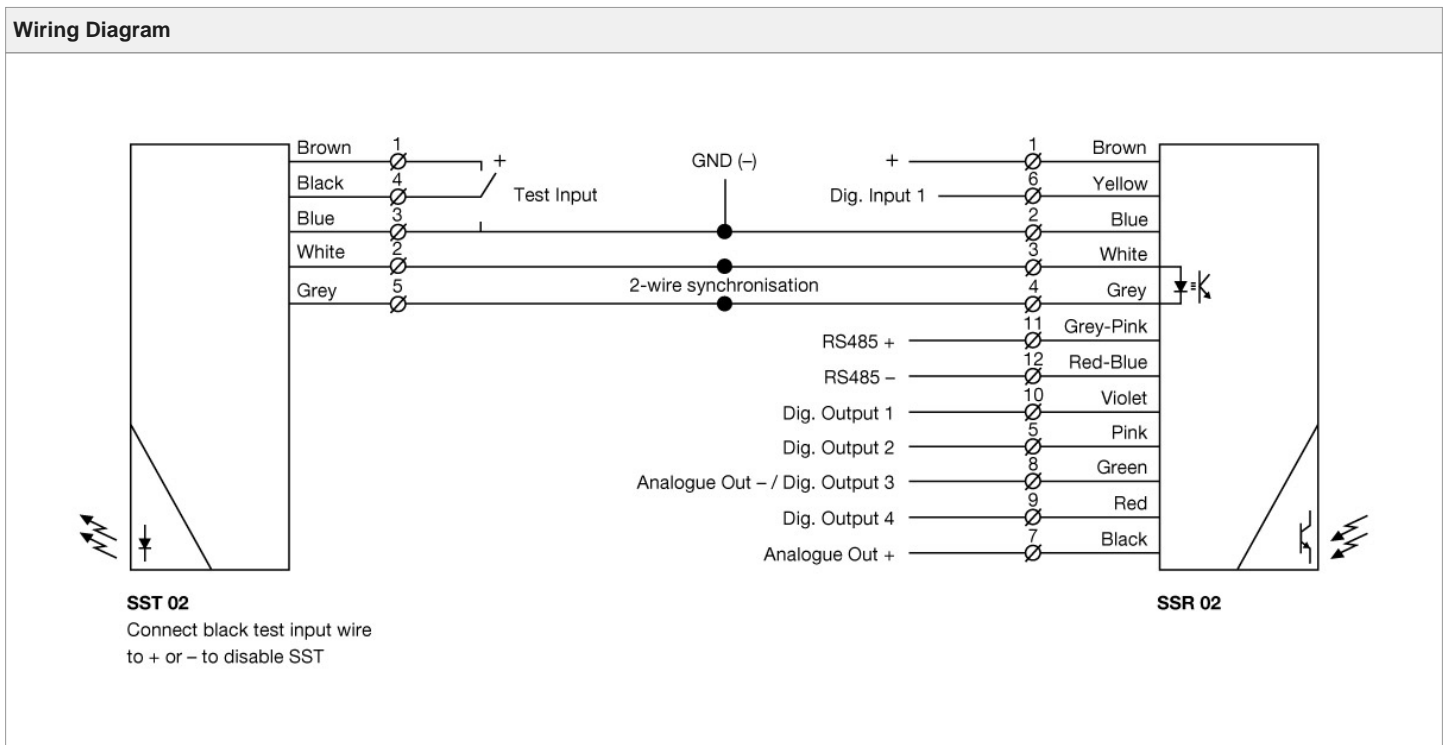
| Product Data    |                                   |
|-----------------|-----------------------------------|
| Channel Spacing | 20 mm                             |
| Function        | Receiver                          |
| Operation Mode  | Thru Beam                         |
| Supply Voltage  | 18 - 30 V dc                      |
| Connection      | 0.5 m cable with 12 pin, M12 plug |
| Sensing Range   | 10 m                              |
| Output          | 2 x PNP + Analog. (RS-485)        |
| Output Status   | N.C. / N.O.                       |
| Length          | 1340 mm                           |
| Active Height   | 1265 mm                           |
| Housing         | 33 x 36 mm                        |
| Features        | RS-485 communication port         |

| Technical Data                 |  |
|--------------------------------|--|
| Supply Voltage                 | 18 - 30 V dc   |
| Reverse Polarity Protected     | Yes  |
| Short Circuit Protected        | Yes  |
| Current Consumption            | 75 mA  |
| Output Type                    | 2 x Digital Output (Transistor) PNP <br>Analogue Out. 4-20 mA / 0-10 V (2-wires) |
| Output Rating                  | Digital Output: 100 mA <br>Analogue Output: Current <600 Ohm - Voltage >1kOhm    |
| Number of Channels             | 64   |
| Number of Cross Scanning Beams | 190  |
| Number of Parallel Beams       | 64   |
| Distance, Beams Pinch Point    | 10 mm  |
| Response Time                  | Beams: Parallel 9,8 ms / Cross 24,8 ms   |
| Power On Indicator             | Green LED  |
| Output Indicator               | Yellow LED   |
| System Status Indicator        | Red LED  |

|                              |                            |
|------------------------------|----------------------------|
| Profile Dimensions (w x d)   | 33 x 36 mm                 |
| Housing Material, Front Lens | Polycarbonate              |
| Housing Material, Profile    | Aluminium (black anodised) |
| Cable                        | 12 x 0,2 mm <sup>2</sup>   |
| Cable Sleeve                 | PVC Ø 5,9 mm               |

| Environmental Data    |                    |
|-----------------------|--------------------|
| Vibration             | 10 - 55 Hz, 0,5 mm |
| Shock                 | 30 g               |
| Operation Temperature | -30 to +60 °C      |
| Storage Temperature   | -40 to +80 °C      |
| Sealing Class         | IP 67              |
| Light Immunity 5°     | > 100 000 lux      |

| Approvals   |
|---|
|  |

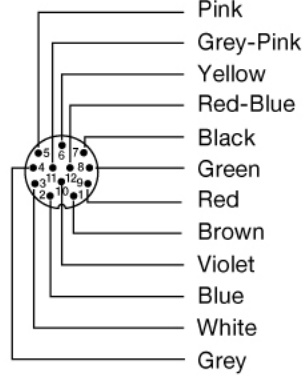


Connections

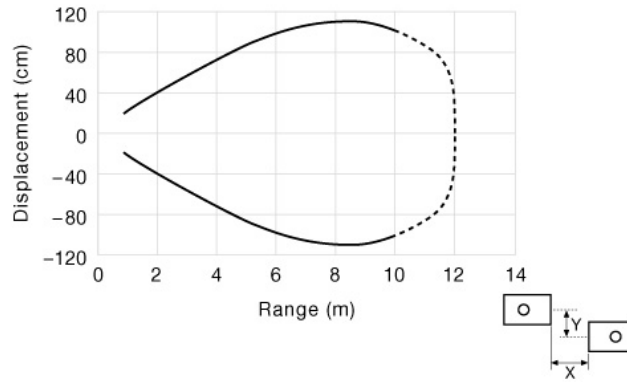
12 pin, M12

Sensor Plug  
(Male)

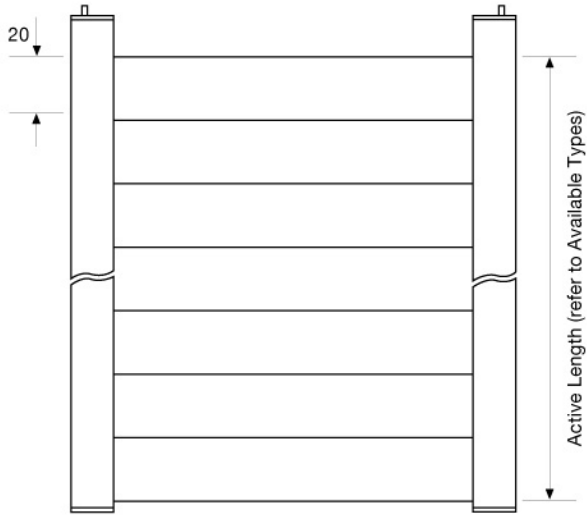
Cable Plug  
(Female)



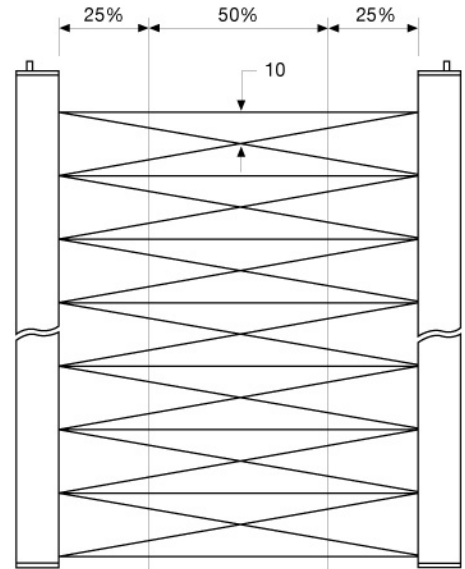
Parallel Displacement



Beam Patterns



Parallel Beams



Cross Beams

20 mm channel spacing

Dimensions

