

article number **IN991070**  
 design **M80 x 1.5**  
 sensing range non-flush **50mm**



- ✓ housing made of stainless steel
- ✓ high sensing range
- ✓ integrated amplifier
- ✓ short-circuit and reverse polarity protection
- ✓ 2 years warranty
- ✓ 2m silicone cable

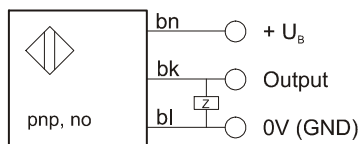
**usable up to 160°C**  
**high sensing range**



**technical data**

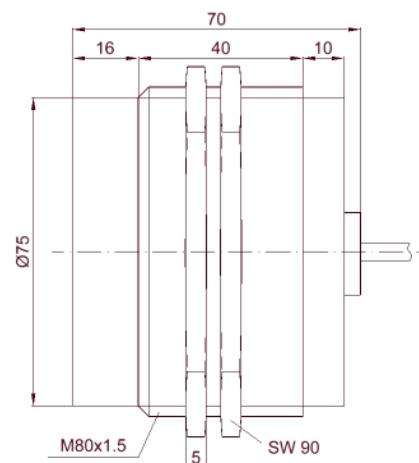
sensing range $S_n$	50mm, necessary metal free zone: 100mm
real sensing range $S_r$	$S_n \pm 20\%$
voltage drop (max. load)	< 2V
supply voltage	10 ... 40V DC
max. output current	150mA
switching frequency	50Hz
current consumption	< 8mA (supply voltage 24V DC)
degree of protection (EN60529)	IP67
ambient temperature	-25°C... +160°C
output function	npn, no
connection	2m silicone cable
hysteresis	3% - 20% of $S_n$

**connection**



bn=brown, bk=black, bl=blue

**dimensional drawing**



**Warning:** Never use these devices in applications where the safety of a person depends on their functionality!