

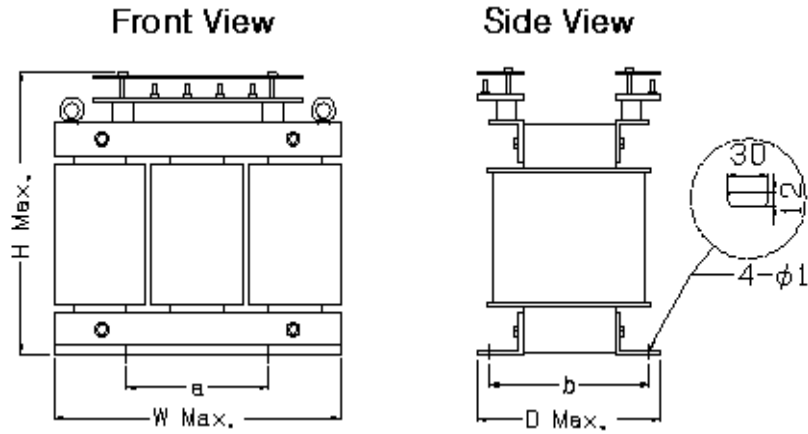
SPECIFICATION

TRANSFORMER

RoHS / CE Marking

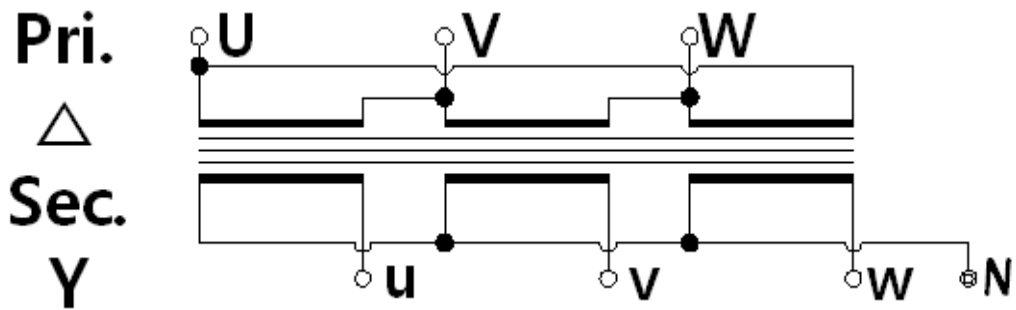
CAPACITY : 3Ø 100KVA Type.BH3BKH1N100KEN

DIMENSION (m/m)



Type	Capacity	W Max.	D Max.	H Max.	a	b	4-Ø1	Weight
BH3BKH1N100KEN	100KVA	660	465	670	460	360	12×30	470Kg

CONNECTION DIAGRAM



Type	Dry	Cooling system	Air Cooled self
Insulation class	H	Temperature rise limit(K)	125°C
Frequency	50Hz	Phase	3 Ø
Primary volt	400V	Primary current	144A
Secondary volt	400V N 230V	Secondary current	144A

Voltage regulation	Less than 3%	Insulation resistance test	DC500V → over 100MΩ
Dielectric strength	AC 3KV, 1Min		

TITLE. SPECIFICATION FOR TRANSFORMER (3Ø TRANSFORMER 100KVA)	0	15.11.12	<i>K.H.Ko</i>	<i>S.H.Shin</i>	<i>H.B.Lee</i>
	Rev.No.	Date	Drawn	Checked	Approved