

Extremely rugged and compact RTD probe with moulded on (IP 67) 4 pins connector with M12 male thread. Suitable to give a fast response time despite low temperature and short immersion length.

TRC COMPACT RESISTANCE TEMPERATURE DETECTOR



Installation sample

TECHNICAL DATA

sensing element:
single RTD 1 Pt 100 Ω at 0 °C
to IEC 751 class B or class A

type of construction:
screw in RTD probe for direct
immersion, one piece
construction

case material:
AISI 316 s.s.

temperature range:
-50 ÷ 120°C

process connection
1/8" straight gas male thread
(to UNI ISO 228)

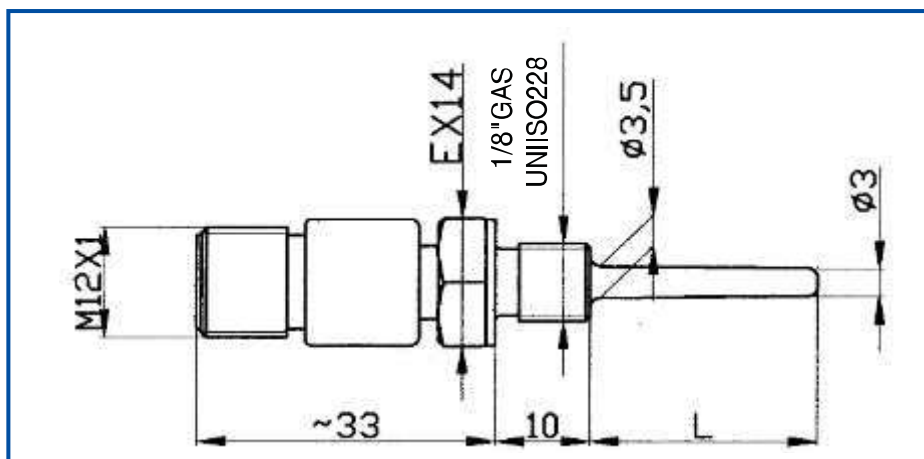
connection:
4 pins male connector with body
in moulded Nylon and M12X1
metal thread (to DIN-VDE 0627)
with degree of protection IP 67
(T° Max 90°C)

insulation resistance:
100 M Ω with 100 Vd.c.

response time*:
less than 5 seconds

* Test in water to IEC 751. Time for
reaching 63% of thermal gap.

marking:
each probe is permanently
marked with the exact ohmical
calibration test value at 0 °C,
the manufacturing date and a
traceability code



CODE TO ORDER FROM STOCK:

TRC	P1			X
-----	----	--	--	---

ACCURACY CLASS
to IEC 751

B	B
A	A

LENGTH L (mm)

13	1
24	2

Class	ACCURACY AT 0°C	
	OHM	°C
B	± 0,12	± 0,3
A	± 0,06	± 0,15



Note. The shown products and codes are normally available for delivery from Italcoppie's stock. Any other execution upon request. We reserve the right for technical modifications without prior notice.

CONNECTORS AND RTD EXTENSION CABLES

TECHNICAL DATA FOR CONNECTORS

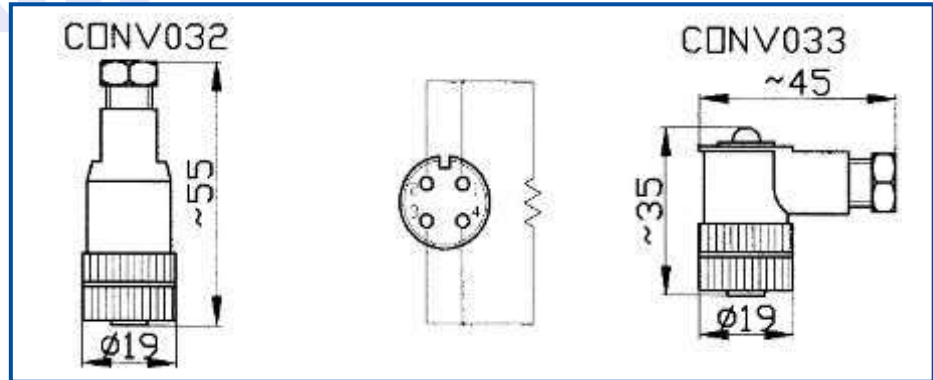
types:

with straight outlet (CONV032)
or with elbow outlet (CONV033)

connection:

female connector, plug in and screw on type, with Nylon body and 4 terminal pots with screws, M12X1 metal thread (to DIN-VDE 0627) and cable gland with degree of protection IP 67 (T° Max 90 °C)

Connectors having same features as a common connection head. They allow an easy use of several kind of cables (with different lengths and type of insulation) by means of terminal pots with screws, granting a high degree of protection (IP 67).



CODE TO ORDER FROM STOCK:

straight outlet	CONV032
elbow outlet	CONV033

TECHNICAL DATA FOR RTD EXTENSION CABLES

types:

with straight or elbow type connector

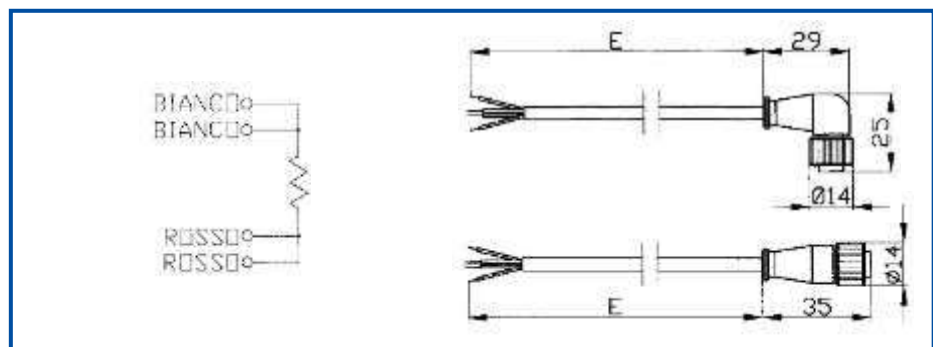
cable data:

stranded copper wires 4X0,20 mm² (24AWG) with single conductor and overall silicon rubber insulation, colour-coding to IEC 751

connection:

4 pins female connector, plug in and screw on type, with body in moulded Nylon and M12X1 metal thread (to DIN-VDE 0627), degree of protection IP 67

RTD extension cable with moulded on (IP67) 4 pins connector with M12 female screw lock



CODE TO ORDER FROM STOCK:

PRV		AC		X	X	X
------------	--	-----------	--	----------	----------	----------

CABLE LENGTH E=mm

1500	1500
3000	3000
5000	5000

TYPES

Straight	C
Elbow	D

temperature limit:

90°C for the connector; 180 °C for the cable

Note. The shown products and codes are normally available for delivery from Italcoppie's stock. Any other execution upon request. We reserve the right for technical modifications without prior notice.