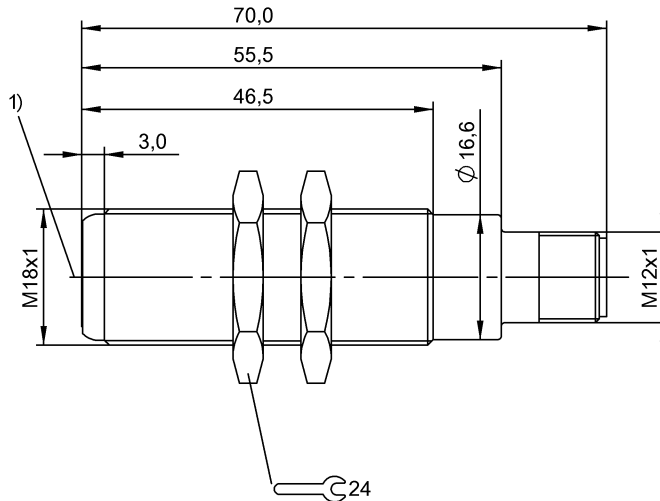
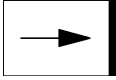


**BLE 18E-PS-1P-SA1-S4**  
**Ordering code: BOS00UK**

PNP (1x), NO (pin 4)  
 Infrared  
 DC, direct current

**BALLUFF**  
*sensors worldwide*

Through-beam sensor  
 Receiver  
 Series 18E  
 bis 16 m



**Characteristic data**

Short-circuit protected	yes
Degree of protection as per IEC 60529	IP68
Protection class	II
Protected against polarity reversal	yes
Protected against reverse connection	yes
Reference emitter	BLS 18E-XX-1P-..
Switching freq. f max.	100 Hz

**Optical data**

Switching function, optical	NO: dark-on
Receiving aperture	Ø12.0 mm
Light type	Infrared
Ambient light max.	2,000 Lux

**Electrical data**

Operating voltage	
Rated operating voltage Ue DC	24,0 V
Effective operating current Ie	200 mA
Rated insulation voltage Ui	250 V AC V
Ready delay tv max.	10 ms
Utilisation category	DC 13
Load capacitance max. (at Ue)	1 µF
Output resistance Ra	33 kOhm
Off-state current Ir max.	50 µA
Ripple max. (% of Ue)	15 %
Switching output	PNP (1x)
Switching function	NO (pin 4)
Turn-off delay toff max.	5,00
Turn-on delay ton max.	5,00
No-load current max. Io at Ue	15

Voltage drop Ud max. (at Ie)

2,5

**Mechanical data**

Connector type	M12x1-S04
Eff. switching distance Sr	16,000 mm
Shock rating	Half-sinus, 30gn, 11ms, 3x6
Vibration rating	10-55 Hz, 1 mm ampl., 3x30 min
Temp. drift max. (% of Sr)	10,0
Ambient temperature	-5...75 °C
Degree of contamination	3
Sensing surface material	PMMA, coated
Housing material	Stainless steel 1.4571
Mounting type	Nut M18x1
Contact surface protection	Gold plated
Design	Cylinder, straight optics
Operating range Ro	0...16 m
Range Sn	Sn = 16 m

**Basic data**

Connection	Connector, M12x1-S04
Basic standard	IEC 60947-5-2
Base type	BLE 18E-PS-1P-E5-D-S4
The sensor is functional again after the overload has been eliminated.	
Operating object (test target): Gray card, 200 x 200, lateral approach	
Order accessories separately.	
With connector, e.g. BKS-S 20-... total length = switch length + 18 mm.	
Only for NFPA 79 applications (machines with a supply voltage of maximum 600 volts). Device shall be connected only by using any R/C (CYJV2) cord, having suitable ratings.	
Base type deviation	Front disc made of PMMA

**BLE 18E-PS-1P-SA1-S4**  
**Ordering code: BOS00UK**

Through-beam sensor  
Receiver  
Series 18E  
bis 16 m

PNP (1x), NO (pin 4)  
Infrared  
DC, direct current

**BALLUFF**  
*sensors worldwide*



Definitions see main catalog

subject to change

