

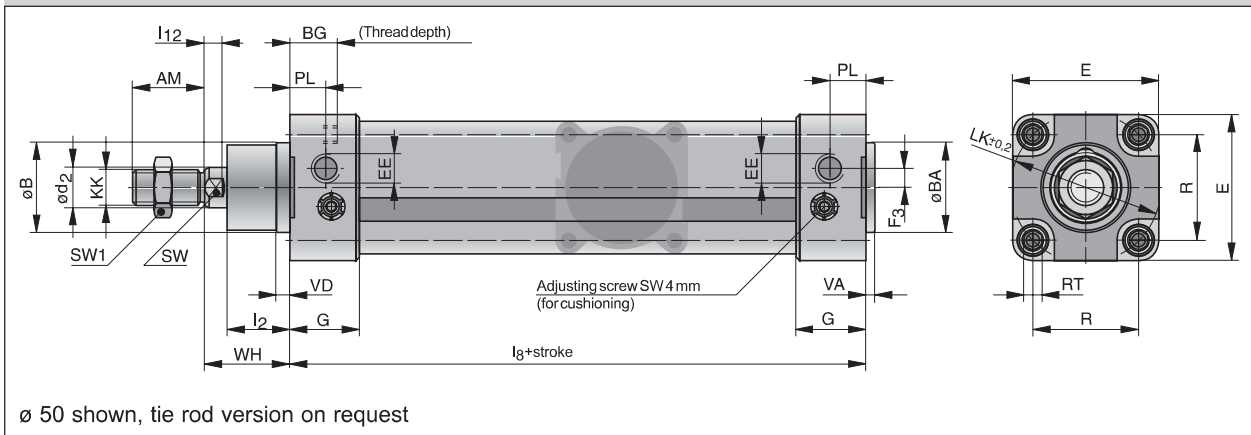
**Weight (mass) kg  
AZ-Basic Cylinder**

Mounting	Cylinder-Ø		32		40		50		63		80		100	
	*1	*2	1	2	1	2	1	2	1	2	1	2	1	2
Basic cylinder	0.65	0.20	1.20	0.312	1.60	0.422	2.40	0.532	3.50	0.78	5.10	1.03		
A	0.85		1.35		1.80		2.55		4.25		5.50			
B	0.75		1.20		1.65		2.35		3.85		5.20			
BA	0.85		1.30		1.70		2.55		4.25		5.60			
BAS	0.80		1.30		1.70		2.45		4.15		5.50			
C	0.80		1.20		1.65		2.40		3.95		5.50			
D	0.80		1.20		1.65		2.40		3.95		5.50			
EN	1.05		1.80		2.40		4.50		5.20		7.10			

\*1 = Cylinder weight (100 mm stroke)

\*2 = Weight per further 100 mm stroke length

**Dimensions for Basic AZ Cylinder**



**Dimension Table (mm) for Basic AZ Cylinder**

Cyl. Ø	AM	øB d11	øBA d11	BG	ød <sub>2</sub>	E	EE	F <sub>3</sub>	G	KK	I <sub>2</sub>	I <sub>8+stroke</sub>	I <sub>12</sub>	øLK	PL	R	RT	SW	SW1	VA	VD	WH
32	20	30	30	16	12	47	G1/8	4.5	30.5	M10 x1.25	20	94	6	46	9.8	32.5	M6	10	17	4	5	26
40	24	35	35	16	16	55	G1/4	5.3	34	M12 x1.25	20.5	105	6.5	54	14.5	38	M6	13	19	4	4.5	30
50	32	40	40	16	20	65	G1/4	8.5	31	M16 x1.5	28	106	8	66	16	46.5	M8	17	24	4	6	37
63	32	45	45	16	20	78	G3/8	8	33	M16 x1.5	26	121	8	80	16	56.5	M8	17	24	4	6	37
80	40	45	45	16	25	95	G3/8	9	35.5	M20 x1.5	32.5	128	10	102	20.5	72	M10	22	30	4	6	46
100	40	55	55	16	25	115	G1/2	13	37	M20 x1.5	37.5	138	10	126	19	89	M10	22	30	4	6	51

For dimensions for mountings see 2.29.001E-4