

# PRODUCT DATA SHEET

ACKN.: 12/1541/GFC REV: 3 ITEM: 04 Q.TY: 1

CUSTOMER: TYCO VALVE

LABEL LANGUAGE English



ENGINEERING: ALSTOM POWER ITALIA S.P.A.

END USER:

ACTUATOR SPECIFICATIONS:

GENERAL DATA	AMBIENT TEMP. (°C)	-10/+50	MEDIUM SUPPLY	Air	VALVE DATA	MANUFACTURER	TYCO VALVE	
	POWER SUPPLY FROM	External	AV. PIPELINE SUPPLY			TYPE	Swing Check	SIZE/CLASS 18"-600
	WORKING PRESS. (MPa)	Min. 0,6	Norm.	Max. 0,9		TOP MOUNTING DRAWING	TT028 Rev.41 SD18-0DA	
	OIL TYPE	N/A				LINE AXIS	Horizontal	VALVE STEM Horizontal

## ACTUATOR MODEL RPS#60-S2-B1-CL

ACTUATOR DATA	ADAPTOR TYPE	Spool piece	PERFORMANCE TABLE	BREAK TO OPEN ( 0 DEGR.)	729	0,6
	SPOOL PIECE (CLOSED TYPE)	N/A		END TO OPEN (90 DEGR.)	493	0,6
	POWER SUPPLY INLET SIZE	1/4" NPT		RUNNING (45 DEGR.)	267	0,6
	PILOT SUPPLY INLET SIZE	N/A		BREAK TO CLOSE (90 DEGR.)	481	Spring
	PAINTING PROCEDURE	SYSTEM 1		END TO CLOSE ( 0 DEGR.)	267	Spring
	COLOUR	5010		DYNAMIC. AT DEGR IN		
	MANUAL OVERRIDE TYPE	N/A		VALVE SAFETY FACTOR		
	OIL TYPE	N/A		VALVE M.A.S.T.	Nm	
	MOUNTING POSITION	Parallel		ACTR. MAX ALLOWABLE OPERATING TORQUE		2000 Nm
	DISPLACEMENT (L/STROKE)	4		ACTR. STRUCTURAL TORQUE		Nm

LIMIT SWITCHES	ENCLOSURE MATERIAL	WEST LOK - ALUMINIUM	HAZARDOUS AREA PROTECTION	Switch-II 2G EEx-ia IIC T6- (Box Label- Intrinsically Safe Circuit)	IP 66/68
	CABLE ENTRY SIZE	3/4" NPT	Q.TY 1	SWITCH/SENSOR MAKE/MODEL	Pepperl+Fuchs NJ2-12GK-N
	SWITCHES Q.TY	Open 2	Close 2	Int. N/A Set at	CONTACTS TYPE

CONTROL UNIT	CONTROL SCHEMATIC	SPADA076	Rev. 0	PNEUMATIC FITTINGS	Material: Aisi 316	Type: Double Ferrule	
	WIRING DIAGRAM	SEADA114	Rev. 0	PNEUMATIC TUBING	Material: Aisi 316L	Type: Metric	
	WIRING DIAGRAM	SEAAW001	Rev. 0	HYDRAULIC FITTINGS	Material: N/A	Type: N/A	
	WIRING DIAGRAM		Rev.	HYDRAULIC TUBING	Material: N/A	Type: N/A	
	CONTROL UNIT TYPE	panel		PN./HYDR. COMP. MAT.	Aluminium +Brass		
	CONTROL UNIT MATERIAL	Aisi 316	IP	CONTROL UNIT MOUNTING	On Actuator		
	SOLENOID VALVE	BODY MATERIAL	Brass	VOLTAGE	125V DC	COIL CLASS	H
		ENCLOSURE MATERIAL	Aluminium	SURGE SUPPR. DIODE		CABLE ENTRY	STD
	TERMINAL BOX	HAZARDOUS AREA PROTECTION	Ex d IIC T6/T5		IP	IP 67	
		MATERIAL	N/A	CABLE ENTRY	N/A	Q.TY	N/A
	TANKS	HAZARDOUS AREA PROTECTION			IP	N/A	
		EXECUTION	N/A	MATERIAL	N/A	SAFETY TANK VOLUME	N/A Litres
	TANK ACCUMULATOR	CHARGE PRESS.	N/A MPa	TANK STROKE NUMBER	N/A	TANK MOUNTING	N/A
		TANK FOR GPO					
	SETTINGS:	RELIEF VALVE MATERIAL	N/A	SETTING	MPa		
PRESS. REGULATOR (+-5%)	0,6 MPa	POSITIONER SIGNAL OPEN/CLOSE	N/A	N/A			
HIGH PRESSURE PNEUM. SWITCH	N/A MPa	POSITION TRANSMITTER OPEN/CLOSE	N/A	N/A			
LOW PRESSURE PNEUM. SWITCH	N/A MPa	LINE BREAK SETTING	N/A	MPa/MIN			
ELECTRIC PRESS. SWITCH	N/A MPa	TORQUE LIMIT SWITCH SETTING	N/A	Nm			

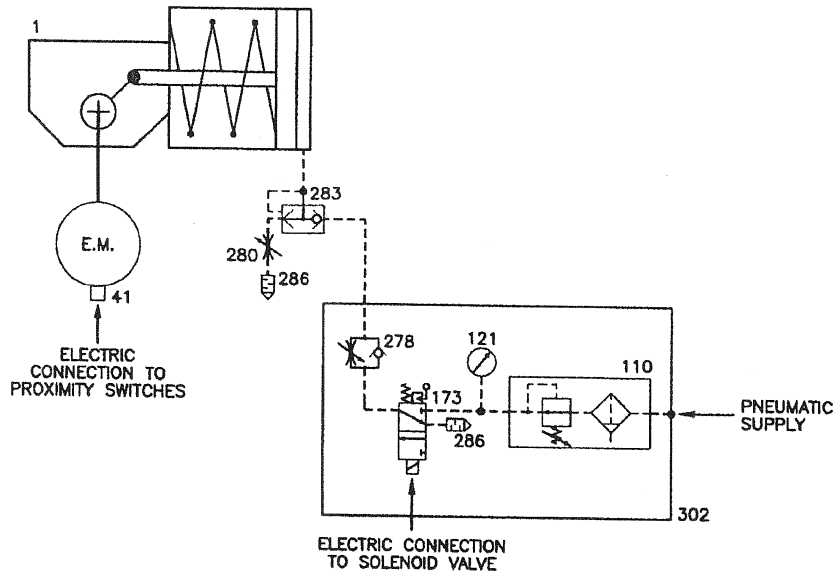
SPECIAL	OIL CLEANLINESS LEVEL	100 CYCLES TEST	LIQUID PENETRANT	N/A	LABEL ON COMPONENTS	N/A
	3.1 MATERIAL CERT. FOR CYL.		3.1 MATERIAL CERT. FOR		SPECIAL NI. PLATING FOR CYL. (75 µm)	N/A
	VITON SEALS	N/A	FLUOROSILICON SEALS	No	PED DIRECTIVE 97/23 CATEGORY	N/A

TAG NUMBERS

NOTES  
 SOV Asco NF 8327B001MS  
 Actuator WITHOUT COUNTERWEIGHT  
 Coupling bolts with GROWER WASHER



P. BIFFI ITALIA s.r.l.  
*[Handwritten signature]*



**ELECTRIC REMOTE CONTROL TO OPEN**  
 ENERGIZE PERMANENTLY THE SOLENOID VALVE 173 AND RESET IT MANUALLY.  
 THE OPENING TIME IS ADJUSTABLE BY THE FLOW REGULATOR 278.

**ELECTRIC REMOTE CONTROL TO CLOSE**  
 DE-ENERGIZE THE SOLENOID VALVE 173  
 THE AIR IS EXHAUSTED FROM THE CYLINDER THROUGH THE QUICK EXHAUST VALVE 283.  
 NOTE: THE CLOSING TIME IS ADJUSTABLE BY THE EXHAUST FLOW REGULATOR 280.

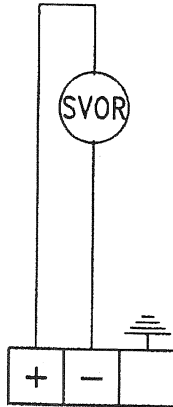
- 1 SINGLE ACTING SPRING RETURN PNEUMATIC ACTUATOR
- 41 ELECTRIC PROXIMITY SWITCHES
- 110 FILTER REGULATOR
- 121 PRESSURE GAUGE
- 173 3/2 N.C. DIRECT ACTING SOLENOID VALVE + MAN.RESET
- 278 UNIDIRECTIONAL FLOW REGULATOR (ADJUSTABLE SETTING)
- 280 EXHAUST FLOW REGULATOR
- 283 QUICK EXHAUST VALVE
- 286 DUST EXCLUDER
- 302 PANEL

NOTE:  
 THE DIAGRAM IS DRAWN WITH SOLENOID VALVE COIL NOT ENERGIZED.



PNEUMATIC CONNECTION

Rev. 2	Date 30/09/14	By <i>GF</i>	Approved <i>GuD</i>	Description REVISED ITEM 110
Rev. 1	Date 27/07/11	By GF	Approved GuD	Description REVISED AS PER CUSTOMER COMMENTS
AutoCad 2009	Path T:\SCP		<b>SPRING TO CLOSE PNEUMATIC ACTUATOR</b>	
	-OPERATING DIAGRAM-		Drawing Number <b>SPADA076</b>	
		File SPADA076	Date 05/01/01	
		By GF	Approved GUD	




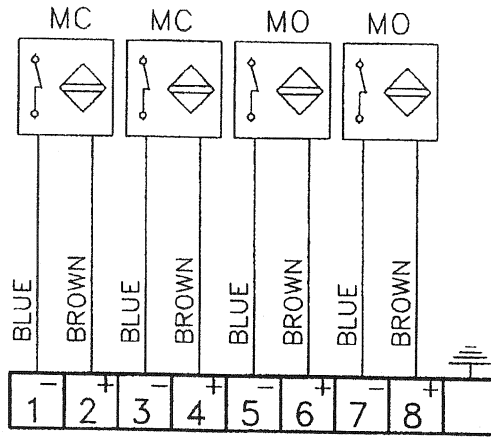
+

SVOR : COIL OF SOLENOID VALVE WITH MANUAL RESET  
(ENERGIZED AND RESET TO OPEN)

+



Rev. 1	Date 30/09/14	By <i>M</i>	Approved <i>Ch</i>	Description REVISED DESCRIPTIONS		
AutoCad 2000	Path T:\SCE			Drawing Number <b>SEADA114</b>		
	<b>WIRING DIAGRAM</b>			File SEADA114	Date 01/04/05	
				By GF	Approved GUD	




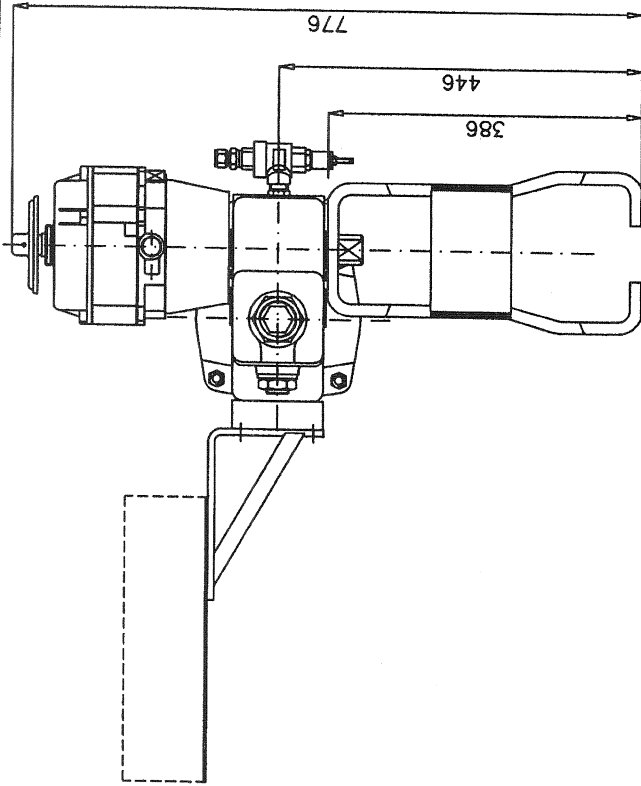
MO : PROXIMITY LIMIT SWITCH (Open valve signaling)  
 MC : PROXIMITY LIMIT SWITCH (Closed valve signaling)

LIMIT SWITCHES FUNCTION			
LIMIT SWITCHES	VALVE POSITION		
	OPEN	INTERMEDIATE	CLOSED
MC			
MO			

NOT OPERATED LIMIT SWITCH  
 OPERATED LIMIT SWITCH



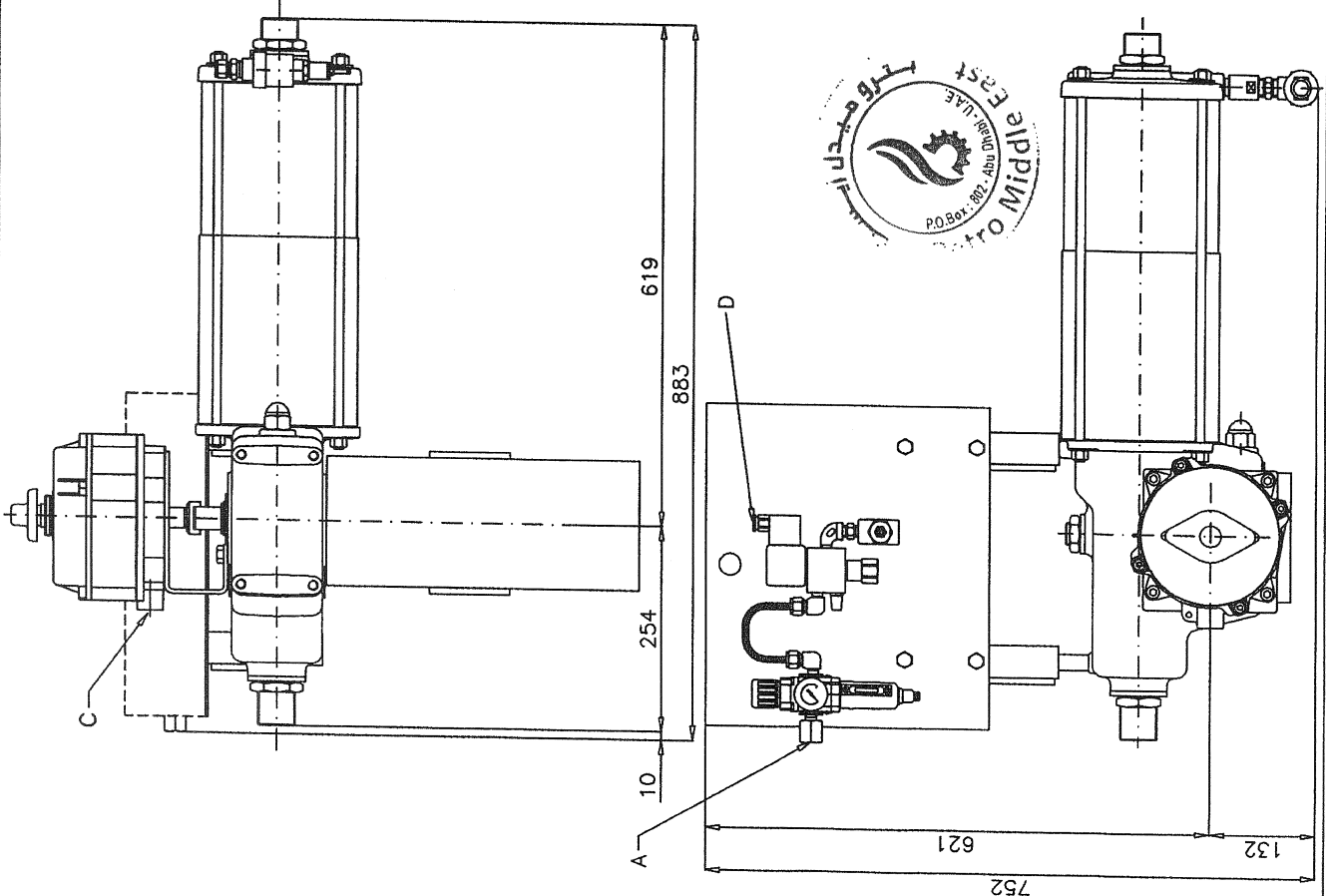
Rev.	Date	By	Approved	Description	
AutoCad 12.0	Path T:\SCE\	 <b>WIRING DIAGRAM</b>		Drawing Number <b>SEAAW001</b>	
				File SEAAW001	Date 29/03/96
				By <i>Nor</i>	Approved <i>Uman</i>



SUITABLE FOR ODA-1DA MOUNTING (SPRING TO CLOSE)

- A : 1/4" NPT Threaded hole for pneumatic supply connection
- C : 3/4" NPT Threaded hole for electric connection to microswitches
- D : PG 11 Cable Gland for electric connection to solenoid valve

Actuator Weight = 95 Kg



Rev.	Date	Drawn	Approved	Description	REUSED CAD ONLY MODIFICATE SOLO CON CAD
				RPS 60-S2-B1-CL RPS 60-S2-B1-CL RPS 60-S2-B1-CL PNEUMATIC ACTUATOR -- Overall dimensions --	 Drawing Number <b>DT3898PT</b> Scale 1:6 Date 26/07/12 Drawn GC Approved MM



ALL DIMENSIONS ARE IN mm DIMENSIONS AND WEIGHT TOLERANCES ±5%