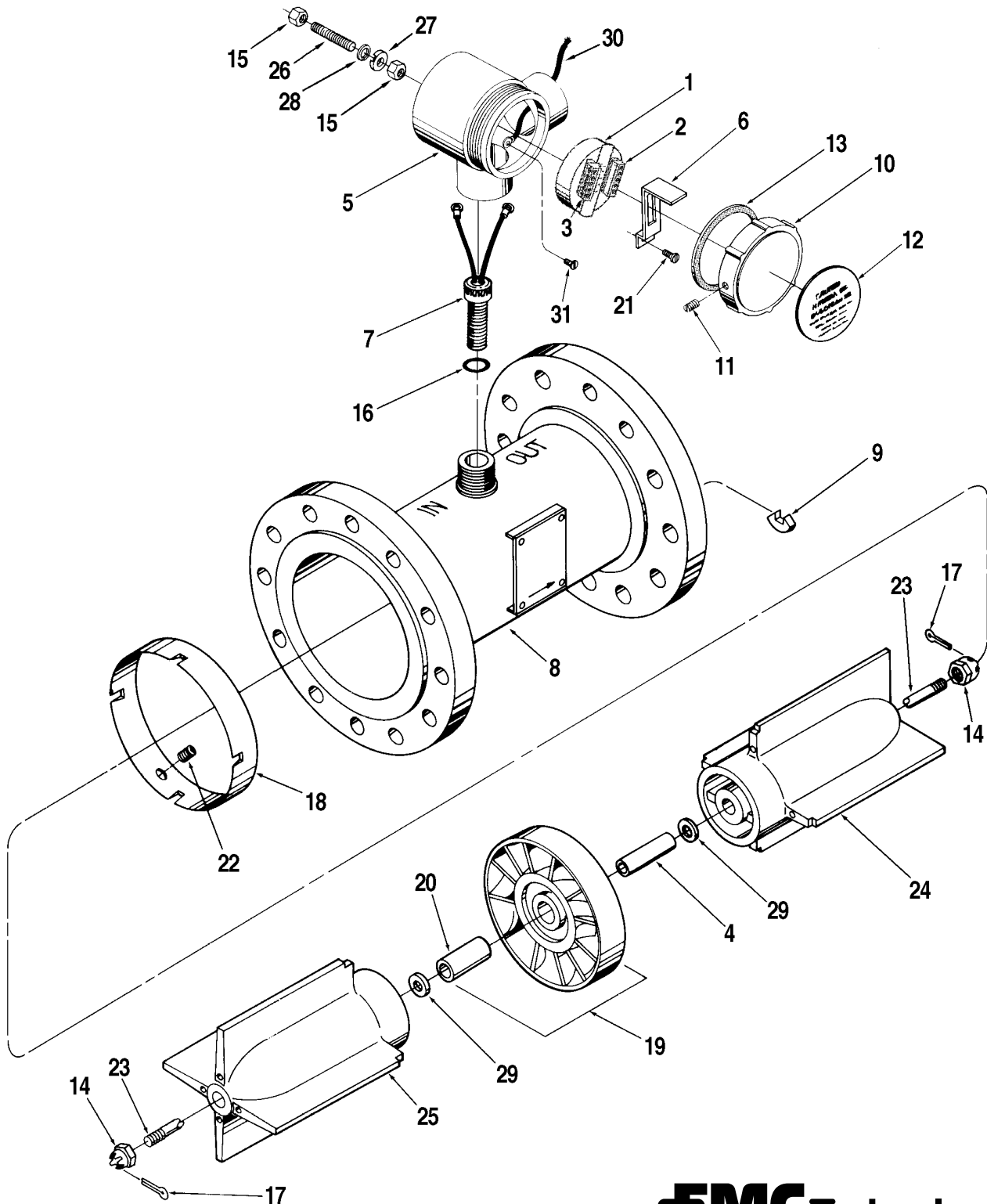


# Meter, Turbine, 10 Inch, Sentry Series, Model K2DJ

For meters manufactured prior to August 1976,  
consult factory.



Item	Description	Qty.	Part Number
1	+ Preamplifier:		
	PA-6, 12 to 24 Vdc .....	#	230663-101
2	Connector, (1-5) .....	#	645030-452
3	Connector, (6-10) .....	#	645030-453
4	Bearing, Platform:		
	Smooth .....	1	541454-214
5	Box, Conduit .....	#	543256-200
6	Clip, Retaining .....	#	543192-203
7	+ Coil, Pickup:		
	-100°F to 225°F Temperature Range .....	#	644327-401
	-100°F to 400°F (High Temperature Version) .....	#	641512-401
	Mating Connector with Leads (High Temperature Version) .....	#	540244-101
8	Housing .....	1	See Note 1
9	Key, Stator:		
	For Stainless Steel Stators .....	1	544115-203
10	Cover, Conduit Box		
	UL/CSA .....	#	543196-100
	ATEX – Manufactured in U.S.A. ....	#	544057-101
	ATEX – Manufactured in Germany .....	#	544057-102
11	Screw, Set, #6-32 x 1/4" .....	#	643243-403
12	Label:		
	UL/CSA .....	#	543195-200
	ATEX – Manufactured in U.S.A. ....	#	544056-201
	ATEX – Manufactured in Germany .....	#	544056-202
13	+ Gasket, Cover .....	#	013403-200
14	+ Nut, Castle, 1/2"-13, UNF-2B .....	2	643729-402
15	Nut, 1/4"-20 (ATEX version only) .....	#	060060-001
16	O-Ring .....	#	641069-474
17	Pin, Cotter, 1/8 x 1-1/4" .....	2	645542-401
18	Ring, Deflector (Stainless Steel):		
	Unidirectional .....	1	543054-214
	Bidirectional .....	2	543054-214
19	+ Rotor Assembly (525 Pulses/BBL) .....	1	544443-192
20	Bearing, Rotor .....	1	541455-214
21	Screw, #10-32 x 1/4" .....	#	009544-401
22	Screw, Set, 1/4-20 x 1/4" (Two Per Deflector Ring) .....	#	645690-402
23	Shaft, Rotor .....	1	544202-201
24	Stator, Downstream .....	1	542358-212
25	Stator, Upstream		
	Unidirectional .....	1	542357-212
	Bidirectional .....	1	542358-212
26	Stud (ATEX version only) .....	#	550773-001
27	Washer, Inverted Tag (ATEX version only) .....	#	550770-001
28	Washer, 1/4" Lock (ATEX version only) .....	#	006621-001
29	Washer, Thrust .....	2	543851-214
30	Ground Wire (UL/CSA version only) .....	#	544058-101
31	Screw, #10-32 x 1/4" (UL/CSA version only) .....	#	006110-002

Item	Description	Qty.	Part Number
<b>Internal Parts Kits</b>			
	Unidirectional, Smooth Bearing.....		544610-103
	Bidirectional, Smooth Bearing.....		544610-104

- + Recommended stock.
- # Order quantity required.

@1 Note 1: Consult Factory, (814) 898-5000, providing the following information:

1. Uni or Bidirectional	3. Flange Material	5. Flange Type
2. Housing Material	4. Flange Class	6. Number of Pickup Coils

P0590.08X has been made obsolete and replaced by publication number PO02017 (September 2013).

**Headquarters:**

500 North Sam Houston Parkway West,  
Suite 100, Houston, TX 77067 USA  
Phone: +1 (281) 260 2190  
Fax: +1 (281) 260 2191

**Operations:**

**Measurement Products and Equipment:**  
Ellerbek, Germany +49 (4101) 3040  
Erie, PA USA +1 (814) 898 5000

**Integrated Measurement Systems:**  
Corpus Christi, TX USA +1 (361) 289 3400  
Kongsberg, Norway +47 (32) 286700

The specifications contained herein are subject to change without notice and any user of said specifications should verify from the manufacturer that the specifications are currently in effect. Otherwise, the manufacturer assumes no responsibility for the use of specifications which may have been changed and are no longer in effect.

Contact information is subject to change. For the most current contact information, visit our website at [www.fmctechnologies.com/measurementsolutions](http://www.fmctechnologies.com/measurementsolutions) and click on the "Contact Us" link in the left-hand column.

**[www.fmctechnologies.com/measurementsolutions](http://www.fmctechnologies.com/measurementsolutions)**