

series ISO 2

Brochure



Solenoid valves

★ 5/2-way valve, series ISO 2

$Q_n = 2500$ l/min, ISO base plate connection, ISO size 2, mono-stable or double air pilot, for electrical connector, as per ISO 4400 (form A), pilot valve with CNOMO porting configuration



00107646

Nominal flow Q_n at 6 bar and $\Delta p = 1$ bar.

Standards	ISO 5599-1:2001
Version	spool valve, zero overlap
Ambient temperature min. / max.	-10 °C / +50 °C
Medium	compressed air acc. to ISO 8573-1: 2001
compressed air acc. to ISO 8573-1:2001	class 6-4-3, class 5-4-4
Medium temperature	-10 °C / +50 °C
Protection class according to EN 60529:2000, with electrical connector	IP65
Duty cycle ED	100%
materials:	
Housing	polyamide
Seal	acrylonitrile butadiene caoutchouc

Operating voltage		
V		W
24 V DC		2,7
24 V DC		4,4

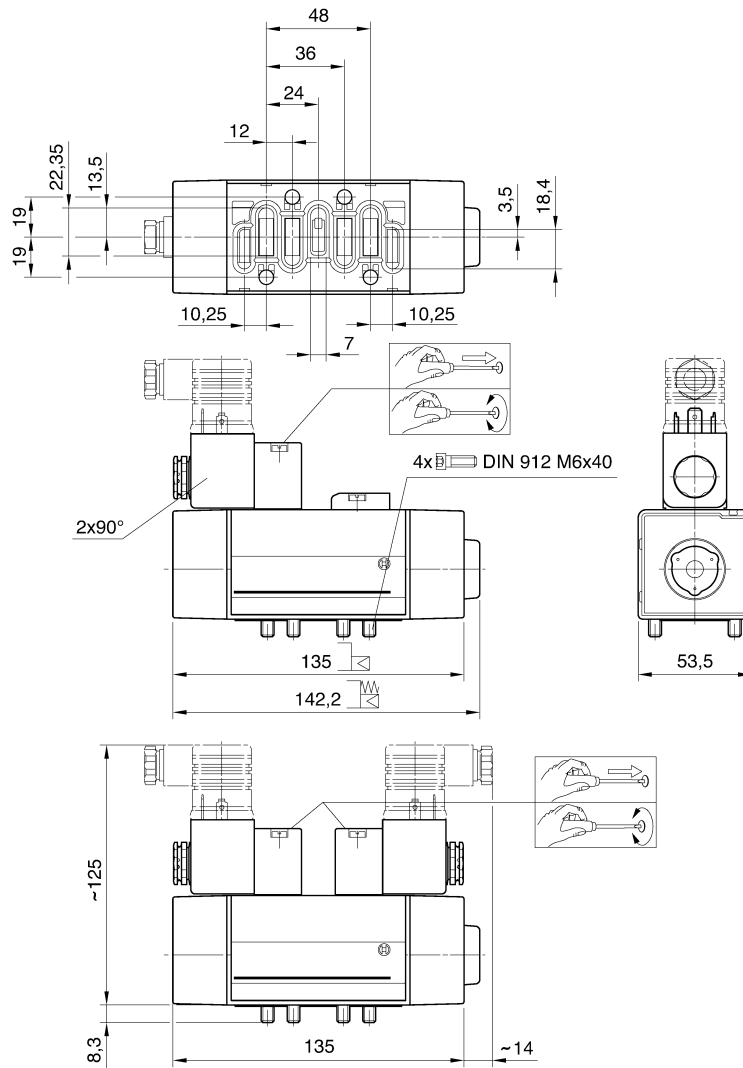
		Operating voltage	Working pressure min/max [bar]	Q_n [l/min]	Weight [kg]		Part No.
		24 V DC	2 - 10	2500	0,62	-	0820025152
						1)	0820025155
		24 V DC	2,5 - 10	2500	0,6	-	0820025176
						1)	0820025179
		24 V DC	1,5 - 10	2500	0,73	-	0820025652
						1)	0820025655
		24 V DC	2 - 10	2500	0,62	-	0820025102
						1)	0820025105
		24 V DC	2,5 - 10	2500	0,6	-	0820025126
						1)	0820025129
		24 V DC	1,5 - 10	2500	0,73	-	0820025602
						1)	0820025605

1) Low power consumption

Solenoid valves

★ 5/2-way valve, series ISO 2

Qn = 2500 l/min, ISO base plate connection, ISO size 2, mono-stable or double air pilot, for electrical connector, as per ISO 4400 (form A), pilot valve with CNOMO porting configuration

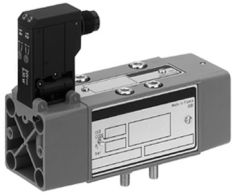


00107647

Solenoid valves

★ 5/2-way valve, series ISO 2

Qn = 2500 l/min, ISO base plate connection, mono-stable or double air pilot, threaded connection M12, in plastic



00106725_1

Standards	ISO 5599-1:2001
Version	spool valve, zero overlap
Ambient temperature min. / max.	+0°C / +50°C
Medium	compressed air acc. to ISO 8573-1: 2001
compressed air acc. to ISO 8573-1:2001	class 6-4-3, class 5-4-4
Medium temperature	+0°C / +50°C
Protection class according to EN 60529:2000, with electrical connector	IP65
Duty cycle ED	100%
materials:	
Housing	polyamide
Seal	acrylonitrile butadiene caoutchouc

Nominal flow Qn at 6 bar and $\Delta p = 1$ bar.

Operating voltage		
V		W
24 V DC		0,35

		Operating voltage	Working pressure min/max [bar]	Qn [l/min]	Weight [kg]	Part No.
		24 V DC	1 - 10	2500	0,58	0820025331
		24 V DC	1 - 10	2500	0,58	0820025329
		24 V DC	2,2 - 10	2500	0,554	0820025302
		24 V DC	2,2 - 10	2500	0,554	0820025300
		24 V DC	2 - 10	2500	0,571	0820025252
		24 V DC	2 - 10	2500	0,571	0820025250
		24 V DC	1 - 10	2500	0,55	0820025327
		24 V DC	1 - 10	2500	0,55	0820025325

Solenoid valves

★ 5/3-way valve, series ISO 2

Qn = 1700 - 2400 l/min, ISO base plate connection, double solenoid, for electrical connector, form A, pilot valve with CNOMO porting configuration



00107652

Nominal flow Qn at 6 bar and Δp = 1 bar.

Standards	ISO 5599-1:2001
Version	spool valve, zero overlap
Ambient temperature min. / max.	-10 °C / +50 °C
Medium	compressed air acc. to ISO 8573-1: 2001
compressed air acc. to ISO 8573-1:2001	class 6-4-3, class 5-4-4
Medium temperature	-10 °C / +50 °C
Protection class according to EN 60529:2000, with electrical connector	IP65
Duty cycle ED	100%
materials:	
Housing	polyamide
Seal	acrylonitrile butadiene caoutchouc

Operating voltage		W
V		
24 V DC		2,7
24 V DC		4,4

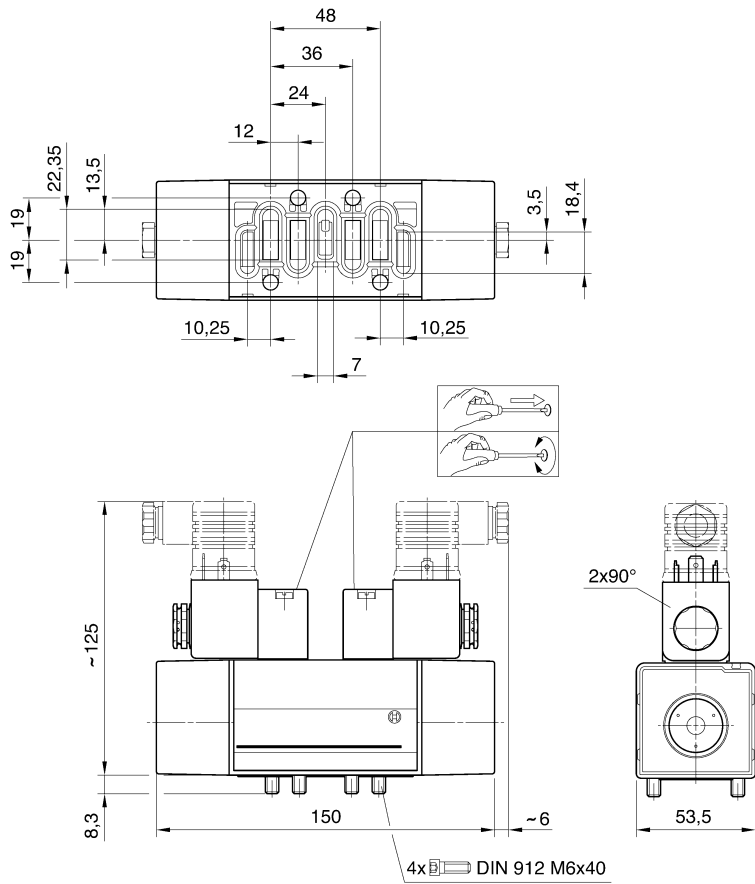
		Operating voltage	Working pressure min/max [bar]	Qn [l/min]	Weight [kg]		Part No.
		24 V DC	2,8 - 10	2400	0,79	- 1)	0820028202 0820028205
		24 V DC	2,8 - 10	2400	0,79	- 1)	0820028302 0820028305
		24 V DC	1 - 10	1800	0,79	- 1)	0820028251 0820028254
		24 V DC	1 - 10	1800	0,79	- 1)	0820028351 0820028354
		24 V DC	2,2 - 10	1700	0,79	- 1)	0820028226 0820028229
		24 V DC	2,2 - 10	1700	0,79	- 1)	0820028326 0820028329

1) Low power consumption

Solenoid valves

★ 5/3-way valve, series ISO 2

$Q_n = 1700 - 2400 \text{ l/min}$, ISO base plate connection, double solenoid, for electrical connector, form A, pilot valve with CNOMO porting configuration

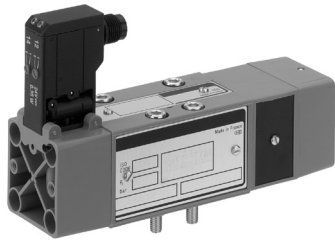


00107653

Solenoid valves

★ 5/3-way valve, series ISO 2

Qn = 1700 - 2400 l/min, ISO base plate connection, double solenoid, threaded connection M12



00106726

Standards	ISO 5599-1:2001
Version	spool valve, zero overlap
Ambient temperature min. / max.	+0°C / +50°C
Medium	compressed air acc. to ISO 8573-1: 2001
compressed air acc. to ISO 8573-1:2001	class 6-4-3, class 5-4-4
Medium temperature	+0°C / +50°C
Protection class according to EN 60529:2000, with electrical connector	IP65
Duty cycle ED	100%
materials:	
Housing	polyamide
Seal	acrylonitrile butadiene caoutchouc

Nominal flow Qn at 6 bar and Δp = 1 bar.

Operating voltage		W
V		
24 V DC		0,35

		Operating voltage	Working pressure min/max [bar]	Qn [l/min]	Qn center 1 -> 2 (4) [l/min]	Qn end position 1 -> 2 (4) [l/min]	Qn end position 2 (4) -> 3 (5) [l/min]	Part No.
		24 V DC	2,5 - 10	1700	-	1700	1800	0820028277
		24 V DC	2,5 - 10	1700	-	1700	1800	0820028275
		24 V DC	2,5 - 10	1700	2400	1700	1800	0820028427
		24 V DC	2,5 - 10	1700	2400	1700	1800	0820028425
		24 V DC	2,5 - 10	1700	2400	1700	1800	0820028377
		24 V DC	2,5 - 10	1700	2400	1700	1800	0820028375

Solenoid valves



Accessories

★ Transition plate
ISO 15407-1, 26 mm wide

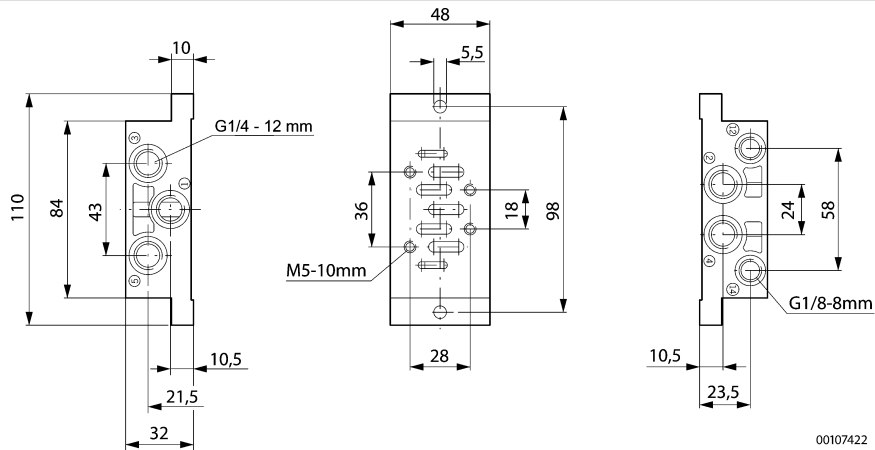
00103611

Medium

compressed air acc. to ISO 8573-1: 2001

	Port		Part No.
	G 1/2	Fig.3	1825503149
	G 1/4	Fig.1	1825503143
	G 3/8	Fig.2	1825503146

Fig. 1

00107422
00107422

Solenoid valves

★
Accessories

Fig. 2

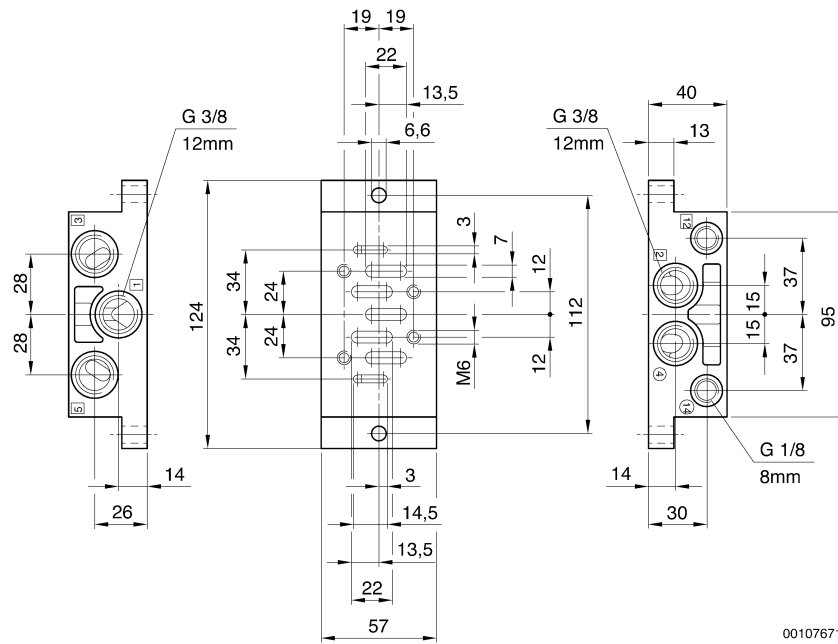
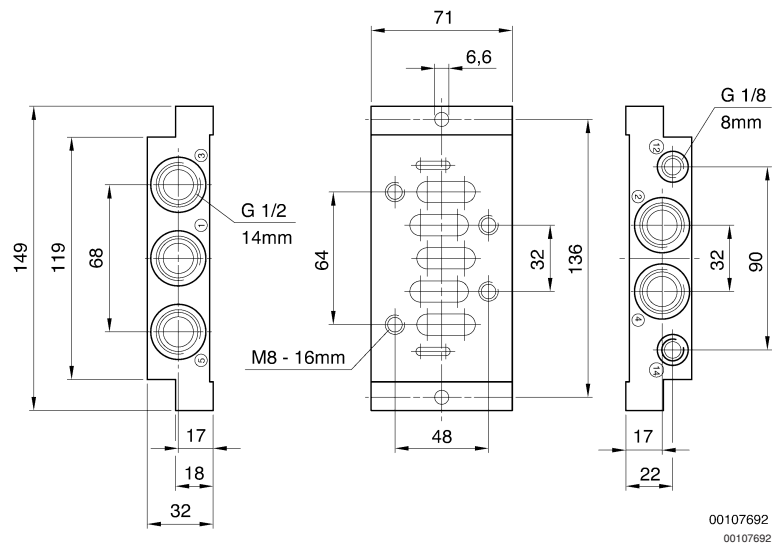


Fig. 3



★ **Transition plate**
ISO 15407, as per VDMA, form B, connection thread on bottom

Solenoid valves



Accessories



5746-121

Working pressure
min/max

0 / 16 bar

Ambient temperature min. / max.

-15°C / +50°C

Medium

compressed air acc. to ISO 8573-1: 2001

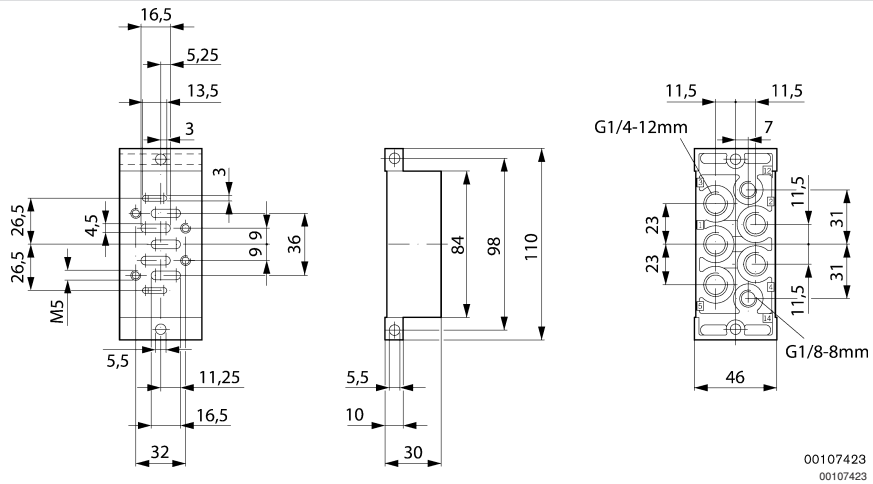
materials:

Material

aluminum

Type	Part No.
ISO 1	1825503201
ISO 2	1825503202
ISO 3	1825503203

Fig. 1



Solenoid valves

★
Accessories

Fig. 2

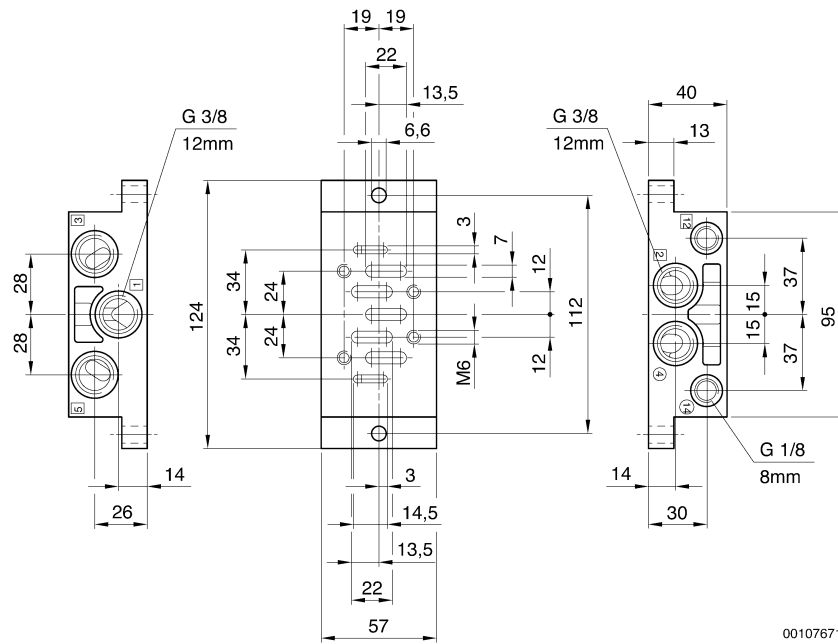
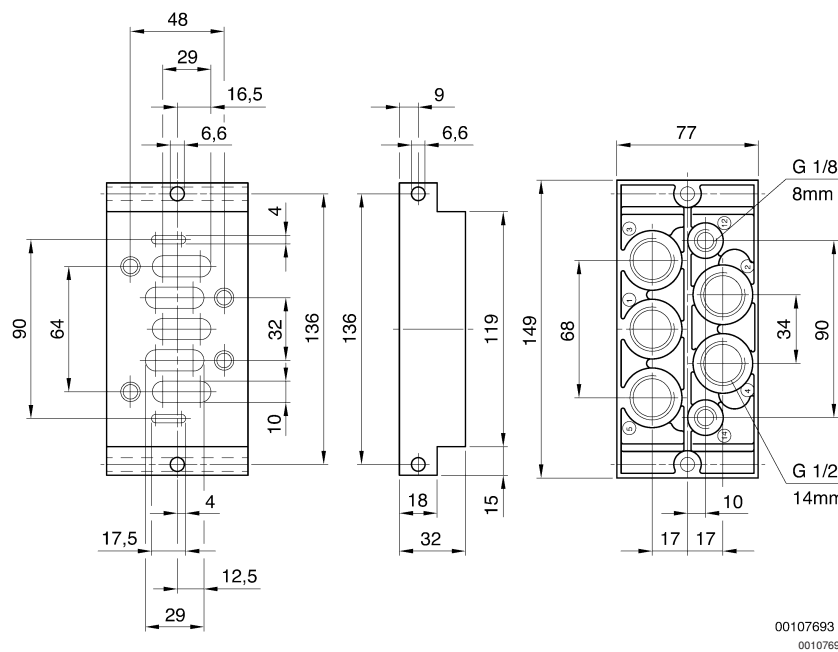


Fig. 3



★ **Transition plate**
for combining different ISO sizes

Solenoid valves



Accessories



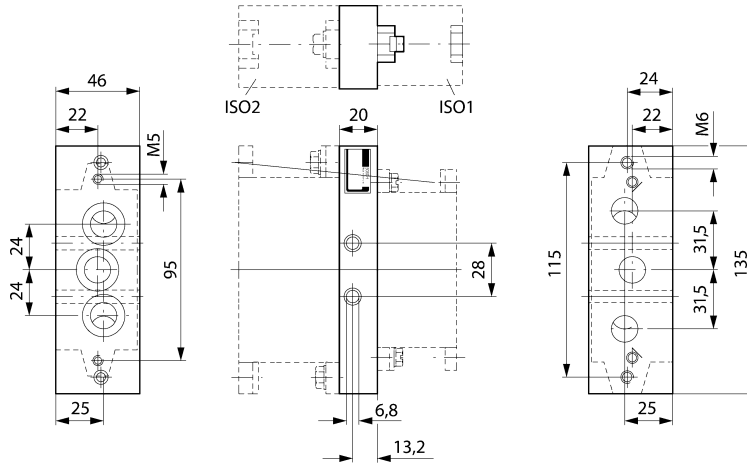
00107448

Medium

compressed air acc. to ISO 8573-1: 2001

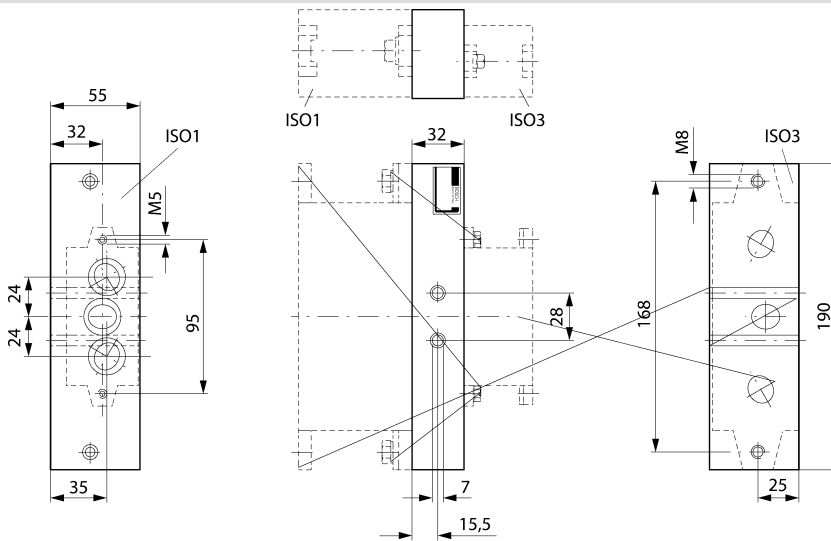
Type	Fig.	Part No.
ISO 1 - ISO 2	Fig.1	1825503164
ISO 2 - ISO 3	Fig.2	1825503166
ISO 1 - ISO 3	Fig.3	1825503165

Fig. 1



00107450

Fig. 2

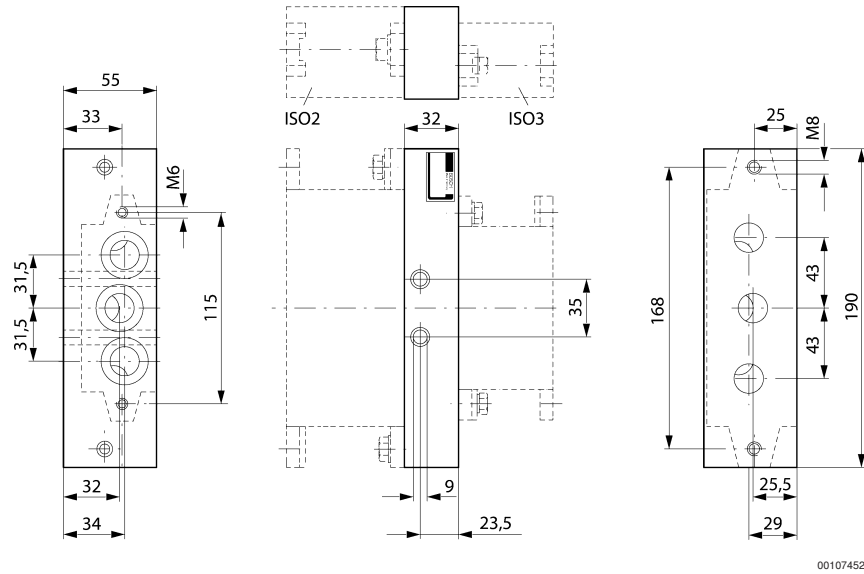


00107451

Solenoid valves

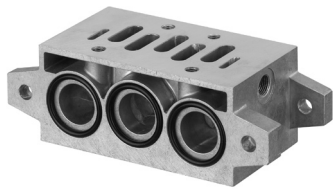
★
Accessories

Fig. 3



00107452

★ **Sandwich base**
for 5/2 and 5/3-way valves, as per VDMA 24 345, form C/D



00107662

Medium

compressed air acc. to ISO 8573-1: 2001

Version	Weight [kg]	Part No.
1)	0,235	1825503144
3)	0,2	1825503145
1)	0,34	1825503147
2)	0,31	1825503148
1)	0,67	1825503150
3)	0,59	1825503151

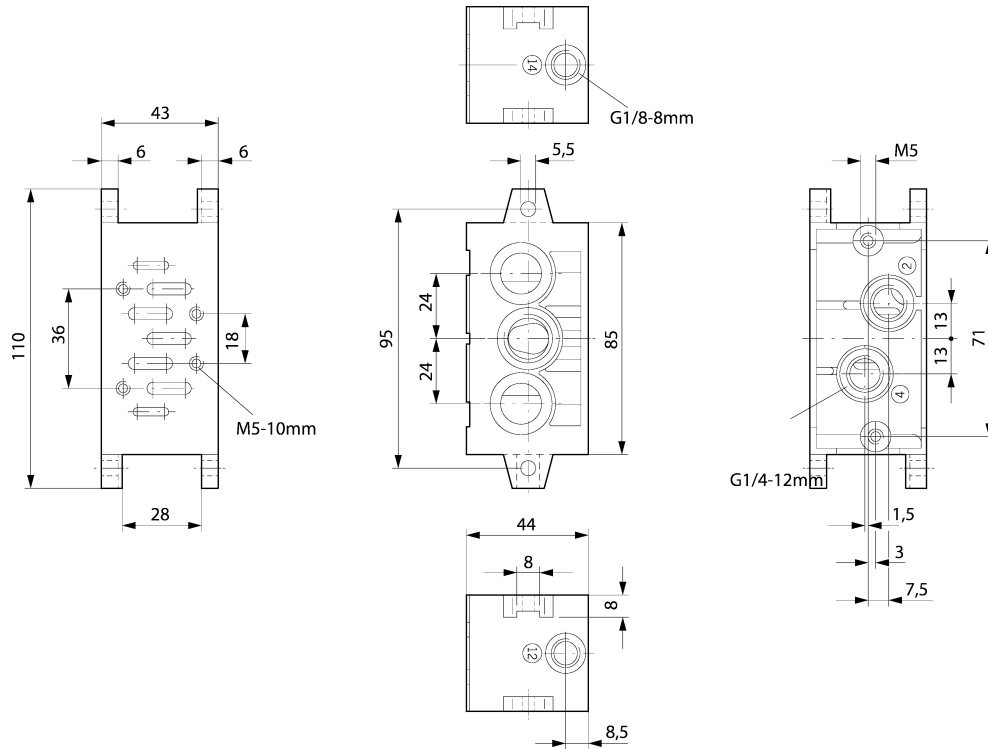
1) intermediate plate
2) End plate

Solenoid valves



Accessories

dimensions



00107430

★ Sandwich base

ISO 5599-1, thread connections on the side, cpl. with screws and gasket



00107433

Medium

compressed air acc. to ISO 8573-1: 2001

Version	Port		Part No.
End plates left and right	1, 3, 5 axial	Fig.1	1825503294
	1, 3, 5 axial and on top		1825503297
intermediate plate	2+4 on side, 12+14 single	Fig.2	1825503286
	2+4 on side, 12+14 manifold	Fig.2	1825503288
	-	Fig.3	1825503290
	-	Fig.3	1825503292

Solenoid valves

★
Accessories

Fig. 1

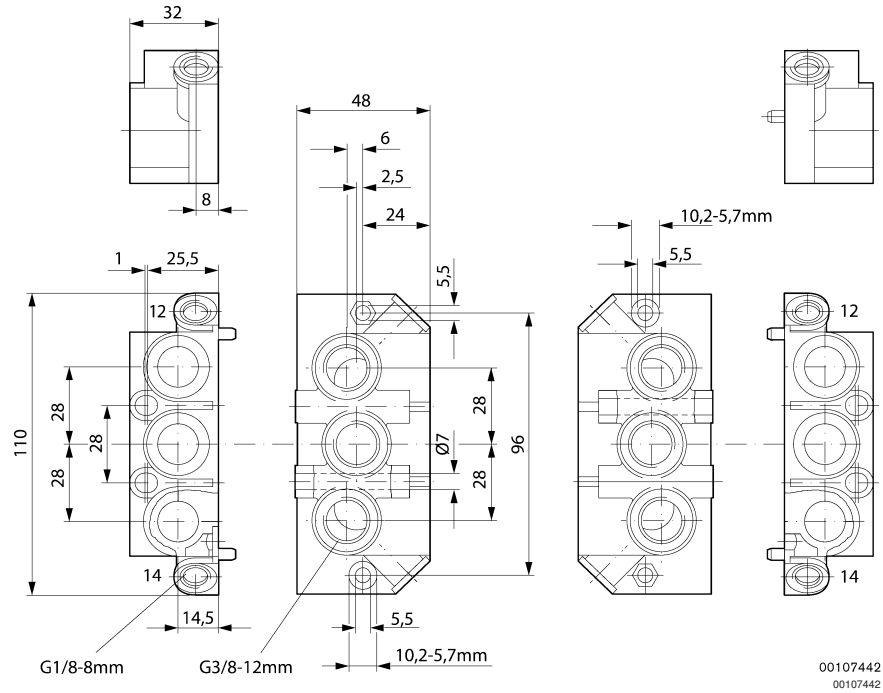
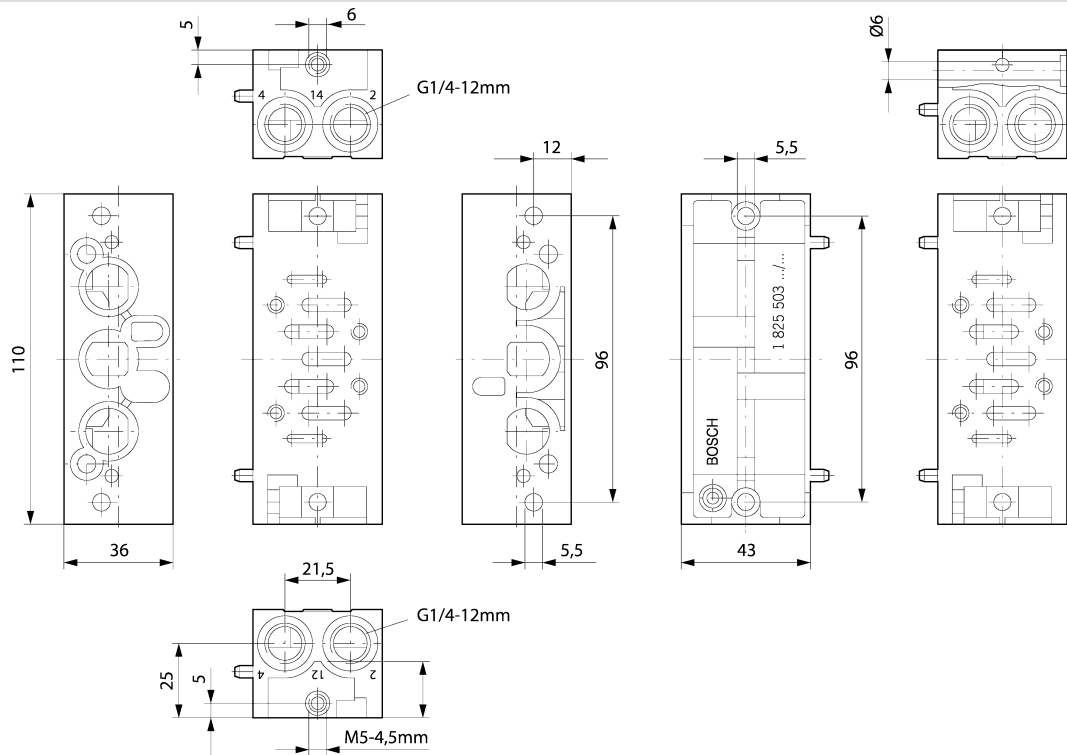


Fig. 2

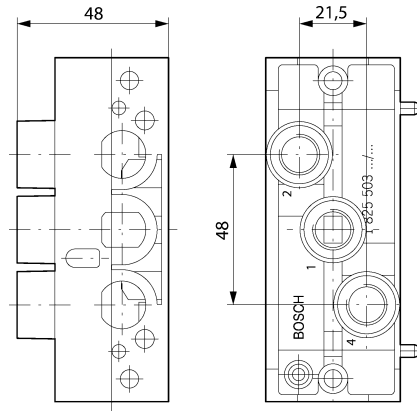


Solenoid valves



Accessories

Fig. 3



00107445

★ Angle subplate

VDMA 24345 form E, some with connection for differential pressure display



Medium

compressed air acc. to ISO 8573-1: 2001

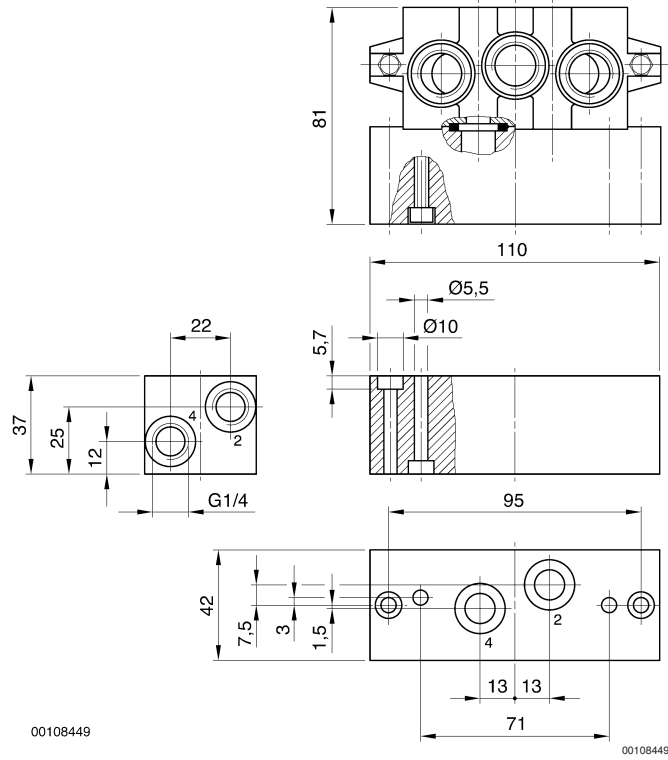
00110047

Version	Port	Weight [kg]	Part No.
ISO 1	without	0,405	1825503170
	with		1825503324
ISO 2	without	-	1825503204
	with		1825503205
ISO 3	without	-	1825503764
	with		

Solenoid valves

★
Accessories

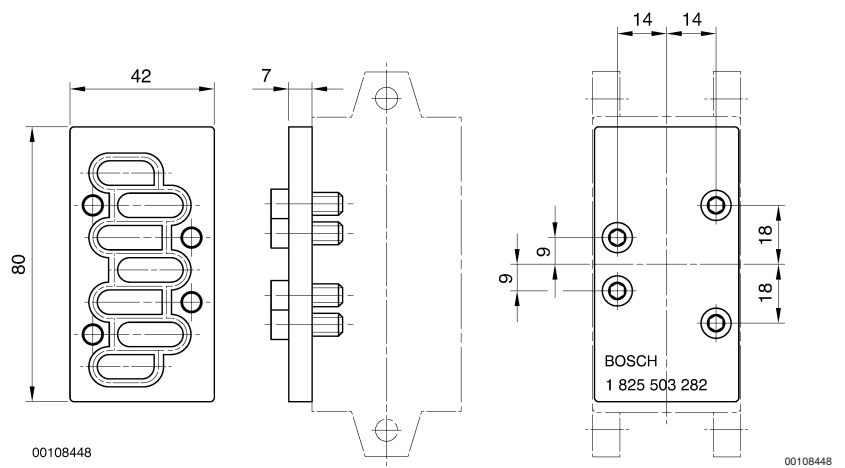
dimensions



00108449

00108449

★ Blanking plate
ISO 5599-1, size 1 - 3, Blanking plate



00108448

00108448

Version	Part No.
Blanking plate	1825503282
	1825503176
	1825503174

Solenoid valves



Accessories

● Pressure regulator, series ISO 1 with pressure gauge



00123548

Medium

compressed air acc. to ISO 8573-1: 2001

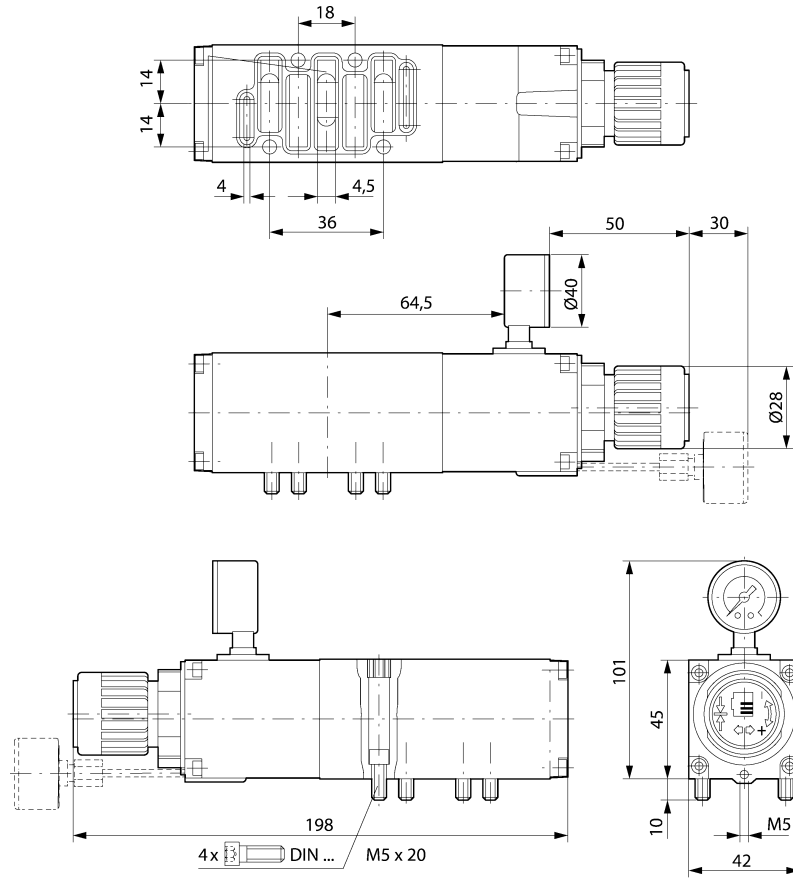
	Version	Weight [kg]	Part No.
	1)	1,15	0821302048
		1,19	0821302060
	2)	1,57	0821302051
		1,61	0821302061
	3)	1,15	0821302054
		1,19	0821302062
	4)	1,15	0821302057
		1,19	0821302063

- 1) Controlled connection 1
 2) Controlled connection 2/4
 3) Controlled connection 2
 4) Controlled connection 4

Solenoid valves

★
Accessories

dimensions



00107462

★ electrical connectors, Series CN1
as per ISO 4400 (form A)

Ambient temperature min. / max.

-40 °C / +90 °C

Type

Form A, width 30 mm, pin spacing 18 mm angled

Protection class

IP65



00110264_a

Solenoid valves

★
Accessories

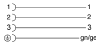
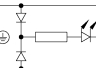
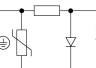
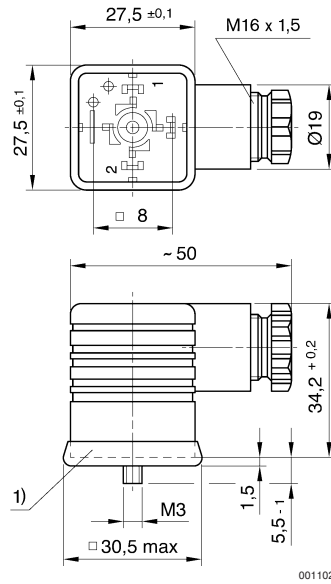
	contacts [+E]	Voltage [V AC]	Voltage [V DC]	LED	pluggable	Housing color	Weight [kg]		Part No.
	3	-	-	-	4x90°	black	0,03	Fig.1	1834484048
	2	-	24	yellow	4x90°	transparent	0,03	Fig.2	1834484101
	2	110 230	-	red	4x90°	transparent	0,03	Fig.2	1834484102 1834484103

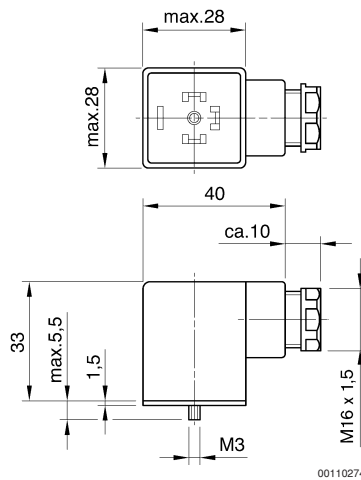
Fig. 1



00110261

1) profile sealing

Fig. 2



00110274

Solenoid valves

★
Accessories

★ electrical connectors, Series CN1
as per ISO 4400 (form A), with cable

Ambient temperature min. / max.

-20 °C / +80 °C

Type

Form A, width 30 mm, pin spacing 18 mm angled

Protection class

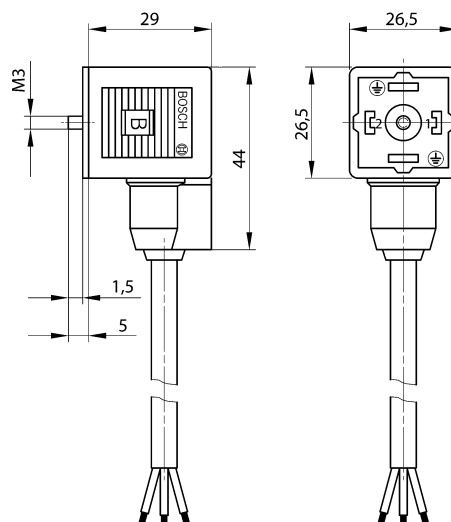
IP65



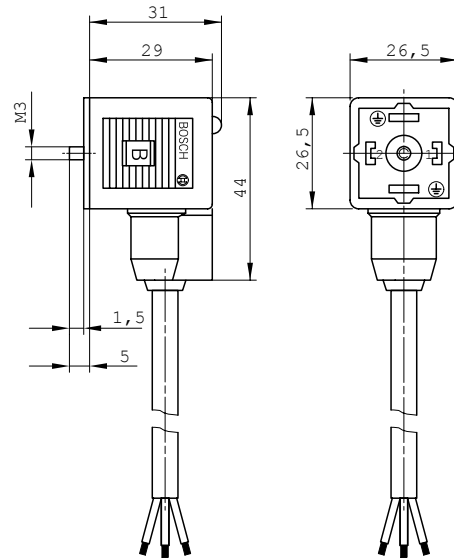
00110292_b

	contacts [+E]	Voltage [V AC]	Voltage [V DC]	LED	Length [m]	pluggable	Housing color	Weight [kg]		Part No.
	2	-	-	-	3	2x180°	black	0,2	Fig.1	1834484160
					5			0,31		1834484161
	2	-	24	yellow	3	2x180°	black	0,2	Fig.2	1834484162
					5			0,31		1834484163
	2	230	-	red	3	2x180°	black	0,2	Fig.2	1834484164
					5			0,31		1834484165

Fig. 1



1834484162-09_a

Solenoid valves**Accessories****Fig. 2**

1834484162-09

Bosch Rexroth AG
Pneumatics
Ulmer Straße 4
D - 30880 Laatzen
Phone +49 511 2136-0
Fax +49 511 2136-2 69
sales-pneumatics@boschrexroth.de
www.boschrexroth.com/pneumatics

Your contact:

Canada

Bosch Rexroth Canada Corp.
3426 Mainway Drive
Burlington, Ontario L7M 1A8
Tel. +1 905 335-5511
Fax +1 905 335-4184

Australia

Bosch Rexroth Pty. Ltd.
3 Valediction Road
Kings Park NSW 2148
Sydney
Tel. +61 2 9831-7788
Fax +61 2 9831-5553

U.S.A.

Bosch Rexroth Corp.
1953 Mercer Road
Lexington, KY 40511-1021
Kentucky
Tel. +1 859 254-8031
Fax +1 859 254-4188

Great Britain

Bosch Rexroth Ltd.
Broadway Lane
South Cerney
Cirencester, GL7 5UH
Gloucestershire
Tel. +44 1285 86-3000
Fax +44 1285 86-3003

further contacts:
www.boschrexroth.com/addresses

The data specified above only serve to describe the product. No statements concerning a certain condition or suitability for a certain application can be derived from our information. The information given does not release the user from the obligation of own judgment and verification. It must be remembered that our products are subject to a natural process of wear and aging.

© This document, as well as the data, specifications and other informations set forth in it, are the exclusive property of Bosch Rexroth AG. Without their consent it may not be reproduced or given to third parties.

Subject to modifications.
Printed in Germany.
Order no.
000-000-000-0/JJJJ-MM/EN