

**Technical Data**

Item no. 20172448

Rev. 0

**NSC 150-400/D379,33CC4**

Name

Company name	Receiver	
Issued by		
Phone number		
Fax no.		
e-mail address		

Operating data			
1	Pumpe type	Single head pump	Fluid
2	No. of pumps	1	Operating temperature t A °C
3	Nominal flow	m³/h 298	pH-value at t A
4	Nominal head	m 50	Density at t A kg/dm³
5	Static head	m 0	Kin. viscosity at t A mm²/s
6	Inlet pressure	bar 0,098	Vapor pressure at t A bar
7	Environmental temperature	°C 4	Content of solid %
8	Available system NPSH	m 0	Solid size mm
			Altitude m

Pump data			
9	Pump designation	NSC 150-400/D379,33CC4	
10	Design	Singlestage Endsuction pumps	Impeller Ø
11	Execution	Pump	
12	Operating speed	1/min 1485	
13	Number of stages	1	Flow
14	Suction nozzle	DN200 / PN16 / EN1092-2 (NSC)	
15	Discharge nozzle	DN150 / PN10/16 / EN1092-2 (NSC)	
16	Max. casing pressure	bar 16	Head
17	Max. working pressure	bar 5,1	
18	Impeller type	Impeller design Radialrad Closed	
19	Head H(Q=0)	m 51	Shaft power kW
20	Pump weight	kg 228	Max. shaft power kW
21	Total weight	kg 228	Efficiency %
			NPSH 3% m
22	Bearing bracket	Standard, grease lubrication (42)	

Materials			
23		Pump	Shaft Seal
24	Impeller	Cast iron, 0.6020	Single mechanical seal, without shaft sleeve
25	Casing	Cast iron, 0.6025	MG12
26	casing cover	Cast iron, 0.6025	1. Rotating ring
27	Wear ring	stainless steel, 1.4301 (1.4408)	Carbon, resinimpreganted
28	SHAFT	Stainless steel, 1.4057	2. Stationary ring
29	O-Ring	EPDM	SIC - pressure-free sintered
30	Bearing frame	Cast iron, 0.6025	3. Secondary seal
31			4. Springs
32			5. Others
33			CrNiMo - steel
34			CrNiMo - steel
35			
36			
37			

Motor data				Coupling	
38	Manufacturer	Not included	Electric voltage	Manufacturer	Not included
39	Specific design			Series	
40	Type			Type	
41	Rated power		Electric current	Frame size	
42	Nominal speed		Degree of protection	Spacer length mm	
43	Frame size		Explosion protection	Weight kg	
44	Weight		Shaft diameter	Coupling protection	Werkstoff :

Base plate		Accessories	
45	Name	Piping	
46	Weight kg	heating jacket (casing)	<input type="checkbox"/> yes / no
		heating jacket (casing cover)	<input type="checkbox"/> yes / no
47		Constant level Oiler	<input type="checkbox"/> yes / no
48		Anchorbolts	<input type="checkbox"/> yes / no
49			<input type="checkbox"/> yes / no
50			<input type="checkbox"/> yes / no
51			<input type="checkbox"/> yes / no
52			<input type="checkbox"/> yes / no

Project	Project ID	Created by	Created on	Last update
Replacement L150-400 U1SN-7504	209119	W.Damste	3-7-2017	

**hydraulic**  
**NSC 150-400/D379,33CC4**

Item no. 20172448

Rev. 0

Company name	Receiver	
Issued by		
Phone number		
Fax no.		
e-mail address		

	Ø mm	Pump capacity			Pump head		Shaft power P2			Impeller type		Radialrad
		Operating range Min. m³/h	Max. m³/h	η Max. m³/h	H(Q=0) m	η Max. m	P2(Q=0) kW	Max. kW	η Max. kW	Impeller design	Closed	
actual	379	75,5	631	471	51	43,3		73,3	65,6	Sense of rotation	Clockwise from the drive end	
Min.	327	/	/	386	37	31,2		/	43,2	Frequency	Hz 50	
Max.	423	/	/	509	63,9	55,8		/	86,5	Operating speed	1/min 1485	

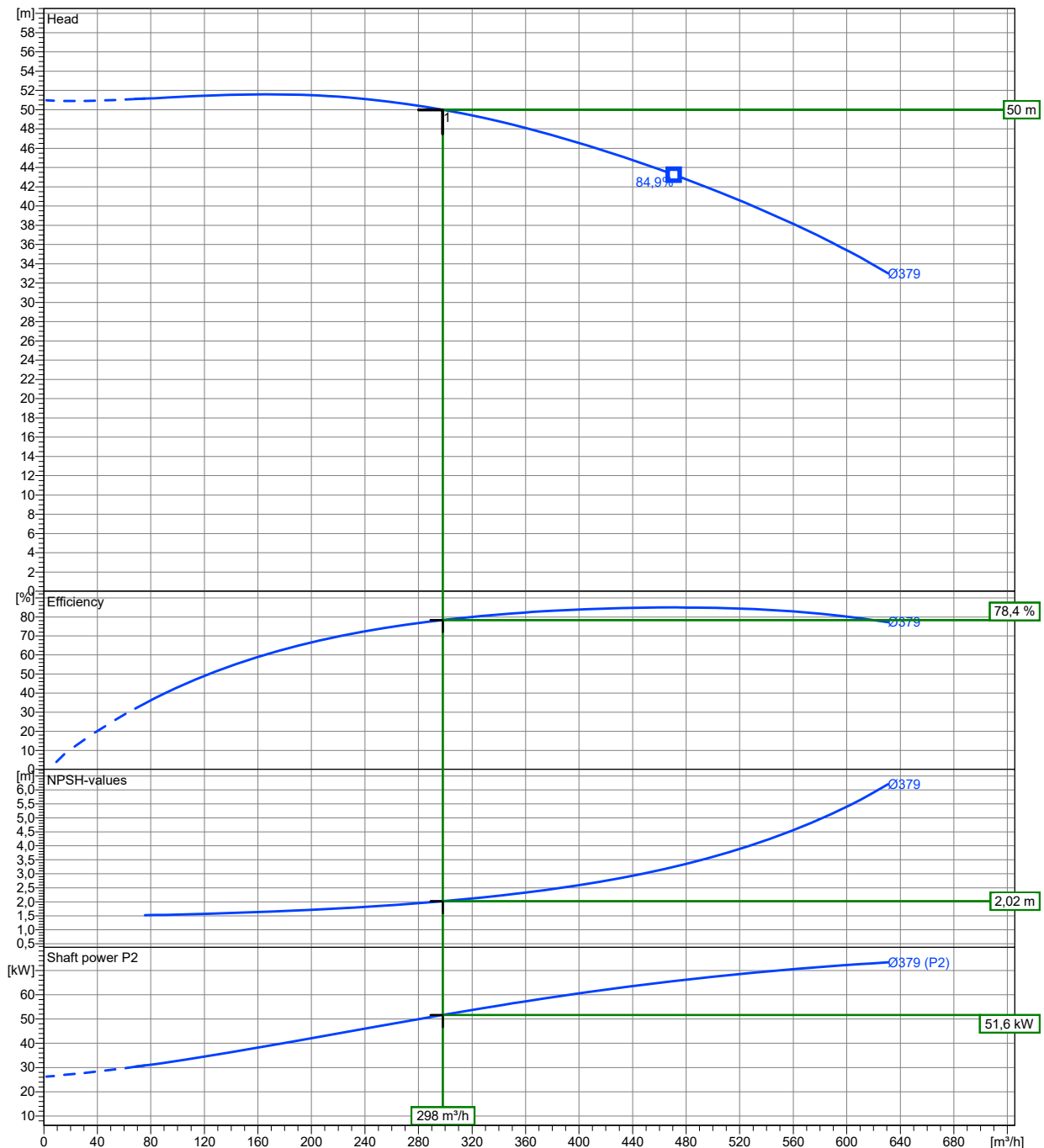
**Power data referred to:**

**hydr. Performance acceptance acc. To EN ISO 9906 Class**

Water, pure [100%]; 4°C; 1kg/dm³; 1,57mm²/s

Grade 3B

**MEI: >=0,70 - according to Ecodesign Directive 2009/125/EC and Regulation (EU) No.547/2012**



Project <b>Replacement L150-400 U1SN-7504</b>	Project ID <b>209119</b>	Created by <b>W.Damste</b>	Created on <b>3-7-2017</b>	Last update
--	-----------------------------	-------------------------------	-------------------------------	-------------

**Dimensions**

**NSC 150-400/D379,33CC4**

Company name  
Issued by  
Phone number  
Fax no.  
e-mail address

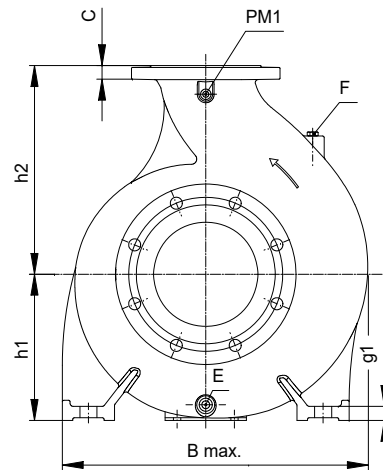
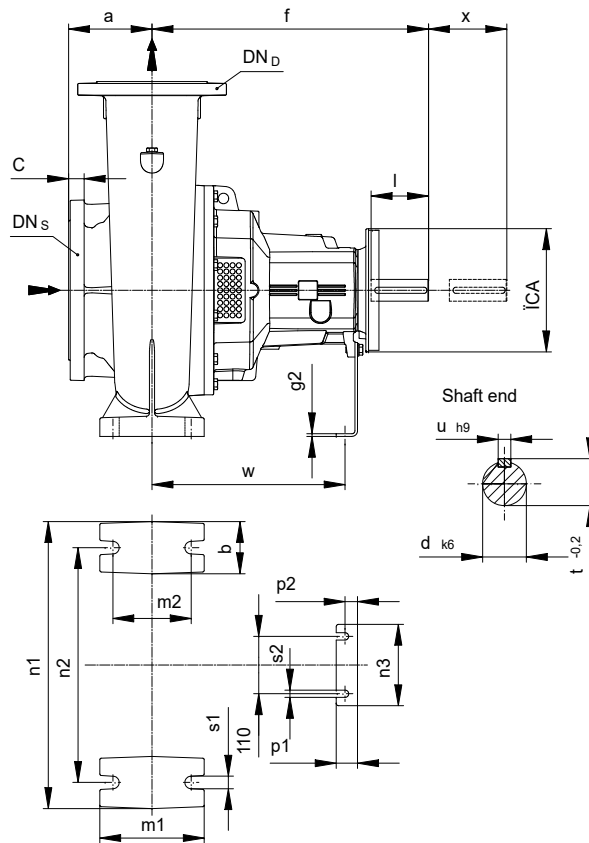
Receiver

Pump with bare shaft

Pump

**Dimensions**

[mm] / [ m³ ]

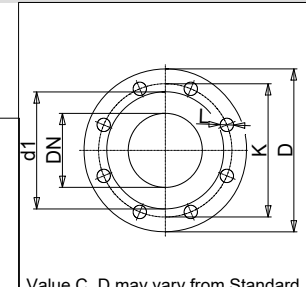


a	160	n2	450
Bmax	621	n3	156
CTO	0	ØCA	230
d	42	p1	24
DNd	150	p2	41
DNs	200	PM1	1/4"
E	3/8"	s1	23
F	3/8"	t	45
f	530	Trim	2
g1	26	u	12
g2	5	Volumen	0,29032
h1	315	w	370
h2	450	x	140
ImpØ	379,33		
l	110		
LT	42		
m1	200		
m2	150		
n1	550		

**Connections**

[ mm ]

Suction nozzle		Discharge nozzle	
DN200		DN150	
PN16		PN10/16	
EN1092-2 (NSC)		EN1092-2 (NSC)	
C	30	C	26
D	345	D	285
d1	266	d1	211
K	295	K	240
L	23	L	23
z	12	z	8



Weight (+/- 5%) [ kg ]	
Pump	228
Coupling	
Coupling protection	
Base plate	
Motor	
<b>Total weight</b>	~ 228

Value C, D may vary from Standard

**Dimensions and weight without obligation**

Project  
**Replacement L150-400 U1SN-7504**

Project ID  
**209119**

Created by  
**W.Damste**

Created on  
**3-7-2017**

Last update