



# DNH

HEAD OFFICE, NORWAY  
DNH AS

Phone..... + 47 35 98 56 00  
Fax..... + 47 35 98 56 10  
E-mail..... dnh@dnh.no  
Web-Site..... www.dnh.no

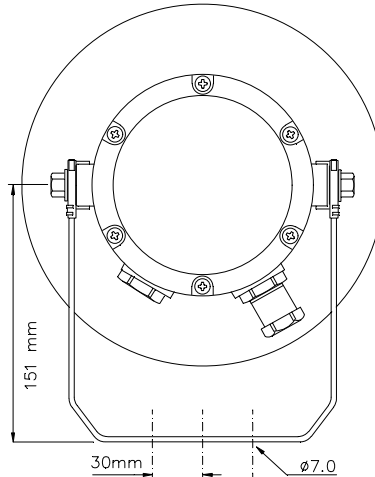
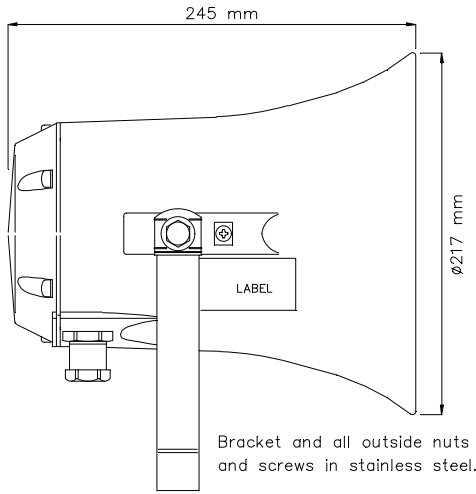
ENGLAND  
DNH WW Ltd  
Phone..... + 44 1908 275 000  
Fax..... + 44 1908 275 100  
E-mail..... dnh@dnh.co.uk

GERMANY  
DNH GmbH  
Phone... + 49 040 6569 30-0  
Fax..... + 49 040 6569 30-30  
E-mail..... dnh@dnh.de

USA  
DNH Speakers Inc  
Phone..... + 1 484 494 5790  
Fax..... + 1 484 494 5793  
E-mail..dnh@dnhspeakers.com

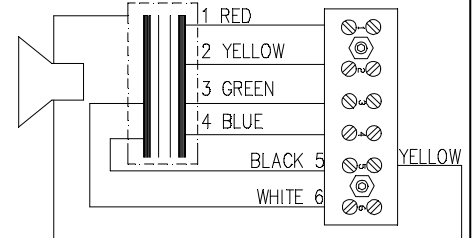
## H-60EExeN(T)

ISO 9001 CERTIFIED



Standard model delivered with two M20  
Ex approved plastic blinding plugs

CIRCUIT  
DIAGRAM



Primary nominal  
tappings 100V  
From loudspeaker  
Yellow to black(5)

1 : 2	20,0 W
1 : 3	10,0 W
1 : 4	5,0 W

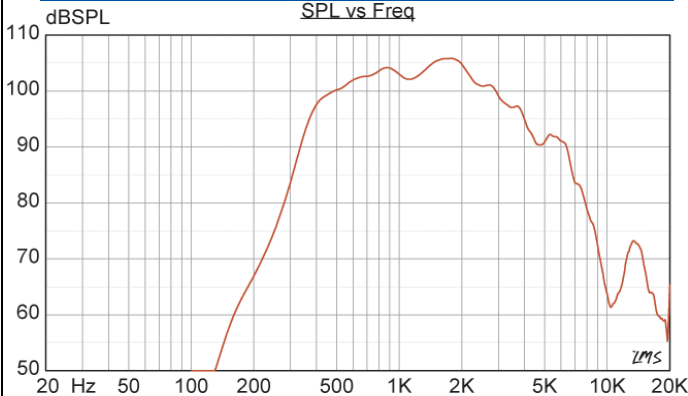
Yellow to white(6)

1 : 2	2,5 W
1 : 3	1,2 W
1 : 4	0,6 W

Certified by / Certification code / Number: NEMKO / EEx de IIB+H<sub>2</sub> T5 / 01 ATEX 046  
Certified by / Certification code / Number: NEMKO / EEx de IIC T5 / 01 ATEX 046



Sound pressure levels at 1W/1m IIB version



Specifications

	IIB	IIC
Material / Color	Aluminum alloy SS4261 / RAL 7035	
Mounting	Bracket	
Termination	e-chamber, screw terminals	
Weight w/transformer	3,8 kg	
IP-rating	67	
Max. / min. amb. temp	50°C / -50°C	
Rated / max. power	20 W / 20 W	
SPL 1W/1m	106 dB	101 dB
SPL rated power	117 dB	114 dB
Effective freq. range	370 – 6000 Hz	400-5000
Dispersion (-6dB) 1kHz / 4kHz	125° / 35°	105° / 35°
Directivity factor, Q		
Options	Impedances, colors, labels	

### Installation, Operation and Maintenance Procedures

- Unscrew lid, lead cable through cable gland and connect to terminal according required power.
- If the Ex-loudspeaker is to be earthed, it must be done correctly using the specially marked screws.
- Tight cable gland and screw lid back on with 2-3 Nm to assure IP grade.
- Fasten the bracket with three screws and ensure to use all washers in the intended position. (To isolate the main body from the bracket).
- To change the position of the loudspeaker, please adjust the bracket (by loosening / tightening the screws) as required.
- Use only certified/specified cable glands and blanking plugs.
- Standard model delivered with two M20 Ex approved plastic blinding plugs.
- The loudspeaker should be checked on a regular basis to avoid any build up of debris.
- The aluminum surface of the loudspeaker should be treated regularly with paint at the same interval as with other similar outdoor equipment.
- For optimum performance, always use the correct voltage / power and operate within the frequency limits as stated.
- Do not open loudspeaker when energized.
- This loudspeaker is supplied with a two years warranty against defective workmanship.

DNH reserves the right to alter specifications without notice

