

ABS & Stainless Steel Case, Liquid Filled



900 SERIES

- High quality liquid filled gauge
- Vacuum and compound ranges through 0 psi to 15,000 psi
- 1-1/2", 2", 2-1/2" and 4" gauge sizes
- Impact-resistant ABS and stainless steel case
- Copper alloy and brass wetted parts

OPERATING SPECIFICATIONS

1. Working Pressure Limitations

a. Dynamic Pressure

The working pressure should be limited to 60% of the dial range.

b. Static Pressure

The working pressure, where no sharp fluctuations occur, should be limited to 90% of the dial range

APPLICATIONS

- Automotive
- Construction
- Hydraulics & pneumatics
- Power generation
- Transportation
- Water management

	SERIES	SPECIFICATIONS
Pressure ranges	900 Series (all)	Vacuum and compound ranges through 0 psi to 15,000 psi
Accuracy	15-910	±2.5% full scale
	25-900, 25-910, 25-901, 25-911	±1.6% full scale
	40-901, 40-911	±1% full scale
Temperature ranges*	900 Series (all)	Media -4 °F to 140 °F (-20 °C to 60 °C) Glycerine fill -40 °F to 140 °F (-40 °C to 60 °C) Special fill Ambient -4 °F to 140 °F (-20 °C to 60 °C) Glycerine fill -40 °F to 140 °F (-40 °C to 60 °C) Special fill
Measuring element	900 Series (up to 600 psi)	Copper alloy C-Type Bourdon tube
	900 Series (> 600 psi)	Coiled safety tube
Connection	15-910	1/8" NPT, brass
	25-900, 25-910, 25-901, 25-911	1/4" NPT or 7/16"-20 adjustable, brass
	40-901, 40-911	1/4" NPT, brass 1/2" NPT, brass
Case	15-910, 25-900, 25-910	ABS with safety relief plug
	25-901, 25-911, 40-901, 40-911	304 stainless steel
Bezel	25-901, 25-911, 40-901, 40-911	304 stainless steel
Lens	15-910, 25-900, 25-910	Acrylic; ultrasonically welded to the case
	25-901, 25-911	Polycarbonate
	40-901, 40-911	Instrument glass
Pointer	15-910, 25-900, 25-910, 25-901, 25-911	Molded plastic
	40-901, 40-911	Balanced aluminum, black finish
Dial	15-910, 25-900, 25-910, 25-901, 25-911	Molded plastic, white background with black primary scale & red secondary scale. UV resistant
	40-901, 40-911	Aluminum, white background with black primary scale & red secondary scale. UV resistant.
Movement	15-910, 25-900, 25-910, 25-901, 25-911,	Brass and nylon with highly polished bearing surfaces
Fill liquid**	900 Series (all)	Glycerine

For details on accuracy/standard dial configuration and dial layouts, see pages 54-59.

* For every 18 °F (10 °C) shift in temperature from which the gauge is calibrated, the user can experience up to ±0.4% additional error.

**See page 53 for gauge fill options.

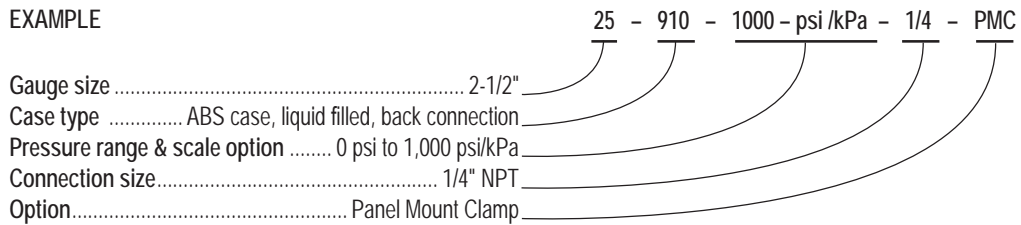
ORDERING INFORMATION										
GAUGE SIZES	15 1-1/2"		20 2"		25 2-1/2"		40 4"			
CASE TYPES	900 ABS Case, bottom connection				910 ABS Case, back connection					
	901 SS Case, bottom connection				911 SS Case, back connection					
PRESSURE RANGES	30vac -30 inHg to 0 psi		100 0 psi to 100 psi		5000 0 psi to 5,000 psi		10 0 bar to 10 bar			
	30/15 -30 inHg to 0 to 15 psi		160 0 psi to 160 psi		6000 0 psi to 6,000 psi		16 0 bar to 16 bar			
	30/30 -30 inHg to 0 to 30 psi		200 0 psi to 200 psi		7500 0 psi to 7,500 psi		25 0 bar to 25 bar			
	30/60 -30 inHg to 0 to 60 psi		300 0 psi to 300 psi		10000 0 psi to 10,000 psi		40 0 bar to 40 bar			
	30/100 -30 inHg to 0 to 100 psi		400 0 psi to 400 psi		15000 0 psi to 15,000 psi		60 0 bar to 60 bar			
	30/160 -30 inHg to 0 to 160 psi		600 0 psi to 600 psi		-1 -1 bar to 0 bar		100 0 bar to 100 bar			
	30/200 -30 inHg to 0 to 200 psi		800 0 psi to 800 psi		1 0 bar to 1 bar		160 0 bar to 160 bar			
	30/300 -30 inHg to 0 to 300 psi		1000 0 psi to 1,000 psi		1.6 0 bar to 1.6 bar		250 0 bar to 250 bar			
	15 0 psi to 15 psi		1500 0 psi to 1,500 psi		2.5 0 bar to 2.5 bar		400 0 bar to 400 bar			
	30 0 psi to 30 psi		2000 0 psi to 2,000 psi		4 0 bar to 4 bar		600 0 bar to 600 bar			
	60 0 psi to 60 psi		3000 0 psi to 3,000 psi		6 0 bar to 6 bar		1000 0 bar to 1,000 bar			
SCALE OPTIONS	psi psi single scale		psi/kg/cm ² psi/kg/cm ² dual scale		bar/psi bar/psi dual scale		psi/kPa psi/kPa dual scale			
	psi/bar psi/bar dual scale									
CONNECTION SIZES	1/8 1/8" NPT		1/4 1/4" NPT		1/2 1/2" NPT		SST SAE J1926-3/716-20 Adjustable*			
OPTIONS	PMC Steel Panel Mount Clamp		AP Adjustable Pointer		SSFF 304SS Front Flange		BP3 Brass Press Fit Orifice 0.3 mm			
	SPMC 304SS Panel Mount Clamp		MIP Maximum Indicating Pointer		SSRF 304SS Rear Flange		BT5 Brass Threaded Orifice 0.5 mm			
	SSBU Stainless Steel Bezel & U-clamp		SP Red Set Pointer		LM Laser Marking		BT8 Brass Threaded Orifice 0.8 mm			
	SSB Stainless Steel Bezel		SG Safety Glass Lens		ST Stainless Steel Tagging					
	SSCR 304SS Cover Ring		BLFF Black Front Flange							

Please consult your local NOSHOK Distributor or NOSHOK, Inc. for availability and delivery information.

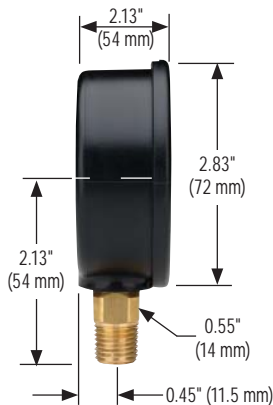
NOTE: Refer to 900 Series Options & Accessories chart on page 53 for availability by series number.

* Includes FKM o-ring

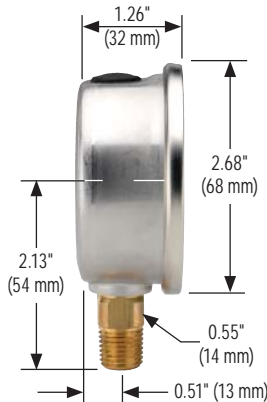
EXAMPLE



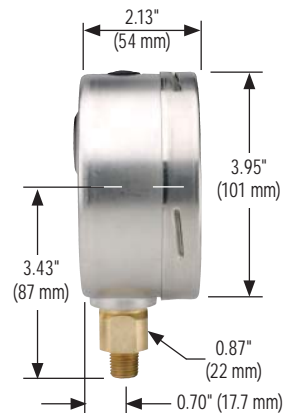
25-900



25-901

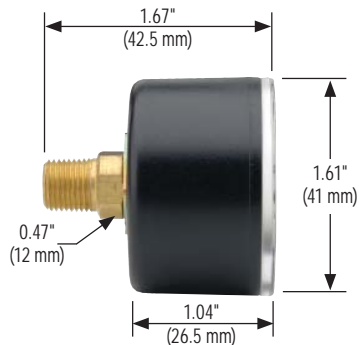


40-901

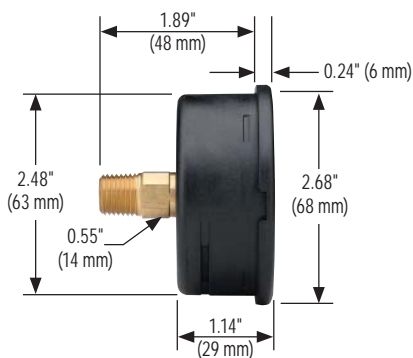


Dimensions

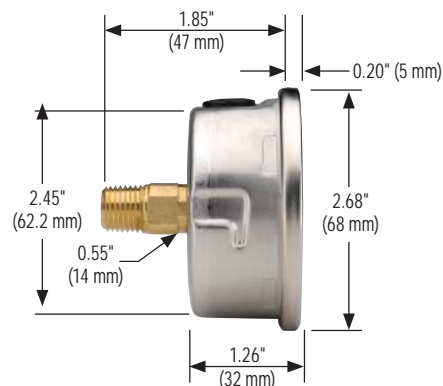
15-910



25-910

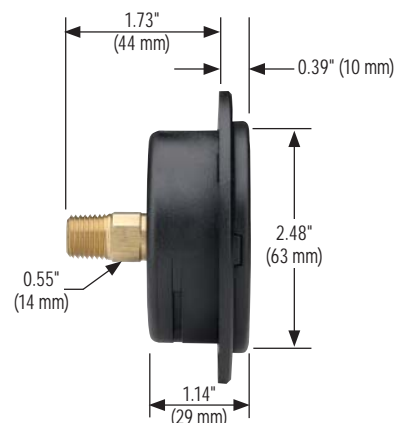
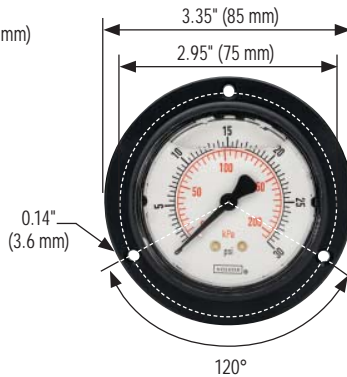
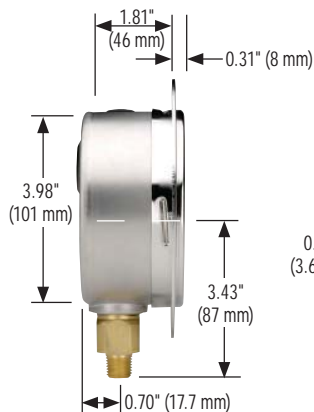
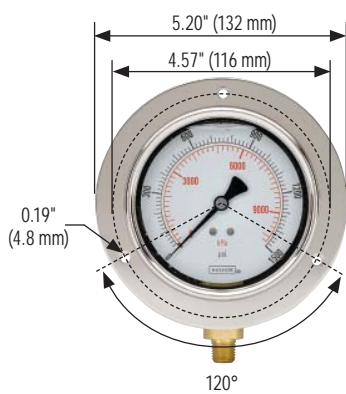


25-911



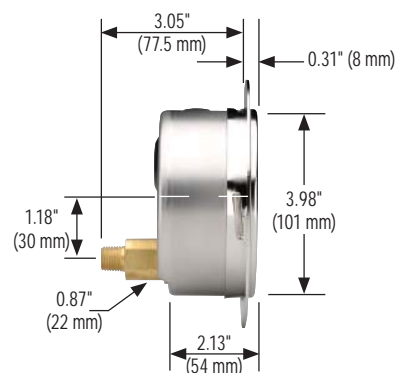
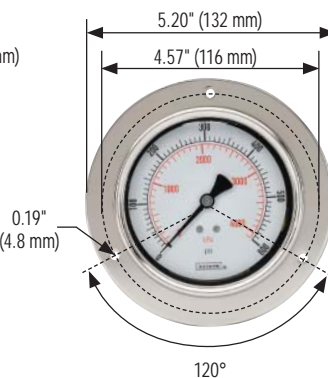
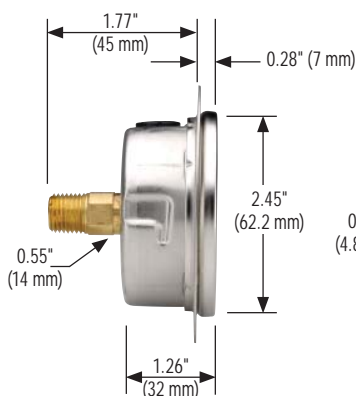
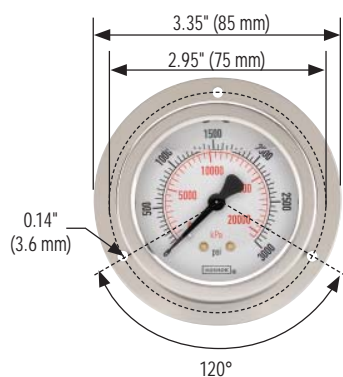
40-901 Front Flange

25-910 Front Flange

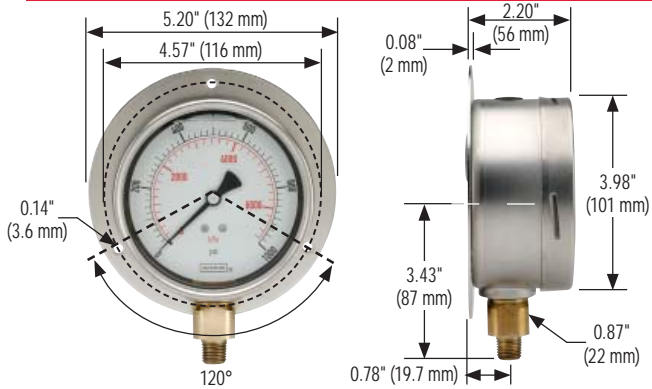


25-911 Front Flange

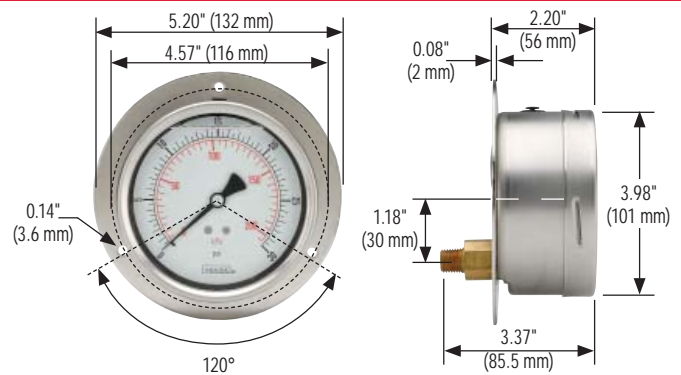
40-911 Front Flange



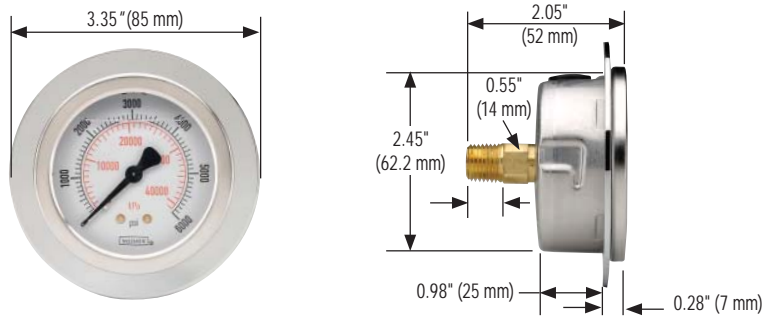
40-901 Rear Flange



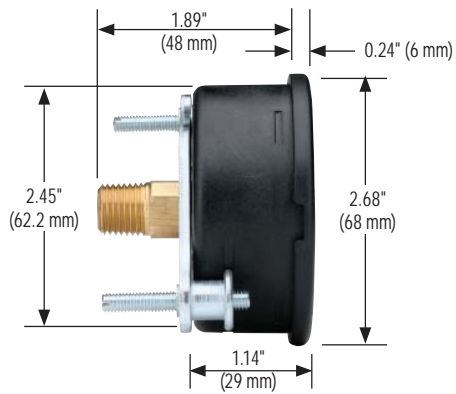
40-911 Rear Flange



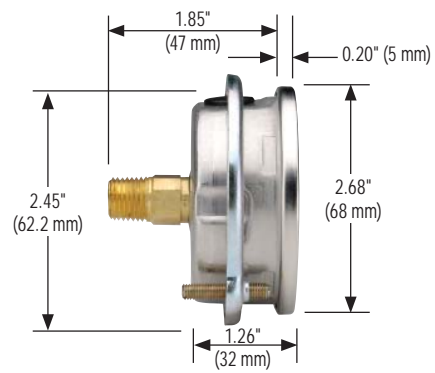
25-911 Flange Ring



25-910 Panel Mount Clamp



25-911 Panel Mount Clamp



40-911

