

UDS

UDS1

Dimensions (mm) \varnothing 48 x 18.5

Voltage (V) 6-230

Speed (rpm) 50 Hz 500
60 Hz 600

Pole number 12

Running torque
(cNm) 50 Hz 0.9
60 Hz 0.8

Power output (W)
50 Hz 0.5
60 Hz 0.5

Gear combination D, M, B, F, V, J



Standard Data

Climatic class	wide-spread according to DIN IEC 60721-2-1 : 1992
Ambient temperature operation	°C -15...+60
Ambient temperature storage	°C -20...+100
Thermal resistance at f=0 R _{therm}	17 K/W
Thermal class	105 (A) according to DIN EN 60085 : 2004 for approval standard 130 (B) according to DIN EN 60085 : 2004 for approval UL/CSA
Approval	standard/UL/CSA
Mounting	any position
Electrical connection	cable
Protection	IP40 according to DIN EN 60529 : 2000
Weight	102 g
Rotor stalling	motor can be stopped when voltage is applied, without being overheated
Bearings	plastic, self-lubricating
Electric strength	according to DIN EN 60034-1/DIN EN 60335-1

Order Reference

Type	Synchronous Motor	UDS1	:	0	:	N	:	B4	:	R	:	N
Rotor shaft, mounting	0 centring 8 mm, shaft 1.5 mm, clip 1 centring 8 mm, shaft 2.0 mm, clip											
Approval	N Approval Standard U Approval UL/CSA											
Voltage/Frequency	See next page											
Direction	R clockwise rotation L Counter-clockwise rotation											
Cable	N cable 150 mm (other on request)											

Technical Data

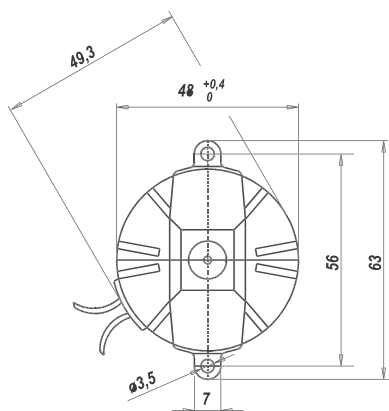
Rated frequency	Hz	50	60
Speed n	rpm	500	600
Power consumption*	W	2.4	1.8
Power output	W	0.5	0.5
Running torque	cNm	0.9	0.8
Rotor inertia J _R	gcm ²	11	
Detent torque M _s	cNm	0.27 (in direction of rotation)	
Tolerance of voltage		standard power supply system + 10% / - 10%	
Winding temperature T _{max}	°C	105 for approval Standard (N) 130 for approval UL/CSA	

Direction of rotation: clockwise or counter-clockwise

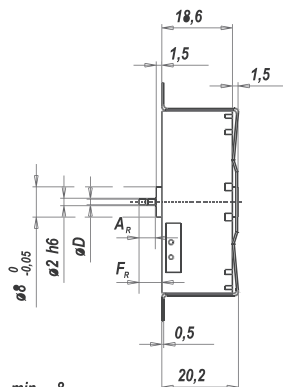
UDS1	Rated voltage U _N	V	6	12	24	36	42	48	60	110	110-120	230	110/230	24/48
	Duty cycle	%	100	100	100	100	100	100	100	100	100	100	100	100
	Resistance R ₂₀	Ω	5.5	24	78	193	285	330	500	1830	1830	7500	2180/5500	105/260
	Winding code		A6/F6	B1/G1	B4/G4	B6/G6	B8/G8	C1/H1	C2/H2	C8/H8	D1/J1	D5/J5	R1/S1	R4/S4
UDS1 Approval U	Rated voltage U _N	V	6	12	24	48	100	110	110-120	230	110/230	24/48		
	Duty cycle	%	100	100	100	100	100	100	100	100	100	100		
	Resistance R ₂₀	Ω	5.5	24	78	330	1350	1830	1830	7500	2180/5500	105/206		
	Winding code		A6/F6	B1/G1	B4/G4	C1/H1	C7/H7	C8/H8	D1/J1	D5/J5	R1/S1	R4/S4		
UDS3	Rated voltage U _N	V	6	12	24	36	42	48	60	110	230	110/230	24/48	
	Duty cycle	%	100	100	100	100	100	100	100	100	100	100	100	
	Resistance R ₂₀	Ω	5.5	24	78	193	285	330	500	1830	7500	2180/5500	105/260	
	Winding code		A6/F6	B1/G1	B4/G4	B6/G6	B8/G8	C1/H1	C2/H2	C8/H8	D5/J5	R1/S1	R4/S4	
UDS4	Rated voltage U _N	V	12	24	42	48	110-120	230						
	Duty cycle	%	100	100	100	100	100	100						
	Resistance R ₂₀	Ω	23	98	322	390	2200	8700						
	Winding code		B1/G1	B4/G4	B8/G8	C1/H1	D1/J1	D5/J5						

*can vary for different windings (rated voltages)

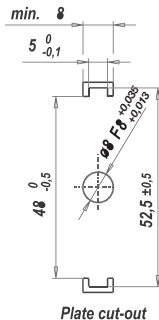
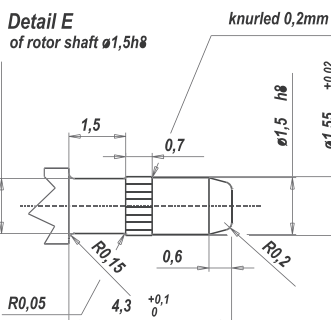
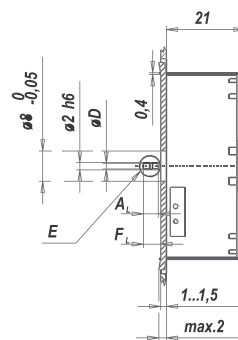
Dimensions



Mounting with screw clip
(item no. 4186 48200)



Mounting with snap-on clip
(item no. 4199 48000)



øD Rotor shaft	Clockwise		counter clockwise	
	Dim. A _R	Dim. F _R	Dim. A _L	Dim. F _L
1,5h8 ⁰ _{-0,014}	4,3 ^{+0,1} ₀	6,05	4,3 ^{+0,1} ₀	6,45
2h6 ⁰ _{-0,006}	—	6,05	—	6,45