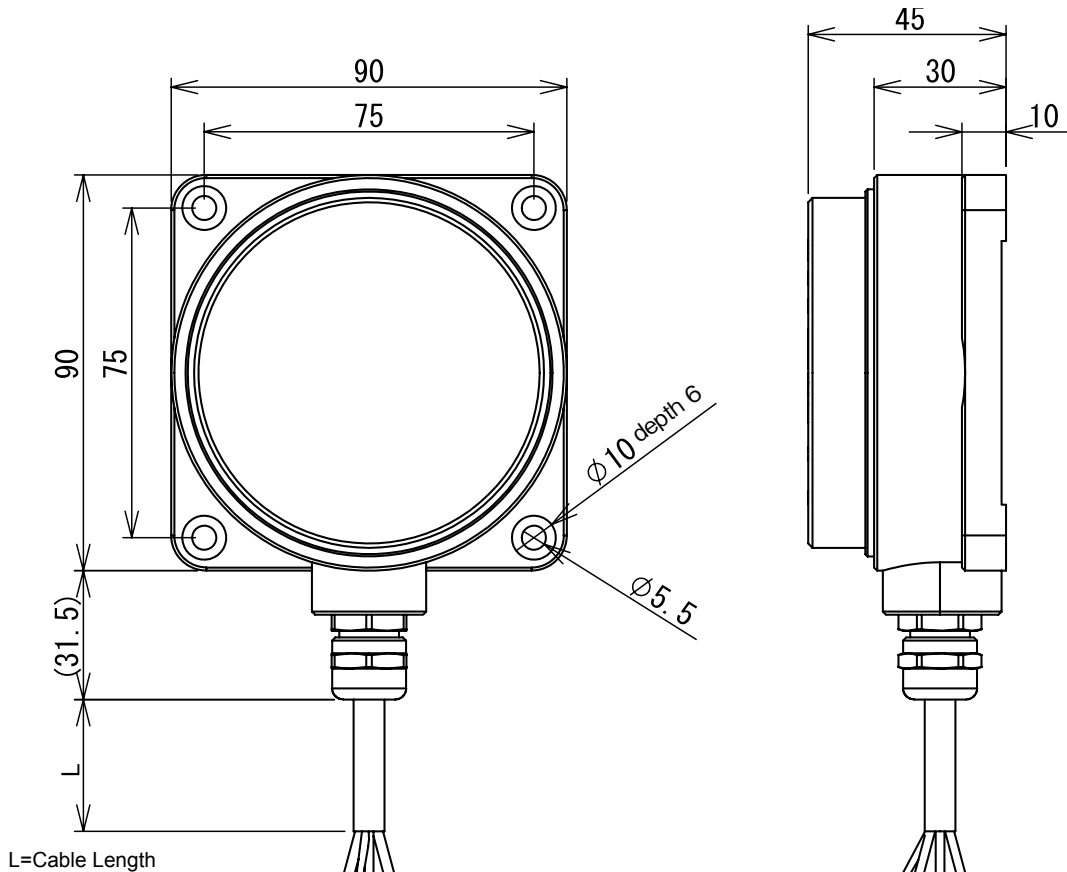


Type code:RCH08E-211-PU- \_ \_

Remote Coupler System  
Base Head



[ Dimension ]



**[Wiring]**  
Brown : +24V  
Blue : 0V  
Black : sout  
White : sin  
shield : FG

L=Cable Length

\*Indicated in \_ per meters at the end of the type code

**[ Specification ]**

Operating Voltage	24 V DC +/- 5% (incl.ripple)	
Current consumption	≤ 4 A	
Operating temperature	0...+50 deg.C.	
Operating humidity	35...90% RH	
Storage temperature	-25...+70 deg.C.	
Storage humidity	35...90 % RH	
Isolation	≥ 50M Ohm (at DC500VM), case to circuit	
Dielectric strength	1000 VAC / 1min. case to circuit	
Vibration rating	10..55 Hz, amplitude 1.5 mm 2 hrs. each axis to x-y-z.	
Shock rating	50 G , 3 times each axis to x-y-z, total 18 times.	
Protection class	IP 67	
Cable	PUR :Phi7.8 mm/2x 1.25mm <sup>2</sup> (Brown • Blue)+2x 0.2mm <sup>2</sup> (Black • White)	
Material	Case	Aluminum
	Active surface	ABS + PBT
Weight	600g+120g/m (cable)	

**[Notes]**

1.Applicable Remote head : RCH08T-211-PU series.

Type code	RCH08E-211-PU- _ _	Date	2012.09.07	Rev.	Value date	Contents.
		No.	D306801Be	B	2012.09.07	Cable changed.
		3RD ANGLE P.	1/1			