

Miniature solenoid - Spring / Differential

Ordering code

243A.52.00.V.T

CONNECTIONS

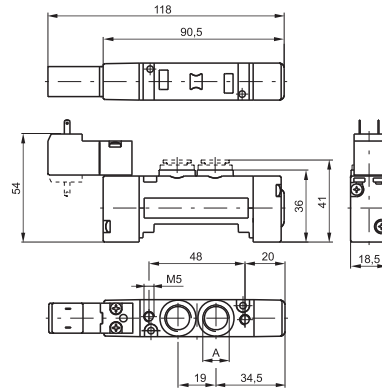
- 1 = G1/4"
- 5 = G1/8"
- 6 = quick fitting tube Ø6
- 8 = quick fitting tube Ø8

VERSION

- 39 = Sol. - Spring
- 29 = Sol. ext. - Spring
- 36 = Sol. - Differ.
- 37 = Sol. ext. - Differ. ext.
- 26 = Sol. ext. - Differ.
- 27 = Sol. ext. - Differ. ext.

COIL VOLTAGE

- 01 = 12V DC
- 02 = 24V DC
- 05 = 24V AC
- 06 = 110V AC
- 07 = 230V AC
- 08 = 24V DC 1 Watt
- 09 = 24V DC Earth Faston
- 11 = 12V DC Downward
- 12 = 24V DC Downward
- 15 = 24V AC Downward
- 16 = 110V AC Downward
- 17 = 230V AC Downward
- 18 = 24V DC 1 Watt Downward
- 19 = 24V DC Earth Faston Downward



For dimension "A" see ordering code



Operational characteristic

Fluid	Flow rate at 6 bar with $\Delta p=1$ (NI/min)	Max working pressure (bar)	Orifice size (mm)	Pilot ports size	Minimum piloting pressure (bar)	Weight (gr.)	Temperature °C
Filtered air, with or without lubrication	800	10	7	M5	2	140	-5 ÷ +50

Miniature solenoid - Miniature solenoid

Ordering code

243A.52.00.V.T

CONNECTIONS

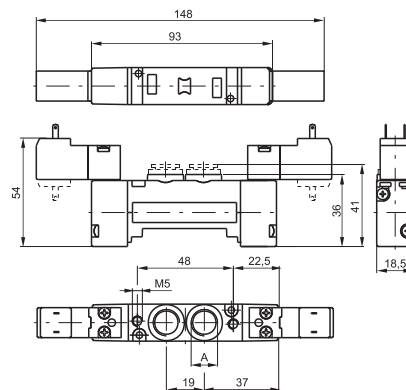
- 1 = G1/4"
- 5 = G1/8"
- 6 = quick fitting tube Ø6
- 8 = quick fitting tube Ø8

VERSION

- 35 = Sol. - Sol.
- 24 = Sol. ext. - Sol. ext.

COIL VOLTAGE

- 01 = 12V DC
- 02 = 24V DC
- 05 = 24V AC
- 06 = 110V AC
- 07 = 230V AC
- 08 = 24V DC 1 Watt
- 09 = 24V DC Earth Faston
- 11 = 12V DC Downward
- 12 = 24V DC Downward
- 15 = 24V AC Downward
- 16 = 110V AC Downward
- 17 = 230V AC Downward
- 18 = 24V DC 1 Watt Downward
- 19 = 24V DC Earth Faston Downward



For dimension "A" see ordering code



Operational characteristic

Fluid	Flow rate at 6 bar with $\Delta p=1$ (NI/min)	Max working pressure (bar)	Orifice size (mm)	Pilot ports size	Minimum piloting pressure (bar)	Weight (gr.)	Temperature °C
Filtered air, with or without lubrication	800	10	7	M5	1,5	175	-5 ÷ +50