

**Tooling Guide for
Aerospace Wiring Systems**



60
Celebrating 60 Years!

An ISO 9001:2008
& AS9100:2004
Registered
Company

Preface and Table of Contents

Daniels tools have been utilized in military aircraft and aerospace programs for over 60 years (DMC founded in 1949). By continuously planning and adding to our product lines, we are now fulfilling the demands of other high technology fields such as telecommunications, fiber optics, lasers, and many other areas of electronic packaging.

The people behind the DMC name are pleased to present our Connector Assembly Tools and Accessories on the pages that follow. We believe the application data which accompanies each section will answer your specific questions concerning tooling; however, we encourage you to contact us by telephone or fax for the personal services of our knowledgeable staff of application experts.

CONTENTS

| | |
|---|----|
| Important Facts About Crimping | 1 |
| Tensile Test Systems | 2 |
| MPT-250B (Motorized 250 lb)..... | 3 |
| PT-150H (Manual 150 lb)..... | 4 |
| HPT-200 (Portable, Manual 200 lb) | 5 |
| Standard Adjustable Indent Crimp Tool..... | 6 |
| M22520/1-01 (AF8)..... | |
| Miniature Adjustable Indent Crimp Tools..... | 8 |
| M22520/2-01 (AFM8)..... | 8 |
| M22520/7-01 (MH860)..... | 9 |
| M22520/34-01 (39-000)..... | 9 |
| Battery Powered Hydraulic Indent Crimp Tools..... | 10 |
| Pneumatic Indent Crimp Tools | 12 |
| Auto-Lift Pneumatic Indent Crimp Tools | 14 |
| Large Gage Pneumatic Indent Crimp Tools..... | 16 |
| M22520/23-01 (WA23)..... | |
| Large Gage Contact Application Information | 17 |
| Technical Application Guide for Contacts and Connectors | 22 |
| Connector Illustration | 22 |
| Contact Color Code (BIN)..... | 22 |
| M39029 Contact Quick Location Chart | 23 |
| MIL-STD-1760 Connector Tooling | 24 |
| Installing and Removal Tools..... | 56 |
| MIL-I-81969..... | |
| Contact Retention Test Tools | 62 |
| Contact Gages | 63 |
| Unwired Contact Removal Tools | 64 |
| M81969/30..... | |
| BETA Backshell Torque Tools | 65 |
| EMI/RFI Band Application System | 66 |
| MIL Spec Circular Indent Crimp Tools | 69 |
| M22520/4-01 (GS100-1)..... | |
| M22520/31-01 (GS200-1)..... | |
| Open Frame Crimp Tools | 70 |
| M22520/5-01 (HX4)..... | |
| M22520/10-01 (HX3)..... | |

| | |
|---|-----|
| Battery Powered Hydraulic Open Frame Crimp Tools | 72 |
| Pneumatic Open Frame Tools | 74 |
| X-Die Pneumatic Tool/Bench Press Hand Tools..... | 75 |
| Electric Hydraulic Open Frame Crimp Tool | 76 |
| DMC Y-Dies For A Full Range of Capabilities | 77 |
| Typical Y-Die Configurations and Applications | |
| Coaxial Contact Tool Selection Guide | 78 |
| R.F. Connectors Tool Selection Guide | 80 |
| Mid-Current Range Adjustable Indent Crimp Tools | 92 |
| Circular Indent Crimp Tools | 96 |
| Special Application Indent Crimp Tools..... | 98 |
| MH835 & MH992 (Fine Tipped Indenter Tools) | 98 |
| MH800 (Ultra Precision)..... | 99 |
| MH820 (Stainless Steel Indenter)..... | 99 |
| SC8 & MH993 (Biased Crimp Tools)..... | 100 |
| Dedicated Application Indent Crimp Tools..... | 101 |
| LH8 (for Burndy YHMM Series Contacts)..... | |
| GS217 (MIL-C-22442/32-1 Clamping Ring Crimp Tool)..... | |
| GMT Series Precision Crimp Tools..... | 102 |
| Battery Powered Hydraulic GMT Crimp Tools..... | 104 |
| DCT Series Crimp Tools | 106 |
| Hydrac 3.5 Ton Hydraulic Y-Die Crimp Tool..... | 108 |
| Hydrac 3.5 Ton Hydraulic HD36-Die Crimp Tool | 109 |
| Hydrac 5.5 Ton Hydraulic HD51-Die Crimp Tool | 112 |
| Hydrac 7 & 12 Ton Hydraulic Crimp Tool for HD002, HD485, and HD442 Dies (AS5259)..... | 114 |
| Air Powered Hydraulic Pump (HPU11M) | 116 |
| Hydrac 7 Ton Dieless Four Indent Crimper..... | 116 |
| Wire Harness Spoon..... | 117 |
| Cable Tie Removal Tools..... | 117 |
| Technical Application Guide for Terminals and Splices | 118 |
| Hand-Held Pneumatic Wire Stripping Tool..... | 164 |
| Swaging Tool & Tool Kit | 166 |
| Wiring System Service Kits | 168 |
| Limited Warranty..... | 172 |

DANIELS MANUFACTURING CORP.
526 THORPE RD. • ORLANDO, FL 32824 U.S.A.
PHONE 407/855-6161 • FAX 407-855-6884
E-MAIL: DMC@DMCTOOLS.COM • WWW.DMCTOOLS.COM
CAGE CODE: 11851

**FOR WARRANTY & LIMITATION OF LIABILITY
INFORMATION SEE PAGE 172**

NOTICE

ANY PRICES WE QUOTE VERBALLY OR ANY PRICES APPEARING IN OUR PRINTED PRICE LISTS ARE SUBJECT TO CHANGE WITHOUT PRIOR NOTICE. IF YOU NEED FIRM PRICES FOR FUTURE DELIVERIES YOU SHOULD REQUEST A WRITTEN QUOTATION FROM OUR SALES OFFICE. WE ARE NOT LIABLE FOR CONSEQUENTIAL OR SPECIAL DAMAGES OF ANY NATURE OR KIND, RESULTING FROM THE USE OF ANY OF OUR PRODUCTS.

Important Facts About Crimping

TIME LINE FOR CRIMP TECHNOLOGY

- 1940s** All terminations were soldered (Hard-wired)
- 1953** AMP introduced Crimp Barrel Terminals
- 1957** Cannon Brothers experimented with Machined Contacts with Crimp Barrels
- 1960** Buchanan introduced the 4 Indent Crimp Tool with a Ratchet (Ref: MS3191)
- 1963** MS3191-1 was published as the first Crimp Tool Standard.
- 1965** MS3191-4 introduced by Daniels Manufacturing Corp.
- 1969** MIL-T-22520 published and dated to replace all previous specifications
- 1974** Changed to MIL-C-22520, and many Slash Sheets added
- 1996** Changed to MIL-DTL-22520
- 2010** Changed to AS22520

CRIMPING: THEN AND NOW

The first multi-pin connectors were terminated by soldering the conductor to non-removable contacts. However, high temperature applications and the need for simple and reliable field service led to the introduction of connectors with removable contacts. These were crimped onto the conductor rather than being soldered.

The first standard crimp tool developed to crimp these new contacts was introduced in the early sixties. MS3191-1, a military drawing, defined this tool and its accessories. The MS3191-1 utilized a four indent crimp pattern together with a positive stop locator which controlled the travel of the indenters (crimp depth).

The MS3191-1 design was a compromise between simplicity of operation and crimp performance since the crimp depth for any given contact was not adjustable to accommodate the differing diameters of the conductors to which it would be crimped. It was, however, suitable for the crimp connectors of that era.

An improved tool design featuring independently adjustable crimp depths was soon introduced as MS3191-4. The MS3191-4 had an internal adjustment, totally independent of the locator, which permitted the selection of seven separate crimp depths, allowing optimal crimping of conductors ranging from AWG 12 to 26 regardless of the wire barrel size of the contact.

MS3191-4 also introduced the use of the double tipped indenter to produce an eight indent crimp pattern which has consistently achieved superior tensile pull off values.

MS3191-4 introduced the concept of a turret head containing three locators which could be used without separating any of them from the basic crimp tool.

In 1969 two military specifications for crimp tools were developed to replace the existing military drawings. They were MIL-T-22520C (Navy) and MIL-T-83724 (USAF) which defined a standard size crimp tool similar to the MS3191-4, but with an expanded eight step crimp depth range. These specifications also defined a miniature crimp tool to crimp conductors as small as AWG 32.

Both documents were combined in 1971 into MIL-C-22520D. All previous military standards for crimp tools were then cancelled including the MS3191. This list includes specifications for indent crimp tools, terminal lug crimp tools, pneumatic tools, coaxial cable crimp tools and connector service kits.

MIL-DTL-22520 established a single specification which set forth performance requirements for all crimp tools to be used on military standard electrical connectors. This eliminated the waste and confusion which accompanied the overlapping applications of many different "standard" crimp tools called out by a deluge of unrelated military drawings.

THE CRIMPING CONCEPT

Crimping is a method of firmly attaching a terminal or contact end to an electrical conductor by pressure forming or reshaping a metal barrel together with the conductor. The forming of a satisfactory crimp depends on the correct combination of conductor, crimp barrel and tool.

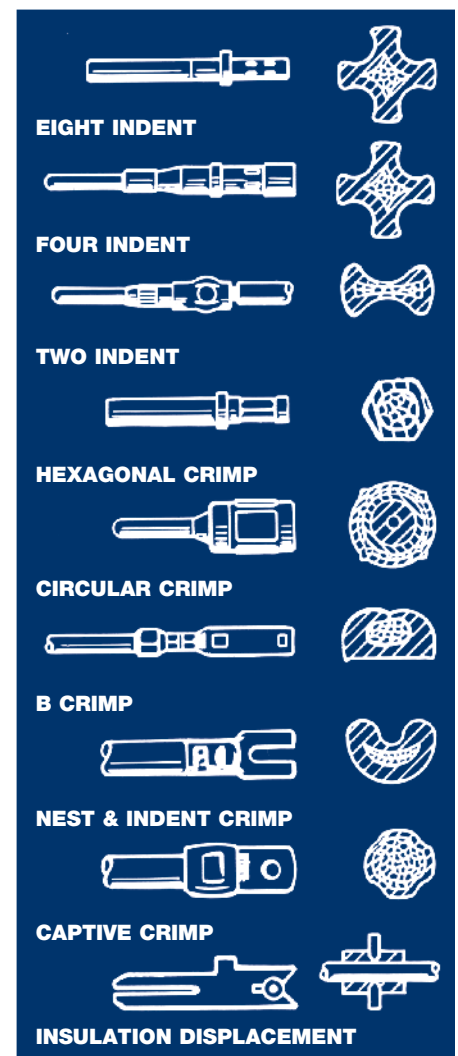
When applied with a properly matched tool, a union is established which has both good electrical and mechanical characteristics. The tool will provide these requirements consistently and reliably with repeatability assured by quality cycle controlled tooling. There are several common configurations of crimped joint; several examples are shown below.

The electrical resistance of a properly designed and controlled crimped joint should be equal to, or less than, the resistance of an equal section of wire.

Specifications state the requirements in terms of millivolt drop at a designated current.

The mechanical strength of a crimped joint and hence its pull-out force (tensile strength), varies with the deformation applied. Therefore, by properly shaping the deformation a high pull-out force can be achieved, i.e. the crimp die of the tool determines the crimp configuration and deformation.

The dies in the tool determine the completed crimp configuration which is generally an element of contact and/or connector design. Some of the design considerations are: a) The type of contact, its size, shape, material and function, b) The type and size of wires to be accommodated, c) The type of tooling into which the configuration must be built.



Tensile Test Systems

For Wire Terminations and Similar Applications



THE DEPENDABLE ALPHATRON™ TENSILE TEST SYSTEM

Now available from DMC is a line of Electronic Tensile Test Systems which may be used in conjunction with SPC Programs or other Quality Control disciplines in both OEM and maintenance applications. The electronic digital readout displays are a fast and reliable source of test data.

The rugged construction and the portable design of these test machines make any of them a superior choice for on-site or laboratory use in an infinite variety of applications. The operation of the equipment is simple yet versatile, and DMC will customize the gripping

jaws or other components to make test sample installation and removal an easy task.

Models are available with output display readings in Pounds, Newtons, and/or Kilograms to conform with the requirements of the user's system. Units are available for either 115 or 230 volt power input.

It's only natural that the company which supplies the best wire termination tools and equipment would add the very best Digital Tensile Testers to further meet the demand for fewer sources and improved support through a wider range of user needs.

The MPT-250B Motorized Wire Crimp Pull Tester is ideal when a constant rate of pull is desired. It tests crimp strength on terminations up to size 8 in Mil-Spec applications, and size 1/0 AWG in commercial and automotive applications.

The PT-150H Manual Wire Crimp Pull Tester is ideal for testing crimp strength up to size 10 for Mil-Spec applications, and size 4 AWG for commercial and automotive applications.

The HPT-200 hand-held pull tester blends the accuracy and rugged design of the Alphatron pull testers into a self-contained, portable, rechargeable battery powered unit. It is ideal for testing crimp strength up to size 10 AWG in Mil-Spec applications, and size 10 AWG in commercial and automotive applications.

MPT-250B-SC MOTORIZED SAFE-T-CABLE™ TESTER

The specifications for this model are the same as MPT-250B.

The MPT-250B-SC is equipped to test .020", .032" and .040" diameter Safe-T-Cable™.



**MOTORIZED PULL TESTERS
MPT-250B**



**MANUAL PULL TESTERS
PT-150H**



**HAND-HELD PORTABLE PULL TESTER
MODEL HPT-200**

GENERAL SPECIFICATIONS

| | MPT-250B | PT-150H | HPT-200 |
|------------------------------|---|---|---|
| Capacity | 250 lbf 113 kg 1112 N | 150 lbf 68.0 kg 667 N | 200 lbf 90.7 kg 889 N |
| Accuracy | ±0.5% (1/2 of 1%) | ±0.5% (1/2 of 1%) | ±0.5% (1/2 of 1%) |
| Resolution | 0.1 lbf | 0.1 lbf | 0.1 lbf |
| Display Type | Digital Display w/Peak Hold Reading | Digital Display w/Peak Hold Reading | Digital Display w/Peak Hold Reading |
| Display | LED w/.56" high digits | LED w/.56" high digits | LED w/.56" high digits |
| Electrical | 115 VAC, 50/60 Hz 230 VAC, 50/60 Hz | 115 VAC, 50/60 Hz 230 VAC, 50/60 Hz | Int. Battery 115 VAC, 50/60 Hz Charger 230 VAC, 50/60 Hz Charger Available |
| Operating Temperature | 50°F to 100°F (10° to 38°C) | 50°F to 100°F (10° to 38°C) | 50°F to 100°F (10° to 38°C) |

DIMENSIONS

| | MPT-250B | PT-150H | HPT-200 |
|---------------|--------------------------------------|---------------------------------------|--|
| Height | 9.5 in. (24.13 cm) | 5 in. (12.7 cm) | 2 in. (5.08 cm) case |
| Width | 10 in. (25.4 cm) | 8.5 in. (21.6 cm) | 9.5 in. (24.13 cm) case |
| Depth | 15 in. (38.1 cm) | 16 in. (40.6 cm) | 6.25 in. (15.87 cm) case |
| Weight | 26 lbs. (11.78 kg) (less options) | 15.2 lbs. (6.89 Kg) (less options) | 2.5 lbs. (1.13 kg) case and hand unit |

MPT-250B

Motorized Wire Crimp Pull Tester

The MPT-250B Motorized Wire Crimp Pull Tester has a range from five pounds force to two-hundred and fifty pounds (2-113 Kg, 22-1112 N).

You can expect the same precision and dependability that has established all ALPHATRON® testers as the first choice for wire harness builders and component suppliers throughout the industry. The 250 pound capacity of this tester will extend the range of testing capabilities to size 8 Mil-Spec applications*, and size 1/0 AWG in commercial and automotive applications** (Reference AS7928 and UL486 Respectively).

The portable design (25 pounds, 9.5"x10"x16") and the rugged construction (machined aluminum and steel) contribute to the versatility and reliability of the MPT-250B Pull Tester. A variety of options, including standard and custom grips for all types of wire terminations are available on this tester. The operation of the tester is simple and has automatic reset and auto-stop features incorporated into the design. The peak-hold digital display indicates the highest pull force that is measured by the accurate load cell/digital processor until the reset switch is pressed.

Consult the factory for more specific information, and application verification.
NSN: 6635-01-581-9996

SPECIFICATIONS FOR THE MPT-250B MOTORIZED WIRE CRIMP PULL TESTER

- Capacity Range 5-250 lbs. (2-113 kg, 22-1112 N)
- Pull Rate: 1 to 10"/min. Push-button Selectable in 1"/min. Increments.
- Pull Rate Accuracy
± 1/8"/min. @ 1-5"/min. Rate of Pull
± 1/4"/min. @ 6-10"/min. Rate of Pull
- Auto-Stop at Wire/Crimp Break Point
- Auto Return to Start Position
- 15 Position Slotted Lower Terminal Grip.
- Display Units in Pounds, Kilograms, or Newtons
- Lb/Kg/Newton Switching Built in

MPT-250B Options: Universal Self-Tightening Cam-Type Lower Grip • Ring Terminal Lower Grip • 7.5-30"/min. Selectable Rates of Pull in 10 2.5"/min. Increments • Adjustable Set-point for Motor Stop at Pre-Set Force.



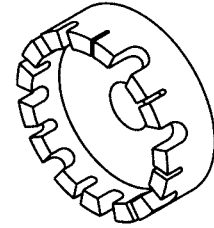
* Size 8 MIL Spec wire pull test is typically 220 pounds force. Sample may not break at 250 pounds.

** May require special grips due to wire diameter.

Terminal & Wire Grips

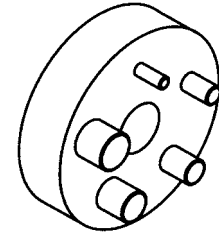
Custom Grips Available.
Consult DMC for details.

SLOTTED TERMINAL GRIP (standard)



P/N 15-3087

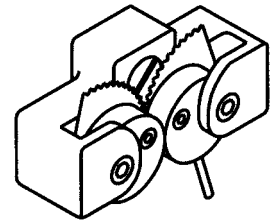
RING TERMINAL GRIP* (optional)



P/N 15-0066

*Some ring terminals are not suitable for this grip.

SELF TIGHTENING GRIP (optional)



P/N 15-3202

MINIATURE TERMINAL GRIP (optional)



P/N 15-3241



PT-150H

Wire Crimp Pull Tester

The PT-150H Manual Wire Crimp Pull Tester is ideal for testing crimp strength up to size 10 for Mil-Spec applications*, and size 4 AWG for commercial and automotive applications**. The PT-150H may be used in conjunction with SPC Programs or other Quality Control disciplines in both OEM and maintenance applications. The electronic digital readout display is a fast and reliable source of test data.

The operation of the equipment is simple yet versatile, and DMC will customize the gripping jaws or other components to make test sample installation and removal an easy task.

* Size 10 MIL Spec wire pull test is typically 150 pounds force. Sample may not break at 150 pounds.

** May require special grips due to wire diameter.



STANDARD FEATURES

- Capacity: 150 lb, 667 N, 68 Kg
- Display units factory set for pounds, newtons or kilograms
- Resolution: 0.1 lb
- Accuracy: $\pm 0.5\%$ of full scale
- Digital Display with Peak Hold
- Backlit LCD Display with 0.56" High Digits
- Self-Tightening Wire Grip
- 15 Position Slotted Terminal Contact Grip
- Lever Arm Pull Mechanism

OPTIONAL ACCESSORY GRIPS

- Ring Terminal Grip (P/N 15-0066)
- Self-Tightening Grip (P/N 15-3202)
- Right Angle Terminal Grip (P/N 15-3042)

PHYSICAL

- Weight 15.2 Lbs.
(Shipping Weight 21 Lbs.)
- Stand Dimensions:
H. 5", W. 8.5", D. 16"

CALIBRATION

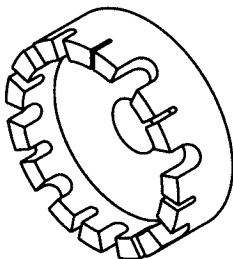
- New units supplied with certificate of calibration traceable to NIST
- Factory calibration available

OPTIONAL FEATURES

- 230 VAC 50/60 Hz Power (P/N 15-7004)

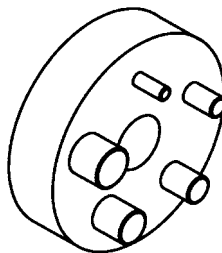
Terminal & Wire Grips Custom Grips Available. Consult DMC for details.

SLOTTED TERMINAL GRIP (standard)



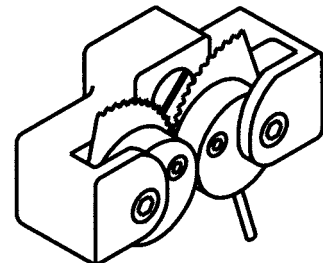
P/N 15-3087

RING TERMINAL GRIP (optional)



P/N 15-0066

SELF-TIGHTENING GRIP (optional)



P/N 15-3202

HPT-200

Hand Held Wire Crimp Pull Tester



Daniels Manufacturing Corporation introduces a portable tensile tester capable of pull testing wire crimps up to 200 pounds (up to 10 AWG wire in most cases).

THE LAB IS NO LONGER THE LIMIT...

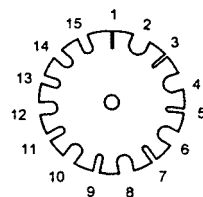
It is only natural that the company, which is known throughout the world for quality wire termination tools and equipment would add the very best portable tensile tester to meet your need for fewer sources and improved support through a wider range of capabilities. The HPT-200 hand held pull tester combines the accuracy and rugged design of the Alphatron pull testers into a portable battery powered unit. We follow that up with our expert factory service and calibration.

The HPT-200 portable tester is an extension of the Alphatron Wire Crimp Pull Tester line of products, which include the PT-150H and MPT-250B. These testers perform pull-force measurements on wire terminations. The rugged construction and portable design of these test machines make any of them a superior choice for on-site or laboratory use.

The lightweight Alphatron HPT-200 is a self-contained tester that extends your testing capability to the shop floor. You no longer have to wait for process samples to arrive in the QA Lab. Durable construction and a convenient carry case ensure protection. The Low Stress tensioning mechanism makes the HPT-200 versatile and easy to use. A built in NIHM battery provides up to 14 hours use on a single charge and the Power Management Circuit allows use during charging.

- Portable, lightweight and ergonomic design
- Built-in NIMH battery, with charger
- Up to 14 hour use on a single charge
- Low stress tensioning mechanism
- Protective carrying case
- Shoulder bag (optional)
- Built-in calibration test
- Accuracy: (0.5% of full scale)
- Resolution: (0.1 pounds)
- Display in newtons, or kilograms is available

UPPER GRIP Standard Terminal Grip



P/N 15-3035

SLOT DIMENSION

| No. | Size (in.) | No. | Size (in.) |
|-----|------------|-----|------------|
| 1 | .031 | 9 | .094 |
| 2 | .250 | 10 | .188 |
| 3 | .047 | 11 | .110 |
| 4 | .236 | 12 | .172 |
| 5 | .063 | 13 | .125 |
| 6 | .218 | 14 | .158 |
| 7 | .080 | 15 | .141 |
| 8 | .203 | | |

SPECIFICATIONS:

- Capacity: 200 LBF, 90.7 kg, 889N
- Accuracy: $\pm .5\%$ of full scale
- Resolution: .1 lbf
- Display Type: Digital display w/ peak hold reading
- Display: LCD w/.56 in. high digits
- Electrical: 115 VAC 50/60 Hz or 12 VDC Int. Battery
- Operating Temperature: 50°F to 100°F (10° to 38°C)
- Height: 2 in. (5.08 cm) case
- Width: 9.5 in. (24.13 cm) case
- Depth: 6.25 in. (15.87 cm) case
- Weight: 2.5 lbs. (1.21 kg) case and hand unit

A 230 volt unit is available.
P/N HPT-200-230

Standard Adjustable Crimp Tool

UPPER RANGE CRIMP TOOL AF8 M22520/1-01

The DMC AF8, qualified to MIL-DTL-22520/1*, has virtually limitless application within the specified **wire range of 12 through 26 AWG**. Over a thousand turret heads are available to adapt the tool frame to your specific military or proprietary contact/wire combination. The 8 impression crimp, which is standard in the AF8, assures absolute maximum tensile strength with almost every closed barrel contact. Special indent configurations and gaging are available upon request.

For proper operation, the tool must be mated with one of the following optional accessories: a military standard or non-military turret head (TH-XXX Part No. Series), a military standard or non-military positioner (TP-XXX Part No. Series), or an adjustable head (Part No. UH2-5). This is done simply by orienting the head in the keyed position, and by tightening the hex socket screws provided as part of the head.

The precision ratchet controls cycling of the tool in both directions of handle movement. This assures the same accurate crimp every time. It's like having a quality control inspector at every work station.

Positive crimp depth is controlled by an 8 position selector knob conveniently located on the tool frame. The operator simply dials the desired step for the wire being used. This setting can be secured by use of a locking pin or safety wire.

The carefully engineered design achieves the absolute maximum mechanical advantage and the tool's light weight helps minimize operator fatigue.

A permanent dataplate is affixed to all turret heads and positioners. This plate lists specific contact part numbers, the corresponding position color code (for 3 position turret heads), and suggested selector depth settings for the wire size being used.

The adjustable head (P/N UH2-5) is ideally suited for lab work and prototype production applications. This head is attached in the same manner as explained above. The selected contact is inserted through the entry hole on the opposite side of the tool frame from the head. The height adjusting screw is then rotated until the contact is in the proper position for crimping. The screw can be secured with the locknut provided. Some testing will be necessary to determine the optimum selector setting for your contact/wire combination.

The AF8 is approximately 9 $\frac{3}{4}$ " x 2 $\frac{1}{2}$ " x 1 $\frac{1}{4}$ " and weighs 15 oz.

* Change to SAE AS22520 in process consult DMC for status.



Other than keeping the unit clean and properly stored when not in service, no operator maintenance is required. DMC offers complete factory service by knowledgeable technicians within a reasonable turnaround time. Complete instructions concerning the use, care and warranty are supplied with each tool. Additional copies are available on request.

Pneumatic versions of this tool are found on page 12.

The battery powered versions of this tool are found on page 10.



| MILITARY P/N | DMC P/N | DESCRIPTION | NSN |
|--------------|---------|-----------------------|------------------|
| M22520/1-01 | AF8 | TOOL FRAME | 5120-01-335-8571 |
| M22520/1-02 | TH1A | TURRET | 5120-01-335-8834 |
| M22520/1-03 | TH4 | TURRET | 5120-01-335-8835 |
| M22520/1-04 | TH163 | TURRET | 5120-01-335-8836 |
| M22520/1-05 | UH2-5 | ADJUSTABLE POSITIONER | 5120-01-335-8583 |
| M22520/1-06 | TP45 | POSITIONER | 5120-01-335-8584 |
| M22520/1-07 | TP85 | POSITIONER | 5120-01-335-8585 |
| M22520/1-08 | TH199S | TURRET | 5120-00-016-7654 |
| M22520/1-09 | TP360 | POSITIONER | 5120-01-335-8586 |
| M22520/1-10 | TP365 | POSITIONER | 5120-01-335-8587 |
| M22520/1-11 | TP465 | POSITIONER | 5120-01-335-8588 |
| M22520/1-12 | TH270 | TURRET | 5120-01-335-8838 |
| M22520/1-13 | TH285 | TURRET | 5120-01-036-9221 |
| M22520/1-14 | TH286 | TURRET | 5120-01-036-9222 |
| M22520/1-15 | TP485 | POSITIONER | 5120-01-335-8589 |
| M22520/1-16 | TP513 | POSITIONER | 5120-01-335-8590 |
| M22520/1-17 | TP651 | POSITIONER | 5120-01-335-8591 |
| M22520/3-1 | G125 | GAGE | 5220-01-016-6002 |
| | DMC1186 | M22520/1 Tool Kit | |

The DMC1186 tool kit contains the AF8 tool frame, tool gage, and all mil-spec positioners and turret heads. Also included in the DMC1186 are tool instruction sheets and a tool selection chart.

Periodic gaging is recommended to insure accurate calibration. This can be done easily by setting the tool selector knob to position #4, and checking indenter closure with the M22520/3-1 "GO/NO-GO" gage (DMC part no. G125).



INSERT CONTACT



INSERT PRE-STRIPPED WIRE



CLOSE / OPEN HANDLE



REMOVE TERMINATED WIRE ASSEMBLY

Miniature Adjustable Crimp Tools

LOWER RANGE CRIMP TOOL AFM8 M22520/2-01

Qualified to MIL-DTL-22520/2*, the DMC AFM8 is designed for most of the miniature and sub-miniature connector types that are so widely used in electronic systems. The AFM8 meets the need for a miniature tool accommodating **wire sizes 20 through 32 AWG**.

The AFM8 gives a Mil-Standard 8 impression crimp, which assures maximum tensile strength. The cycle controlled precision ratchet assures consistently accurate crimps every time. The tool frame has a built-in 8 step selector knob for ease in dialing the correct crimp depth setting for the wire being used.

Positioners adapt the tool frame to a particular application. The data plate on each positioner designates which contacts the positioner accommodates for its wire size and indicates selector position. The positioner is easily removed and changed.

Periodic gaging is recommended to insure accurate calibration. This is easily accomplished with the M22520/3-1 "GO/NO-GO" gage (DMC part no. G125) on SEL setting #8. The AFM8 is 6 3/4" in length and weighs approximately 10 oz.

Other than keeping the tool clean and properly stored when not in use, no operator maintenance is required. *Pneumatic versions of this tool are found on page 12.*



The DMC274 tool kit contains the AFM8 tool frame, tool gage, and all mil-spec positioners. Also included in the DMC274 are tool instruction sheets and a tool selection chart.

* Change to SAE AS22520 in process consult DMC for status.



| MILITARY P/N | DMC P/N | DESCRIPTION | NSN |
|--------------|---------|-----------------------|------------------|
| M22520/2-01 | AFM8 | TOOL FRAME | 5120-01-335-8572 |
| M22520/2-02 | K1S | POSITIONER | 5120-01-335-8592 |
| M22520/2-03 | K60S | POSITIONER | 5120-01-335-8593 |
| M22520/2-04 | K151 | POSITIONER | 5120-01-335-8594 |
| M22520/2-05 | K3 | POSITIONER | 5120-01-335-8595 |
| M22520/2-06 | K41 | POSITIONER | 5120-01-335-8624 |
| M22520/2-07 | K40 | POSITIONER | 5120-01-335-8625 |
| M22520/2-08 | K13-1 | POSITIONER | 5120-01-335-8626 |
| M22520/2-09 | K42 | POSITIONER | 5120-01-335-8627 |
| M22520/2-10 | K43 | POSITIONER | 5120-01-335-8628 |
| M22520/2-11 | K287 | POSITIONER | 5120-01-335-8629 |
| M22520/2-12 | K286 | POSITIONER | 5120-01-335-8630 |
| M22520/2-13 | K338 | POSITIONER | 5120-01-335-8631 |
| M22520/2-14 | K340 | POSITIONER | 5120-01-335-8632 |
| M22520/2-15 | K341 | POSITIONER | 5120-01-335-8633 |
| M22520/2-16 | K339 | POSITIONER | 5120-01-335-8634 |
| M22520/2-17 | K342 | POSITIONER | 5120-01-335-8635 |
| M22520/2-18 | K343 | POSITIONER | 5120-01-335-8636 |
| M22520/2-19 | K330-2 | POSITIONER | 5120-01-335-8637 |
| M22520/2-20 | K331-2 | POSITIONER | 5120-01-335-8638 |
| M22520/2-21 | K332-2 | POSITIONER | 5120-01-335-8609 |
| M22520/2-22 | K212 | POSITIONER | 5120-01-335-8610 |
| M22520/2-23 | K267-1 | POSITIONER | 5120-01-335-8611 |
| M22520/2-24 | K75S-1 | POSITIONER | 5120-01-335-8612 |
| M22520/2-25 | K261-1 | POSITIONER | 5120-01-335-8613 |
| M22520/2-26 | K262-1 | POSITIONER | 5120-01-335-8614 |
| M22520/2-27 | K269-1 | POSITIONER | 5120-01-335-8615 |
| M22520/2-28 | K373-1 | POSITIONER | 5120-01-335-8616 |
| M22520/2-29 | K372-1 | POSITIONER | 5120-01-335-8617 |
| M22520/2-30 | K404 | POSITIONER | 5120-01-335-8618 |
| M22520/2-31 | K406 | POSITIONER | 5120-01-335-8619 |
| M22520/2-32 | K496 | POSITIONER | 5120-01-335-8620 |
| M22520/2-33 | K74S | POSITIONER | 5120-01-335-8621 |
| M22520/2-34 | K323 | POSITIONER | 5120-01-335-8622 |
| M22520/2-35 | K532-1 | POSITIONER | 5120-01-335-8623 |
| M22520/2-36 | K473 | POSITIONER | 5120-01-335-8596 |
| M22520/2-37 | K709 | POSITIONER | 5120-01-361-9666 |
| M22520/3-1 | G125 | GAGE | 5220-01-016-6002 |
| | SK2/2 | ADJUSTABLE POSITIONER | 5120-01-171-1569 |
| | DMC274 | M22520/2 TOOL KIT | 5180-01-259-0512 |



**MIDDLE RANGE
INDENT CRIMP TOOL
MH860 M22520/7-01**

Qualified to MIL-DTL-22520/7*, the DMC MH860 is a recent addition to the military specification. It was developed to meet the demonstrated need for supporting the majority of electrical systems with one versatile crimp tool frame.

The MH860 accepts the entire middle wire range of 16 through 28 AWG, with positioners which adapt it to virtually all applications consistent with others in the MIL-DTL-22520 family.

Pneumatic versions of this tool are found on page 12.



The DMC123 tool kit contains the MH860 tool frame, tool gage, and all mil-spec positioners. Also included in the DMC123 are tool instruction sheets and a tool selection chart.

* Change to SAE AS22520 in process consult DMC for status.

| MIL 860 PART NUMBERS | | | |
|----------------------|---------|-----------------------|------------------|
| MILITARY P/N | DMC P/N | DESCRIPTION | NSN |
| M22520/7-01 | MH860 | TOOL FRAME | 5120-01-335-8573 |
| M22520/7-02 | 86-1S | POSITIONER | 5120-01-335-8597 |
| M22520/7-03 | 86-2 | POSITIONER | 5120-01-335-8598 |
| M22520/7-04 | 86-3 | POSITIONER | 5120-01-335-8599 |
| M22520/7-05 | 86-4 | POSITIONER | 5120-01-335-8600 |
| M22520/7-06 | 86-5 | POSITIONER | 5120-01-335-8601 |
| M22520/7-07 | 86-6 | POSITIONER | 5120-01-335-8602 |
| M22520/7-08 | 86-7 | POSITIONER | 5120-01-335-8603 |
| M22520/7-09 | 86-11S | POSITIONER | 5120-01-335-8604 |
| M22520/7-10 | 86-12S | POSITIONER | 5120-01-335-8605 |
| M22520/7-11 | 86-19 | POSITIONER | 5120-01-335-8606 |
| M22520/7-12 | 86-20 | POSITIONER | 5120-01-335-8607 |
| M22520/7-13 | 86-21 | POSITIONER | 5120-01-335-8608 |
| M22520/3-3 | G145 | GAGE | 5120-00-338-0378 |
| | 86-37 | ADJUSTABLE POSITIONER | |
| | DMC123 | M22520/7 TOOL KIT | 5180-01-355-5616 |



| MIL-DTL-28840 TOOLING PART NUMBERS | | | |
|------------------------------------|------------|-----------------------|------------------|
| MILITARY P/N | DMC P/N | DESCRIPTION | NSN |
| M22520/34-01 | 39-000 | BASIC CRIMP TOOL | 5120-01-242-3516 |
| M22520/34-02 | 39-102 | POSITIONER | 5120-01-242-1041 |
| M22520/35 | G345 | GAGE | 5220-01-392-1065 |
| M81969/33-01 | DAK55-22SA | INST. TOOL (STRAIGHT) | 5120-01-230-1506 |
| M81969/33-02 | DAK55-22JA | INST. TOOL (OFFSET) | 5120-01-335-8666 |
| M81969/34-01 | DRK56-22A | REMOVAL TOOL | 5120-01-230-1507 |
| | DMC782 | MIL-C-28840 TOOL KIT | 5180-01-363-1391 |

**THE MIL-DTL-28840
TOOLING**

MIL-DTL-28840 connectors were developed for the Navy, for use with jacketed cable for shipboard applications. They are a high density circular connector series utilizing a high shock threaded coupling system with front release crimped contacts.

For these connectors DMC has added a new crimping tool to its range, the M22520/34-01.

Battery Powered Hydraulic Indent Crimp Tools

GET THE PORTABILITY OF A HAND TOOL WITH THE STAMINA OF A POWER TOOL!

DMC is pleased to present our battery powered hydraulic tools to crimp MIL-C-39029, MIL-C-39012, and a full range of proprietary contacts onto copper and aluminum cable **12 through 26 AWG**. These tools are comparable to DMC's AF8 (M22520/1-01) hand tool and use the same turret heads, positioners, and other accessories.

AFE8B

The AFE8B Battery Powered Hydraulic Indent Crimp Tool is a hand held, self-contained indent crimp tool. The crimp head, battery, and pump unit are contained in one ergonomic tool body and weighs about 4 pounds. It is comparable to DMC's AF8 hand tool and uses the same turret heads, positioners, and other accessories.

TOOL INCLUDES: Carrying Case, Two 18v Batteries (p/n HDE-LI-B), One Battery Charger (p/n HDE-LI-120C).



AFE8B

FEATURES

- Ergonomic design allows one-handed operation
- Indenters automatically open when crimp is complete
- Head rotates 350 degrees
- Red LED to display unit's current status

CRIMP CAPACITIES

- Max. Crimp Force: 1.5 Tons (13.3 kN)
- Avg. Crimp Time: 2 seconds
- Avg. Crimps per Charge: Approx. 150 (depending on size and type of contact wire)

AFE8B SPECIFICATIONS

- Length: 14.75" (375 mm)
- Width: 2.87" (72.9 mm)
- Depth: 4.5" (114.3 mm)
- Mass/Weight (w/ battery): 3.92lb (1.78kg)
- Sound Level: 75db (A) at 1 meter
- Vibration: <2.5m/s²
- Hydraulic Oil: Shell Tellus® T-15

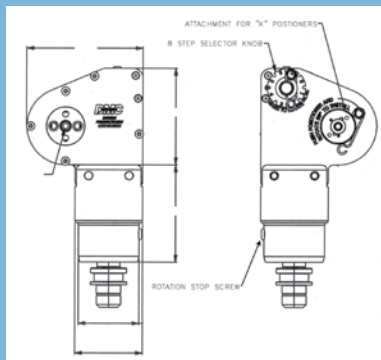
AFE8B BATTERY (P/N: HDE-LI-B)

- Charging Voltage: 18 VDC
- Charging Time: 15 minutes
- 2 batteries included with each new tool
- Protective case included with each tool



AFM8, M3XX & MHXX BATTERY POWERED TOOLS

At the time this catalog was printed, DMC's Engineers were developing battery powered versions of our AFM8 (M22520/2-01), M-Series and MH-Series hand tool frames. Contact DMC, or check our Web site for the status of these tools.



AFE8-R REMOTE HEAD BATTERY POWERED HYDRAULIC CRIMP TOOL

The AFE8-R Remote Head Battery Powered Hydraulic Indent Crimp Tool is a hand held, self-contained indent crimp tool. The crimp head is separate from the battery and pump unit by a hydraulic umbilical cable. This reduces the held weight to 2 pounds, about the same as the hand tool. The battery and pump unit can be worn on a tool belt, stored in a carrying case, or mounted to a bench

top. It is comparable to DMC's AF8 hand tool and uses the same turret heads, positioners, and other accessories.

TOOL INCLUDES: Two Batteries (p/n HD-BATTERY-R), One Battery Charger (p/n HD-110CHARGER-R). Tool Belt, AC Adapter, and Bench Mount sold separately.

FEATURES

- Ergonomic design allows one-handed operation
- Indenters automatically open when crimp is complete
- Connection point for tool balancing systems

AFE8-R CRIMP CAPACITIES

- Max. Crimp Force: .75 Tons/1500lb/6.67kN
- Avg. Crimp Time: 2 seconds
- Avg. Crimps per Charge: Approx. 250

AFE8-R BATTERY (Lithium Ion)

- Charging Voltage: 10.8 VDC Lithium Ion
- Charging Time: 40 minutes



AFE8-R



The battery and pump unit can be worn on a tool belt (p/n 2063863-1) ...



used with an AC Adapter (p/n HD-110AC)...



or mounted to a bench top (p/n BM-7).

TOOL SPECIFICATIONS

CRIMP TOOL

- Length: 11"/279mm
- Width: 2-1/2"/63.5mm
- Depth: 2-1/2"/63.5mm
- Mass/Weight: 1.82lb/.83kg
- Sound Level: 72db
- Hose Length: 4.5ft

POWER UNIT (With Battery Installed)

- Length: 9.8"/248mm
- Width: 3.1"/80mm
- Depth: 5.6"/142mm
- Weight: 4.3 lb/2.0 kg
- Sound Level: 72 dBA
- Hydraulic Oil: 1.7 oz./ 48g Shell Tellus* T15

Pneumatic Indent Crimp Tools

The DMC Power Crimp tools WA27F, WA22P and WA22 are pneumatic versions of DMC indent hand tools. They use the same turret heads or positioners, gages and other accessories. As production needs grow, all that needs to be added is the tool frame itself. The resulting power capability can in many instances compare with an automated system costing thousands of dollars more.

These pneumatic tools are widely used in both military and proprietary programs. Their popularity has come about in part because of their unequaled reputation for trouble-free, dependable service and their cost saving and adaptability.

Whether upper, middle, lower, or mid-current range, the power tools fulfill the same precise crimp requirements as

the hand models. They use the same indenter configuration, the same gaging dimensions and selector settings. No additional operator training is necessary. Accurate calibration is maintained by a unique 8 step machined steel block that holds gaging tolerances far longer than the usual adjustment screw method. This solid gaging means high output with less downtime.

The compact size and light weight of these tools allows them to be used easily as hand tools, as well as high production bench tools. The hand trigger is designed for equal ease of use by right or left handed operators. Bench mounted, the optional foot valve allows hands-free operation. The bench mount will allow the tool to be secured at virtually any angle for individual comfort, thereby minimizing operator fatigue.

UPPER RANGE WA27F (COMPARABLE TO AF8)

accommodates TH-xxx MIL-standard and commercial series turret heads or TP-xxx MIL-standard and commercial series positioners, length 10", diameter 2 3/4", weight 50 oz.

MIDDLE RANGE WA22P (COMPARABLE TO MH860)

accommodates MIL-standard and commercial 86-xxx series positioners, length 8", diameter 2 1/4", weight 32 oz.

LOWER RANGE WA22 (COMPARABLE TO AFM8)

accommodates MIL-standard and commercial Kxxx series positioners, length 8", diameter 2 1/4", weight 32 oz.



WA27-309-2C



WA27-300BT-EP



**MID-CURRENT RANGE
PNEUMATIC TOOLS**

WA27-300BT-EP is the pneumatic version of the M300BT, length 15", diameter 2 3/4", weight 119 oz.

WA27-309-2C is the pneumatic version of the M309, covering all 8 selector settings, length 12", diameter 2 3/4", weight 80 oz..

WA27-309 is the pneumatic version of the M309, covering the lower 4 selector

settings for AWG sizes 12-18, length 10", diameter 2 3/4", weight 50 oz.

WA27-309-EP is the pneumatic version of the M309, with an extra pneumatic cylinder which provides more power for crimping the upper 4 selector settings for AWG sizes 8-14, length 15", diameter 2 3/4", weight 119 oz.

Mid-Current Range Tools are featured on pages 92 to 95.



FOOT VALVE - WA10A

The foot valve, when installed in-line with an air supply, makes a portable system which is adaptable to any work bench. Air supply requirements are 80-120 PSI (5.5 to 8.0 atmospheres) clean dry air. The system uses standard air fittings readily available in most shops.



**WA22LC-X1 HAND-HELD
PNEUMATIC CRIMP TOOL**

The same basic WA22 tool that is commonly bench mounted for first end terminations is now available in a lighter, more ergonomic version for hand-held operation.



The WA22LC-X1 tool features a smaller profile and lighter weight which makes it especially useful for second end terminations on vertical and horizontal wiring form boards. Most size 20 and smaller contacts can be terminated with this tool.



BENCH MOUNT - BM-2A

The fully adjustable bench mount is compatible with most DMC power tools. The base measures 4" x 8" and can be used attached or unattached to the work surface.

Pneumatic Auto-Lift Indent Crimp Termination System



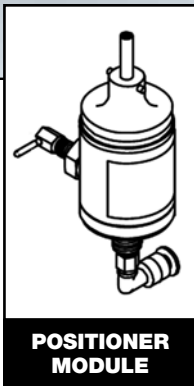
SAVE TIME AND AVOID ERRORS

DMC's standard WA-series pneumatic crimp tools are now available with an automatic actuator that eliminates the step of pressing a trigger or stepping on a foot pedal to actuate the tool.

Additionally, when the contact is loaded into the tool, the wire barrel remains in clear view. This allows the operator to see that the wire is inserted into the contact (wire barrel) correctly, with all strands inside the contact.

Once the wire is properly inserted into the contact, a little additional pressure on the wire pushes the contact into the automatic positioner. When the contact reaches the correct crimp position, the tool automatically crimps the contact on to the wire.

This line of tools available for the semi-automatic crimping of contact/wire assemblies for wire sizes 12 -32 AWG. However, Smaller wire sizes (24-32) are not very rigid and some difficulty may be experienced when pushing down on the contact/wire assembly. AP systems are not recommended for wire sizes smaller than 26 AWG.



POSITIONER MODULE



STEP 1

Place an uncrimped contact with wire into the positioner insert.

When the contact is loaded into the tool, the wire barrel remains above the tool in clear view.



STEP 2

The operator can then insert the wire into the contact (wire barrel) and see that the wire is inserted correctly, with all strands inside the contact.



STEP 3

Push down lightly with the wire in one continuous motion. When the contact reaches the correct crimp position, the automatic positioner will crimp the contact to the wire.

NO foot pedal or manual activation required!



COMPLETE

Remove the finished assembly and insert the next contact to be crimped.



RETRO-FIT EXISTING TOOLS

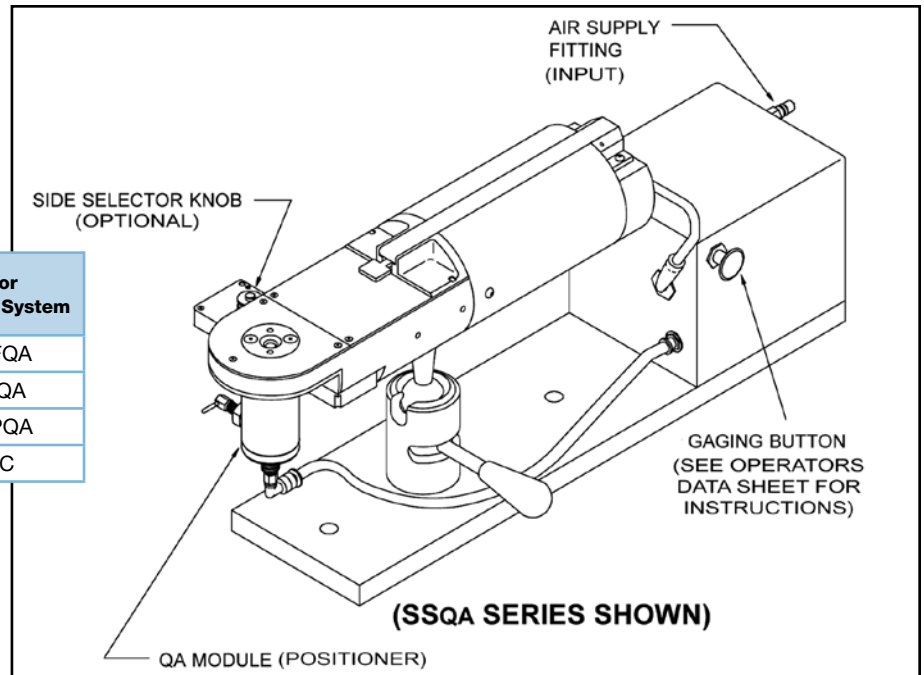
If you already have one or more DMC indent crimp pneumatic tools in your shop, DMC offers a retro-fit kit (P/N - APMOD) to upgrade the standard pneumatic tools to an Auto-Lift pneumatic tool. Conversion also requires the appropriate QA series positioner modules.

MODULE SYSTEM

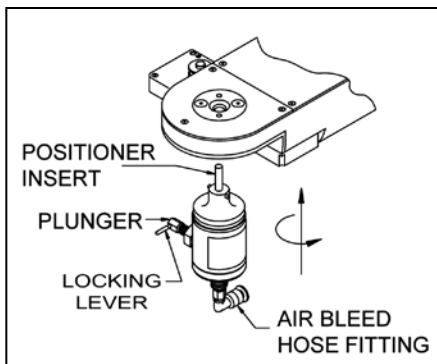
A special module is mounted to an extended bench mount and either a WA22, WA22P, WA27F or SS version pneumatic crimp tool. Separate positioner modules are attached or removed without use of tools.

| Reference Military Part Number | Standard Pneumatic Tool | Tool for AP Module System |
|--|-------------------------|---------------------------|
| M22520/1-01 | WA27F | WA27FQA |
| M22520/2-01 | WA22 | WA22QA |
| M22520/7-01 | WA22P | WA22PQA |
| Other models are available - Contact DMC | | |

Tools ordered with a positioner module will come fully assembled and ready for your crimping need. Just plug your shop air supply into the fitting provided on the base plate module. Adjust the selector knob as specified on the dataplate of the QA module for the size wire you are crimping.



The system operates from standard shop air 80-120 psi (5.5-8.27 BAR).



QUICK ASSEMBLY (QA) POSITIONER MODULES

These modules are constructed with bayonet type mounting protrusions enabling a quick, tool-free interchange of positioner modules for different crimping requirements. All modules are clearly marked for contact type and wire size selector setting.

Modules are available for most contacts for existing "K" and "86" Positioners and "TH" and "TP" series heads sizes 12 thru 26. These modules may be ordered separately. Modules are not available for the "Straightener" positioner series.

QA Series Positioner Module Part Number Guide

K## = KQA##

So the Quick Assembly Positioner Module version of positioner K42 is KQA42.

TH## = THQAP##-#

(The "-#" identifies the position color code with "-2" for Blue, "-4" for Red, "-5" for Yellow, and "-6" for Green.)

So the Quick Assembly Positioner Module version of turret head TH163 in the Blue position is THQAP163-2.

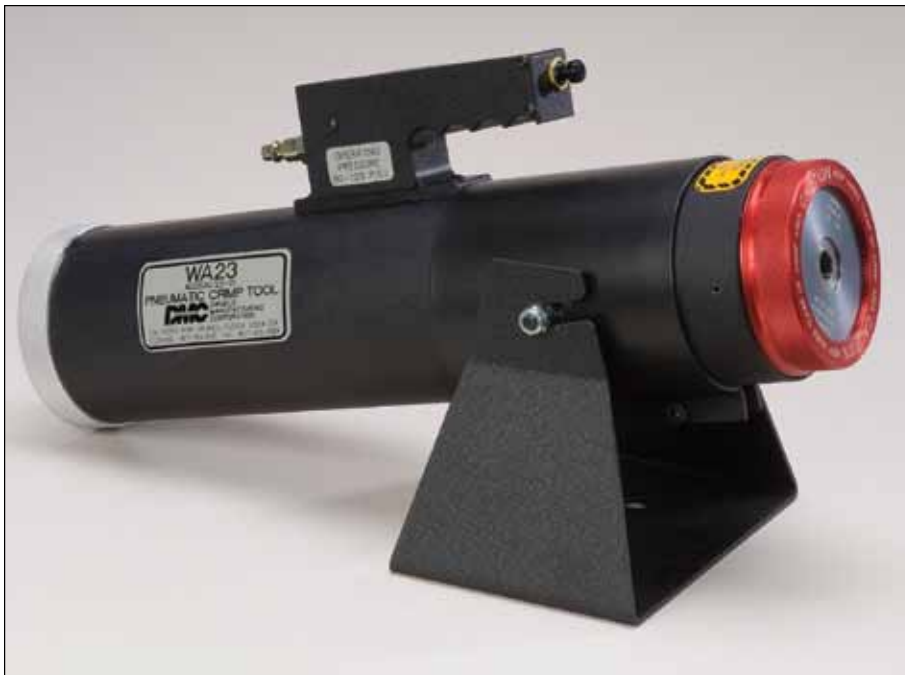
TP## = TPQA##

So the Quick Assembly Positioner Module version of single position head TP1032 is TPQA1032.

86-## = 86QA-##

So the Quick Assembly Positioner Module version of positioner 86-287 is 86QA-287.

Large Gage Pneumatic Indent Crimp Tools

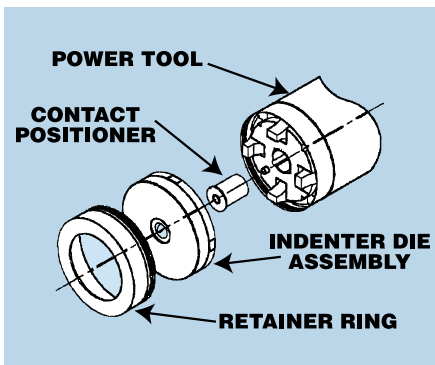


WA23 M22520/23 PNEUMATIC INDENT CRIMP TOOL

DMC's heavy pneumatic indent crimp tool functions with the push of a button for operator ease. This heavy duty crimp tool accommodates large size contacts 8 through 0000 (AWG) and operates on standard 90–125 psi (5.4–8.16 BAR) shop air sources.

It is engineered with the operator's safety in mind and features a full cycle control system. This tool is portable and needs no extra booster for large size contacts.

The standard die assembly and positioner are easily interchangeable with no special tool required. Custom dies and positioners may be designed to specific requirements. An optional foot valve is available upon request.



WA23FP FOOT PEDAL

The WA23FP foot pedal automates the operation of the WA23 Pneumatic Crimp Tool, and allows for hands free operation. Air supply requirements are 90-120 PSI clean, dry air.

M22520/23 TOOL, DIE AND LOCATOR LIST

| MIL # | DESCRIPTION | DMC # |
|--------------|----------------------|---------|
| M22520/23-01 | Crimp Tool | WA23 |
| M22520/23-02 | Die Assy. 8 | WA23-2 |
| M22520/23-03 | Die Assy. 6 | WA23-3 |
| M22520/23-04 | Die Assy. 4 | WA23-4 |
| M22520/23-05 | Die Assy. 1/0 | WA23-5 |
| M22520/23-06 | Die Assy. 2/0 | WA23-6 |
| M22520/23-07 | Die Assy. 4/0 | WA23-7 |
| M22520/23-09 | Positioner 8 | WA23-9 |
| M22520/23-10 | Positioner 6 | WA23-10 |
| M22520/23-11 | Positioner 4 | WA23-11 |
| M22520/23-12 | Positioner 4, 4N, 4G | WA23-12 |
| M22520/23-13 | Positioner 1/0 | WA23-13 |
| M22520/23-14 | Positioner 1/0, 1/0N | WA23-14 |
| M22520/23-15 | Positioner 2/0, 2/0N | WA23-15 |
| M22520/23-16 | Positioner 4/0, 4/0N | WA23-16 |

| P/N | CONTACT SIZE | "GO" | "NO-GO" | GAGE P/N |
|--------------|--------------|------|---------|----------|
| M22520/23-02 | 8 | .130 | .136 | G693 |
| M22520/23-03 | 6 | .171 | .178 | G694 |
| M22520/23-04 | 4 | .195 | .202 | G695 |
| M22520/23-05 | 0 | .325 | .332 | G696 |
| M22520/23-06 | 00 | .351 | .358 | G697 |
| M22520/23-07 | 0000 | .425 | .432 | G698 |

Non-MIL Dies and Positioners Are Also Available

Large Gage Contact Application Guide

CONTACT APPLICATION CROSS REFERENCE

| CONTACT PART # | BIN CODE | TYPE P/S | SIZE | DIE ASSEMBLY | LOCATOR |
|---|----------|----------|------|--------------|---------|
| MIL-C-5015 Front Release (3400 Series) | | | | | |
| M39029/44 | 291 | P | 8 | WA23-2 | WA23-9 |
| M39029/45 | 298 | S | 8 | WA23-2 | WA23-9 |
| M39029/44 | 292 | P | 4 | WA23-4 | WA23-11 |
| M39029/45 | 299 | S | 4 | WA23-4 | WA23-11 |
| M39029/44 | 293 | P | 0 | WA23-5 | WA23-13 |
| M39029/45 | 300 | S | 0 | WA23-5 | WA23-13 |
| MIL-C-5015 Rear Release (3450 Series) | | | | | |
| M39029/29 | 214 | P | 8 | WA23-2 | WA23-9 |
| M39029/30 | 220 | S | 8 | WA23-2 | WA23-9 |
| M39029/29 | 215 | P | 4 | WA23-4 | WA23-11 |
| M39029/30 | 221 | S | 4 | WA23-4 | WA23-11 |
| M39029/29 | 216 | P | 0 | WA23-5 | WA23-13 |
| M39029/30 | 222 | S | 0 | WA23-5 | WA23-13 |
| MIL-C-22992 Class L Heavy Duty Cylindrical Connector | | | | | |
| M39029/48 | 317 | P | 6 | WA23-3 | WA23-10 |
| M39029/48 | 318 | P | 6N | WA23-3 | WA23-10 |
| M39029/48 | 319 | P | 6G | WA23-3 | WA23-10 |
| M39029/49 | 329 | S | 6 | WA23-3 | WA23-10 |
| M39029/49 | 330 | S | 6G | WA23-3 | WA23-10 |
| M39029/48 | 320 | P | 4 | WA23-4 | WA23-12 |
| M39029/48 | 321 | P | 4N | WA23-4 | WA23-12 |
| M39029/48 | 322 | P | 4G | WA23-4 | WA23-12 |
| M39029/49 | 331 | S | 4 | WA23-4 | WA23-12 |
| M39029/49 | 332 | S | 4G | WA23-4 | WA23-12 |
| M39029/48 | 323 | P | 1/0 | WA23-5 | WA23-14 |
| M39029/48 | 324 | P | 1/0N | WA23-5 | WA23-14 |
| M39029/49 | 333 | S | 1/0 | WA23-5 | WA23-14 |
| M39029/48 | 325 | P | 2/0 | WA23-6 | WA23-15 |
| M39029/48 | 326 | P | 2/0N | WA23-6 | WA23-15 |
| M39029/49 | 334 | S | 2/0 | WA23-6 | WA23-15 |
| M39029/48 | 327 | P | 4/0 | WA23-7 | WA23-16 |
| M39029/48 | 328 | P | 4/0N | WA23-7 | WA23-16 |
| M39029/49 | 335 | S | 4/0 | WA23-7 | WA23-16 |
| J-Tech | | | | | |
| 541-220-0808 | 214 | P | 8 | WA23-2 | WA23-9 |
| 541-220-0404 | 215 | P | 4 | WA23-4 | WA23-11 |
| 542-220-0808 | 220 | S | 8 | WA23-2 | WA23-9 |
| 542-220-0404 | 221 | S | 4 | WA23-4 | WA23-11 |
| Amphenol/Bendix | | | | | |
| 10-497100-6 | 317 | P | 6 | WA23-3 | WA23-10 |
| 10-497102-6 | 318 | P | 6N | WA23-3 | WA23-10 |
| 10-497222-6 | 319 | P | 6 | WA23-3 | WA23-10 |
| 10-497100-4 | 320 | P | 4 | WA23-4 | WA23-12 |
| 10-497102-4 | 321 | P | 4N | WA23-4 | WA23-12 |
| 10-497222-4 | 322 | P | 4G | WA23-4 | WA23-12 |
| 10-497100-3 | 323 | P | 1/0 | WA23-5 | WA23-14 |
| 10-497102-3 | 324 | P | 1/0N | WA23-5 | WA23-14 |
| 10-497100-43 | 327 | P | 4/0 | WA23-7 | WA23-16 |
| 10-497102-43 | 328 | P | 4/0N | WA23-7 | WA23-16 |
| 10-497101-6 | 329 | S | 6 | WA23-3 | WA23-10 |
| 10-497223-6 | 330 | S | 6G | WA23-3 | WA23-10 |
| 10-497101-4 | 331 | S | 4 | WA23-4 | WA23-12 |
| 10-497223-4 | 332 | S | 4G | WA23-4 | WA23-12 |
| 10-497101-3 | 333 | S | 1/0 | WA23-5 | WA23-14 |

| CONTACT PART # | BIN CODE | TYPE P/S | SIZE | DIE ASSEMBLY | LOCATOR |
|---------------------------------|------------|----------|----------|---------------|---------------|
| Burndy Corporation (FCI) | | | | | |
| 10-497101-43 | 335 | S | 4/0 | WA23-7 | WA23-16 |
| B559-01-3 | 318 | P | 6N | WA23-3 | WA23-10 |
| B559-01-6 | 319 | P | 6 | WA23-3 | WA23-10 |
| B559-01-1 | 320 | P | 4 | WA23-4 | WA23-12 |
| B559-01-2 | 321 | P | 4N | WA23-4 | WA23-12 |
| B559-01-10 | 322 | P | 4G | WA23-4 | WA23-12 |
| B559-01-4 | 323 | P | 1/0 | WA23-5 | WA23-14 |
| B559-01-5 | 324 | P | 1/0N | WA23-5 | WA23-14 |
| B559-01-8 | 327 | P | 4/0 | WA23-7 | WA23-16 |
| B559-01-9 | 328 | P | 4/0N | WA23-7 | WA23-16 |
| B560-01-2 | 329 | S | 6 | WA23-3 | WA23-10 |
| B560-01-4 | 330 | S | 6G | WA23-3 | WA23-10 |
| B560-01-1 | 331 | S | 4 | WA23-4 | WA23-12 |
| B560-01-6 | 322 | S | 4G | WA23-4 | WA23-12 |
| B560-01-3 | 333 | S | 1/0 | WA23-5 | WA23-14 |
| B560-01-5 | 335 | S | 4/0 | WA23-7 | WA23-16 |
| ITT Cannon | | | | | |
| 030-3198-003 | 214 | P | 8 | WA23-2 | WA23-9 |
| 030-3199-004 | 215 | P | 4 | WA23-4 | WA23-11 |
| 030-3200-003 | 216 | P | 0 | WA23-5 | WA23-13 |
| 031-3116-003 | 220 | S | 8 | WA23-2 | WA23-9 |
| 031-3117-003 | 221 | S | 4 | WA23-4 | WA23-11 |
| 031-3118-003 | 222 | S | 0 | WA23-5 | WA23-13 |
| Matrix Science/Amphenol | | | | | |
| 5000-029-0008 | 214 | P | 8 | WA23-2 | WA23-9 |
| 5000-029-0004 | 215 | P | 4 | WA23-4 | WA23-11 |
| 5000-029-0000 | 216 | P | 0 | WA23-5 | WA23-13 |
| 5100-033-0008 | 220 | S | 8 | WA23-2 | WA23-9 |
| 5100-033-0004 | 221 | S | 4 | WA23-4 | WA23-11 |
| 5100-033-0000 | 222 | S | 0 | WA23-5 | WA23-13 |
| Tri-Star | | | | | |
| 916-0808-093 | 214 | P | 8 | WA23-2 | WA23-9 |
| 916-0404-094 | 215 | P | 4 | WA23-4 | WA23-11 |
| 916-0000-095 | 216 | P | 0 | WA23-5 | WA23-13 |
| 915-0808-093 | 220 | S | 8 | WA23-2 | WA23-9 |
| 915-0404-094 | 221 | S | 4 | WA23-4 | WA23-11 |
| 915-0000-095 | 222 | S | 0 | WA23-5 | WA23-13 |
| 915-0606-595 | 317 | P | 6 | WA23-3 | WA23-10 |
| 915-0606-596 | 318 | P | 6N | WA23-3 | WA23-10 |
| 915-0606-597 | 319 | P | 6G | WA23-3 | WA23-10 |
| 915-0404-576 | 320 | P | 4 | WA23-4 | WA23-12 |
| 915-0404-577 | 321 | P | 4N | WA23-4 | WA23-12 |
| 915-0404-578 | 322 | P | 4G | WA23-4 | WA23-12 |
| 915-1001-498 | 323 | P | 1/0 | WA23-5 | WA23-14 |
| 915-1001-499 | 324 | P | 1/0N | WA23-5 | WA23-14 |
| 915-2020-579 | 325 | P | 2/0 | WA23-6 | WA23-15 |
| 915-2020-580 | 326 | P | 2/0N | WA23-6 | WA23-15 |
| 915-4040-598 | 327 | P | 4/0 | WA23-7 | WA23-16 |
| 915-4040-599 | 328 | P | 4/0N | WA23-7 | WA23-16 |
| 916-0606-595 | 329 | S | 6 | WA23-3 | WA23-10 |
| 916-0606-597 | 330 | S | 6G | WA23-3 | WA23-10 |
| 916-0404-576 | 331 | S | 4 | WA23-4 | WA23-12 |
| 916-0404-578 | 332 | S | 4G | WA23-4 | WA23-12 |
| 916-1001-498 | 333 | S | 1/0 | WA23-5 | WA23-14 |
| 916-2020-579 | 334 | S | 2/0 | WA23-6 | WA23-15 |
| 916-4040-598 | 335 | S | 4/0 | WA23-7 | WA23-16 |

Pico* to DMC Part Number Guide

| PICO* LOCATOR | PICO DIE ASSEMBLY | DMC LOCATOR | DMC DIE ASSEMBLY | CONTACTS | AWG |
|---------------------------|-------------------------------|----------------------|--|---|----------------|
| 4046A | 414DA-8N | WA23-9 M22520/23-09 | WA23-2 M22520/23-02 | M39029/29-214 M39029/30-220 M39029/44-291 M39029/45-298 | 8 |
| 4297-6 | 414DA-6N | WA23-10 M22520/23-10 | WA23-3 M22520/23-03 | M39029/48-317 M39029/48-318 M39029/48-319 M39029/49-329 M39029/49-330 | 6 |
| 4112 | 414DA-4N | WA23-11 M22520/23-11 | WA23-4 M22520/23-04 | M39029/29-215 M39029/30-221 M39029/44-292 M39029/45-299 | 4 |
| 4297-5 | 414DA-4N | WA23-12 M22520/23-12 | WA23-4 M22520/23-04 | M39029/48-320 M39029/48-321 M39029/48-322 M39029/49-331 M39029/49-332 | 4 |
| 4066 | 414DA-1/0N 414DA-0N | WA23-13 M22520/23-13 | WA23-5 M22520/23-05 | M39029/29-216 M39029/30-222 M39029/44-293 M39029/45-300 | 1/0 |
| 4297-3 | 414DA-1/0N 414DA-0N | WA23-14 M22520/23-14 | WA23-5 M22520/23-05 | M39029/48-323 M39029/48-324 M39029/49-333 | 1/0 |
| 4297-2 | 414DA-2/0N | WA23-15 M22520/23-15 | WA23-6 M22520/23-06 | M39029/48-325 M39029/48-326 M39029/49-334 | 2/0 |
| 4297-1 | 414DA-4/0N-7 | WA23-16 M22520/23-16 | WA23-7 M22520/23-07 | M39029/48-327 M39029/48-328 M39029/49-335 | 4/0 |
| 4536 | 414DA-10N | WA23-102L | WA23-101DA | EUROPEAN NORM # EN3155003 F 1010 EN3155008 F 1010 | 10 |
| N/A | 414DA-4N | WA23-111L | WA23-4 M22520/23-04 | BENDIX - AMPHENOL # 10-113474-4P 10-113474-4S 10-229193-4S 10-229192-4P | 4 |
| N/A | 414DA-1/0N 414DA-0N | WA23-113L | WA23-5 M22520/23-05 | BENDIX - AMPHENOL # 10-113474-1P 10-113474-1S | 1/0 |
| N/A | 414DA-12N | WA23-114L | WA23-168DA | M39029/56-353 M39029/58-365 | 12 |
| N/A | 414DA-12N N/A | WA23-115L | WA23-168DA WA23-169DA | M39029/11-147 M39029/12-151 | 12 14 |
| 4117 | 414DA-12N N/A 414DA-16N | WA23-116L | WA23-168DA WA23-169DA WA23-170DA | M39029/4-113 M39029/5-118 M39029/29-213 M39029/30-219 M39029/44-289 M39029/44-290 M39029/45-297 | 12 14 16 |
| 4001 | 414DA-8N | WA23-117L | WA23-2 M22520/23-02 | CANNON # 031-0560-081 330-0351-008 | 8 |
| 4060 Cannon CCHP8-7 | 414DA-8N | WA23-119L | WA23-2 M22520/23-02 | CANNON # 031-0733-000 | 8 |
| N/A | 414DA-8N | WA23-121L | WA23-2 M22520/23-02 | FRANKLIN ELECTRIC # 151378-101 151378-102 151378-103 | 8 |
| 4234 | 414DA-4N | WA23-122L | WA23-4 M22520/23-04 | CANNON # 030-8613-000 031-8520-000 330-0351-004 330-0351-041 (METRIC) 031-8591-000 031-8560-000 | 4 |
| 4233 | 414DA-1/0N 414DA-0N | WA23-123L | WA23-5 M22520/23-05 | CANNON # 030-8614-000 031-8521-000 330-0351-000 330-0351-001 (METRIC) 031-8561-000 030-8592-000 | 1/0 |

* Pico is registered tradename for the The Pico Corporation.

| PICO* LOCATOR | PICO DIE ASSEMBLY | DMC LOCATOR | DMC DIE ASSEMBLY | CONTACTS | AWG |
|---------------|------------------------------------|-------------|---|--|---------------|
| N/A | 414DA-8N | WA23-145L | WA23-2 M22520/23-02 | CANNON # 030-8590-000 030-8612-000 031-8519-000 031-8559-000 | 8 |
| N/A | 414DA-1/0N 414DA-0N | WA23-146L | WA23-5 M22520/23 -05 | HAKO MINUTEMAN # 4 LUGS | 4 |
| 4329 | 414DA-8N | WA23-147L | WA23-2 M22520/23-02 | LITTON-VEAM # 27935-T9 27915-T9 | 8 |
| 4042 | 414DA-1/0N 414DA-0N | WA23-148L | WA23-5 M22520/23-05 | LITTON-VEAM # 27937-VT9 27917-VT9 | 1/0 |
| N/A | 414DA-8N 414DA-6N 414DA-4N | WA23-149L | WA23-2 M22520/23-02 WA23-3 M22520/23-03 WA23-4 M22520/23-04 | AMP-TYCO # 213179-1 (8Ga.) 213178-1 (6Ga.) 213177-1 (4Ga.) | 8 6 4 |
| N/A | 414DA-8N 414DA-6N 414DA-4N | WA23-150L | WA23-2 M22520/23-02 WA23-3 M22520/23-03 WA23-4 M22520/23-04 | AMP-TYCO # 213183-1 (8Ga.) 213182-1 (6Ga.) 213181-1 (4Ga.) | 8 6 4 |
| 4025 4026 | 414DA-8N | WA23-161L | WA23-2 M22520/23-02 | BENDIX - AMPHENOL # 10-40792 P 10-40793 S 10-113239-8S 10-113239-8P 10-113474-8P 10-113474-8S | 8 |
| 4231 | N/A | WA23-162L | WA23-112DA | BENDIX - AMPHENOL # 10-40561 | 12 |
| 4043 | 414DA-4N | WA23-163L | WA23-4 M22520/23-04 | BENDIX - AMPHENOL # 10-40564 10-40565 | 4 |
| N/A | 414DA-6N 414DA-4N | WA23-164L | WA23-3 M22520/23-03 WA23-4 M22520/23-04 | AMP-TYCO # 92-0940-11-3 (4 Ga.) 92-0940-11-6 (6 Ga.) | 6 4 |
| N/A | 414DA-6N 414DA-4N | WA13-166L | WA23-3 M22520/23-03 WA23-4 M22520/23-04 | AMP-TYCO # 92-0940-9-2 (4 Ga.) 92-0940-9-9 (6 Ga.) | 6 4 |
| 4116 | 414DA-16N | WA23-171L | WA23-170DA | M39029/4-111 M39029/5-116 M39029/29-212 M39029/30-218 M39029/44-288 M39029/45-295 | 16 |
| N/A | 414DA-4N | WA23-176L | WA23-4 M22520/23-04 | AMP-TYCO # 93-1813-36-3 93-1813-36-6 93-1813-36-9 | 4 |
| N/A | 414DA-4N | WA23-177L | WA23-4 M22520/23-04 | AMP-TYCO # 93-1813-37-3 | 4 |
| N/A | 414DA-8N 414DA-10N 414DA-12N | WA23-178L | WA23-2 M22520/23-02 WA23-101DA WA23-168DA | AMP-TYCO # 93-1813-49-9 93-1813-50-9 93-1813-52-9 | 8 10 12 |
| N/A | 414DA-8N 414DA-10N 414DA-12N | WA23-179L | WA23-2 M22520/23-02 WA23-101DA WA23-168DA | TYCO 93-1813-49-6 93-1813-50-6 93-1813-52-6 | 8 10 12 |
| N/A | 414DA-8N 414DA-10N 414DA-12N | WA23-180L | WA23-2 M22520/23-02 WA23-101DA WA23-168DA | TYCO 93-1813-49-3 93-1813-50-3 93-1813-52-3 | 8 10 12 |

* Pico is registered tradename for the The Pico Corporation.

Pico* to DMC Part Number Guide

| PICO* LOCATOR | PICO DIE ASSEMBLY | DMC LOCATOR | DMC DIE ASSEMBLY | CONTACTS | AWG |
|---------------|-------------------|-------------|----------------------------|---|---------------|
| N/A | 414DA-4N | WA23-182L | WA23-4 M22520/23-04 | ANDERSON POWER # 1319G4 (4 AWG) 1319 (2 AWG) | 4 2 |
| N/A | 414DA-8N | WA23-186L | WA23-2 M22520/23-02 | AMP-Tyco # 213552-2 (P) | 8 |
| 4150 | 414DA-12N | WA23-187L | WA23-168DA | PYLE NATIONAL # ZZM-40 12-36 ZZM-4112-36 ZZM-40 12-50 ZZM-4112-50 | 12 |
| N/A | 414DA-16N | WA23-188L | WA23-170DA | PYLE NATIONAL # ZZM-4016-36 ZZM-4116-36 ZZM-4016-50 ZZM-4116-50 | 16 |
| N/A | 414DA-8N | WA23-189L | WA23-2 M22520/23-02 | CANNON # 030-0560-081 | 8 |
| 4070 | 414DA-4N | WA23-190L | WA23-4 M22520/23-04 | CANNON # 031-0560-041 | 4 |
| N/A | 414DA-8N | WA23-195L | WA23-2 M22520/23-02 | BENDIX - Amphenol # 10-497086-085 | 12 (x 2) 8 |
| N/A | 414DA-6 IT | WA23-196L | WA23-130DA RADIAL CRIMP | AMP-TYCO # 52264-1 HOLLINGSWORTH # R4004BF WILCOX ELECT 025997-0003 | 6 |
| N/A | 414DA-6 NIT | WA23-201L | WA23-197DA RADIAL CRIMP | TYCO # 33465 | 6 |
| N/A | 414DA-4 NIT | WA23-202L | WA23-157DA RADIAL CRIMP | TYCO # 33469 | 4 |
| N/A | 414DA-2 NIT | WA23-203L | WA23-198DA RADIAL CRIMP | TYCO # 320383 | 2 |
| N/A | 414DA-1/0 NIT | WA23-204L | WA23-199DA RADIAL CRIMP | TYCO # 36917 | 1/0 |
| N/A | 414DA-8N | WA23-205L | WA23-2 M22520/23-02 | HONEYWELL DRAWING # 414-0508 (S) 414-0509 (P) | 8 |
| N/A | 414DA-4N | WA23-208L | WA23-4 M22520/23-04 | M39029/45-299 M39029/44-292 | 4 |
| N/A | 414DA-6N | WA23-209L | WA23-3 M22520/23-02 | TYCO # 322006 THOMAS & BETTS # 54136 | 6 |
| N/A | 414DA-6N | WA23-210L | WA23-3 M22520/23-02 | THOMAS & BETTS # 54205 | 6 |
| N/A | 414DA-2 NIT | WA23-211L | WA23-198DA RADIAL CRIMP | THOMAS & BETTS # 54148,54208 | 2 |

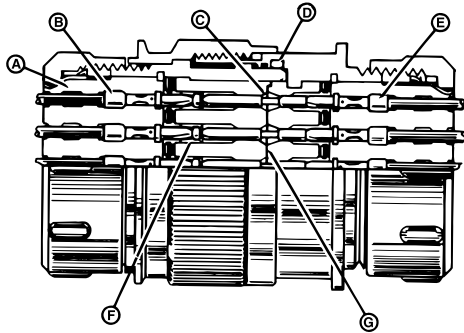
* Pico is registered trademark for the The Pico Corporation.

| PICO* LOCATOR | PICO DIE ASSEMBLY | DMC LOCATOR | DMC DIE ASSEMBLY | CONTACTS | AWG |
|---------------|----------------------|--------------|--|--|--------------------|
| N/A | 414DA 10N | WA23-215L | WA23-101DA | HARTING: 0932 000 6107 0932 000 6108 0932 000 6207 0932 000 6208 | 10 |
| N/A | 414DA-8N 414DA-6N | WA23-217L | WA23-2 M22520/23-02 (12,10,8) WA23-3 M22520/23-03 (6) | ANDERSON POWER # 5915 (10-12 AWG) 1307 (6-8 AWG) | 6 8 10 12 |
| 4046A | N/A | WA23-223L-BX | WA23-218DA | AMPHENOL # NZGC-C-8PB NZGC-C-8SB | 8 |
| 4112 | N/A | WA23-224L-BX | WA23-219DA | AMPHENOL # NZGC-C-4PB NZGC-C-4SB | 4 |
| 4301-16S | 414DA-16N-048 | WA23-225L | WA23-226DA | DEUTSCH # 0460-202-16141 0462-201-16141 | 16 |
| N/A | 414DA-12N | WA23-227L | WA23-168DA | ANDERSON POWER # 1331 | 14 SOLID |
| N/A | 414DA-8N | WA23-231L | WA23-2 M22520/23-02 | CENTERLIFT PUMPS # 36697 | 8 |
| N/A | 414DA-6N | WA23-232L | WA23-3 M22520/23-03 | CENTERLIFT PUMPS # 36698 | 6 |
| N/A | 414DA-4N | WA23-233L | WA23-4 M22520/23-04 | CENTERLIFT PUMPS # 51200 | 4 |
| N/A | 414DA-8N | WA23-234L | WA23-2 M22520/23-02 | COOPER CROUSE-HINDS # 3326376-1 | 8 |
| N/A | 414DA-8N | WA23-236L | WA23-2 M22520/23-02 | COOPER CROUSE-HINDS # 132-6371-1 | 8 |
| N/A | 414DA-12N | WA23-237L | WA23-168DA | AMP-TYCO # 212008-1 | 12 WIRE BARREL |
| N/A | 414DA-8N | WA23-237L | WA23-168DA M22520/23-02 | AMP-TYCO # 211161-1 | 8 |
| N/A | 414DA-8 IT | WA23-256L | WA23-140DA | AMP-TYCO # UN-INSUL LUG 33463 | 8 |

NOTICE: DMC's extensive experience in the wire termination industry has provided a database of comparable tooling to other tool suppliers. DMC does not take responsibility for changes or modifications made by other suppliers or users. We do, however, make every effort to confirm the cross-reference information in our database. We encourage you to report any discrepancy you may find and we invite you to send contacts/wire to DMC prior to placing your tooling order so our technical staff can verify your application.

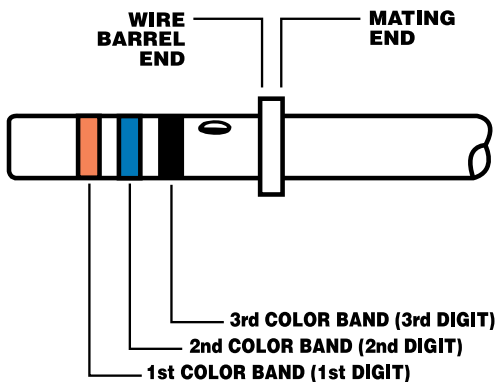
* Pico is registered trademark for the The Pico Corporation.

TYPICAL COMPLEX CABLE CONNECTOR



- A. Wire Seal
- B. Socket Contact
- C. Chamfered Socket Lead-In
- D. Peripheral O-Ring Seal
- E. Pin Contact
- F. Contact Retention Clip
- G. Interfacial Seal

CONTACT COLOR CODE AND BIN*

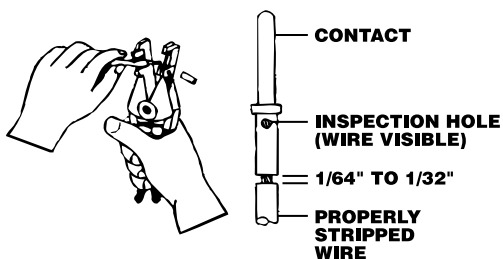


| | |
|-------------------|-------------------|
| 0 - Black | 5 - Green |
| 1 - Brown | 6 - Blue |
| 2 - Red | 7 - Violet |
| 3 - Orange | 8 - Gray |
| 4 - Yellow | 9 - White |

*BASIC IDENTIFICATION NUMBER

- Example shown: 360 (Orange, Blue, Black)
- Manufacturers have the option of identifying contacts by stamping the bin code on the shoulder or the wire barrel (size 16 and larger).

WIRE STRIPPING TECHNIQUE



1. Determine the proper length of insulation to be removed. Wire must be visible in inspection hole. Insulation must be 1/64" – 1/32" from end of contact or inside of insulation cup.
2. Insert wire into exact center of correct slot for wire size to be stripped. Each slot is marked with wire size.
3. Close handles together as close as possible.
4. To prevent birdcaging the wire, partially open handles to allow grips to open, then remove wire before allowing handles to fully open.
5. Release handles, allowing wire holder to return to open position.
6. Remove stripped wire.
7. After stripping, strands of wire should be twisted firmly together in the same direction as the normal lay of the wire.
8. Stripped wire with nicked or cut strands is not acceptable.

IMPORTANT NOTICE – The tooling listed in the technical application guides of this catalog and other DMC publications represents data which has been compiled over many years of product use and application. Some tooling suggested herein may or may not cover a user's specific contract or manufacturing requirements. It is the user's responsibility to carry out sufficient testing to verify suitability of the specific DMC product selected for the specific requirements of each particular application.

M39029 CONTACT QUICK LOCATION CHART

| CONTACT PART NUMBER | PAGE NUMBER |
|------------------------|----------------|
| M39029/1 | 54 |
| M39029/2 | 45 |
| M39029/3 | 45 |
| M39029/4 | 27, 48, 51, 52 |
| M39029/5 | 27, 48, 51, 52 |
| M39029/6 ¹ | 41, 42, 78 |
| M39029/7 ¹ | 27, 41, 78 |
| M39029/8 | 27, 78 |
| M39029/9 | 31 |
| M39029/10 | 31 |
| M39029/11 | 46 |
| M39029/12 | 46 |
| M39029/13 ¹ | 41, 78 |
| M39029/14 ¹ | 41, 78 |
| M39029/15 | Unpublished |
| M39029/16 | 44 |
| M39029/17 | 43 |
| M39029/18 | 43, 44 |
| M39029/19 ¹ | 43, 78 |
| M39029/20 ¹ | 43, 78 |
| M39029/21 ¹ | 44, 78 |
| M39029/22 | 43, 44, 55 |
| M39029/23 ¹ | 26 |
| M39029/24 ¹ | 26 |
| M39029/25 ¹ | 26, 79 |
| M39029/26 ¹ | 26, 79 |

| CONTACT PART NUMBER | PAGE NUMBER |
|------------------------|--------------------|
| M39029/27 ¹ | 35, 51, 79 |
| M39029/28 ¹ | 35, 37, 51, 79 |
| M39029/29 | 40, 50 |
| M39029/30 | 40, 50 |
| M39029/31 | 26, 28, 29, 33, 47 |
| M39029/32 | 26, 28, 29, 33, 47 |
| M39029/33 | 41 |
| M39029/34 | 30 |
| M39029/35 | 30 |
| M39029/36 | 30 |
| M39029/37 | 30 |
| M39029/38 | Unpublished |
| M39029/40 | Unpublished |
| M39029/41 | Unpublished |
| M39029/42 | Unpublished |
| M39029/43 | Unpublished |
| M39029/44 | 39 |
| M39029/45 | 39 |
| M39029/46 | 42 |
| M39029/47 | 41, 42 |
| M39029/48 | 24 |
| M39029/49 | 24 |
| M39029/50 ¹ | 52 |
| M39029/51 ¹ | 52 |
| M39029/54 ¹ | 28, 79 |
| M39029/55 ¹ | 28, 79 |

| CONTACT PART NUMBER | PAGE NUMBER |
|------------------------|----------------|
| M39029/56 | 34, 36, 37, 38 |
| M39029/57 | 25, 35, 52 |
| M39029/58 | 25, 34-38, 52 |
| M39029/59 ¹ | 25, 79 |
| M39029/60 ¹ | 25, 79 |
| M39029/63 | 25 |
| M39029/64 | 25 |
| M39029/65 | Inactive |
| M39029/66 | Inactive |
| M39029/68 | Inactive |
| M39029/69 | 53 |
| M39029/70 | 53 |
| M39029/71 ² | Wirewrap |
| M39029/72 ² | Wirewrap |
| M39029/73 ¹ | 51 |
| M39029/74 ¹ | 34, 51 |
| M39029/75 ¹ | 37, 34, 79 |
| M39029/76 ¹ | 34, 79 |
| M39029/77 ¹ | 34, 79 |
| M39029/78 ¹ | 34, 79 |
| M39029/79 ¹ | Inactive |
| M39029/80 ¹ | Inactive |
| M39029/83 | 32 |
| M39029/84 | 32 |
| M39029/85 | Call DMC |
| M39029/86 | 40, 50 |

| CONTACT PART NUMBER | PAGE NUMBER |
|-------------------------|--------------------|
| M39029/87 ³ | 25, 34, 36, 38, 52 |
| M39029/88 ³ | 34, 36, 38 |
| M39029/89 ³ | 25, 35, 52 |
| M39029/90 ¹ | 37 |
| M39029/91 ¹ | 37 |
| M39029/92 | Call DMC |
| M39029/93 | 49 |
| M39029/94 | 49 |
| M39029/95 | 49, 79 |
| M39029/96 ¹ | 49, 79 |
| M39029/97 ¹ | 49, 79 |
| M39029/98 ¹ | 49, 79 |
| M39029/99 ¹ | 49, 79 |
| M39029/100 ¹ | 49, 79 |
| M39029/101 ⁴ | Call DMC |
| M39029/102 ¹ | 34, 35, 36, 38 |
| M39029/103 ¹ | 34, 36, 38 |
| M39029/104 ¹ | 32 |
| M39029/105 ¹ | 32 |
| M39029/106 | Call DMC |
| M39029/107 | Call DMC |
| M39029/108 | Unassigned |
| M39029/109 | Unassigned |
| M39029/113 | 37 |
| M39029/114 | 37 |

¹ shielded or coax/twinax
² not crimp barrel contacts

³ thermocouple contacts
⁴ contacts for relay socket — not a connector

QPL (Qualified Product List) sources listed in the following charts may change. Verify source QPL status at the following website: <http://www.dscc.dla.mil/programs/MilSpec/>

MIL-DTL-22992 CLASS L



CIRCULAR HEAVY DUTY FRONT RELEASE CONTACTS

For Backshell Torquing Tools, see page 65.

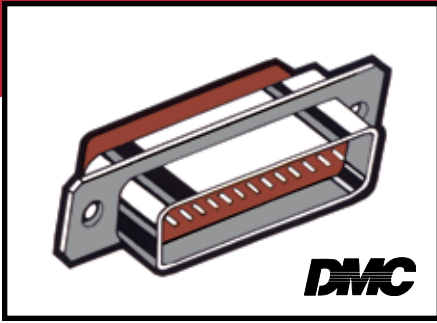
| CONNECTOR P/N | DESCRIPTION | QPL SOURCES |
|---------------|-----------------------|------------------------|
| MS90555 | WALL MOUNT RECEPTACLE | AMPHENOL ITT CANNON |
| MS90556 | STRAIGHT PLUG | |
| MS90557 | IN-LINE RECEPTACLE | |
| MS90558 | WALL MOUNT PLUG | |

| CONTACTS | SIZE (AWG) | | PIN/SOC. | PART NUMBER (CURRENT) | PART NUMBER (SUPERSEDED) | WIRE RANGE |
|--|---------------|----------------|---------------|--------------------------|-----------------------------|---------------|
| | MATING END | WIRE BARREL | | | | |
| | 6 | 6 | P | M39029/48-317 | MS90559-11 | 6 |
| | 6N | 6 | P | M39029/48-318 | MS90559-12 | 6 |
| | 6G | 6 | P | M39029/48-319 | MS90559-14 | 6 |
| | 6 | 6 | S | M39029/49-329 | MS90560-7 | 6 |
| | 6G | 6 | S | M39029/49-330 | MS90560-8 | 6 |
| | 4 | 4 | P | M39029/48-320 | MS90559-8 | 4 |
| | 4N | 4 | P | M39029/48-321 | MS90559-9 | 4 |
| | 4G | 4 | P | M39029/48-322 | MS90559-13 | 4 |
| | 4 | 4 | S | M39029/49-331 | MS90560-5 | 4 |
| | 4G | 4 | S | M39029/49-332 | MS90560-9 | 4 |
| | 0 | 0 | P | M39029/48-323 | MS90559-5 | 0 |
| | 0N | 0 | P | M39029/48-324 | MS90559-6 | 0 |
| | 0 | 0 | S | M39029/49-333 | MS90560-3 | 0 |
| | 2/0 | 2/0 | P | M39029/48-325 | MS90559-3 | 2/0 |
| | 2/0N | 2/0 | P | M39029/48-326 | MS90559-3 | 2/0 |
| | 2/0 | 2/0 | S | M39029/49-334 | MS90560-2 | 2/0 |
| | 4/0 | 4/0 | P | M39029/48-327 | MS90559-1 | 4/0 |
| 4/0N | 4/0 | P | M39029/48-328 | MS90559-2 | 4/0 | |
| TYPICAL CONTACT CONFIGURATION | 4/0 | 4/0 | S | M39029/49-335 | MS90560-1 | 4/0 |

| TOOL SELECTION | | CRIMP TOOL AND ACCESSORY | | | | | ASSEMBLY TOOLS | |
|----------------|----------------------|--------------------------|------|-------|---------------|---------------|----------------|------------------------|
| BIN* | COLOR | AF8 | AFM8 | MH860 | WA23 (POS) | WA23 (DIE) | INSTALLING | REMOVAL |
| 317 | Orange-Brown-Violet | | | | WA23-10 | WA23-3 | NONE REQ. | DRK178-6A |
| 318 | Orange-Brown-Gray | | | | WA23-10 | WA23-3 | NONE REQ. | DRK178-6A |
| 319 | Orange-Brown-White | | | | WA23-10 | WA23-3 | NONE REQ. | DRK178-6A |
| 329 | Orange-Red-White | | | | WA23-10 | WA23-3 | NONE REQ. | DRK178-6A |
| 330 | Orange-Orange-Black | | | | WA23-10 | WA23-3 | NONE REQ. | DRK178-6A |
| 320 | Orange-Red-Black | | | | WA23-12 | WA23-4 | NONE REQ. | DRK178-5A |
| 321 | Orange-Red-Brown | | | | WA23-12 | WA23-4 | NONE REQ. | DRK178-5A |
| 322 | Orange-Red-Red | | | | WA23-12 | WA23-4 | NONE REQ. | DRK178-5A |
| 331 | Orange-Orange-Brown | | | | WA23-12 | WA23-4 | NONE REQ. | DRK178-5A |
| 332 | Orange-Orange-Red | | | | WA23-12 | WA23-4 | NONE REQ. | DRK178-5A |
| 323 | Orange-Red-Orange | | | | WA23-14 | WA23-5 | NONE REQ. | DRK178-3A |
| 324 | Orange-Red-Yellow | | | | WA23-14 | WA23-5 | NONE REQ. | DRK178-3A |
| 333 | Orange-Orange-Orange | | | | WA23-15 | WA23-5 | NONE REQ. | DRK178-3A |
| 325 | Orange-Red-Green | | | | WA23-15 | WA23-6 | NONE REQ. | DRK178-2A |
| 326 | Orange-Red-Blue | | | | WA23-15 | WA23-6 | NONE REQ. | DRK178-2A |
| 334 | Orange-Orange-Yellow | | | | WA23-15 | WA23-6 | NONE REQ. | DRK178-2A |
| 327 | Orange-Red-Violet | | | | WA23-16 | WA23-7 | NONE REQ. | DRK178-1A |
| 328 | Orange-Red-Gray | | | | WA23-16 | WA23-7 | NONE REQ. | DRK178-1A |
| 335 | Orange-Orange-Green | | | | WA23-16 | WA23-7 | NONE REQ. | DRK178-1A DRK178-1A |

DMC does NOT provide connectors, contacts, or wiring components. Parts are shown here for reference only.

MIL-DTL-24308



MINIATURE RECTANGULAR RACK AND PANEL REAR RELEASE CONTACTS

| CONNECTOR P/N | DESCRIPTION | QPL SOURCES |
|---------------|--|---|
| M24308/2 | POLARIZED SHELL SOCKET CONTACTS | ADI ELECTRONICS, AMPHENOL CORP. CW INDUSTRIES, CINCH CONNECTOR CRISTEK INTERCONNECTS, BURNDY GENERAL CONNECTOR, GLASSEAL PRODUCTS, ITT CANNON, POSITRONIC INDUSTRIES, TYCO ELECTRONICS |
| M24308/4 | POLARIZED SHELL PIN CONTACTS | |
| M24308/6 | POLARIZED SHELL SOCKET CONTACTS NON-MAGNETIC | |
| M24308/8 | POLARIZED SHELL PIN CONTACTS NON-MAGNETIC | |

| CONTACTS | SIZE (AWG) | | PIN/SOC. | PART NUMBER* (CURRENT) | PART NUMBER (SUPERSEDED) | WIRE RANGE |
|---|---------------|----------------|----------|---------------------------|-----------------------------|---------------|
| | MATING END | WIRE BARREL | | | | |
| <p>TYPICAL CONTACT CONFIGURATION</p> | 20 | 20 | P | M39029/64-369 | M24308/11-1 M24308/10-1 | 20-24 |
| | 20 | 20 | S | M39029/63-368 | | 20-24 |
| | 20 | 20 | P | M39029/64-657 | | 20-24 |
| | 20 | 20 | S | M39029/63-656 | | 20-24 |
| | 22 | 22D | P | M39029/58-360 | M24308/13-1 | 22-28 |
| | 22 | 22D | S | M39029/57-354 | M24308/12-1 | 22-28 |

| TOOL SELECTION | | CRIMP TOOL AND ACCESSORY | | | | | ASSEMBLY TOOLS | |
|----------------|---------------------|--------------------------|-------|---------|---------------|---------------|--|--|
| BIN* | COLOR | AF8 | AFM8 | MH860 | WA23 (POS) | WA23 (DIE) | INSTALLING | REMOVAL |
| 369 | ORANGE-BLUE-WHITE | TP585 | K13-1 | 86-30-1 | | | DAK145 | DRK145 |
| 368 | ORANGE-BLUE-GRAY | TP585 | K13-1 | 86-30-1 | | | or M81969/1-02 | or M81969/1-02 |
| 357 | BLUE-GREEN-VIOLET | TP385 | K13-1 | 86-30-1 | | | DAK145 | DRK145 |
| 356 | BLUE-GREEN-BLUE | TP385 | K13-1 | 86-30-1 | | | or M81969/1-02 | or M81969/1-02 |
| 360 | ORANGE-BLUE-BLACK | | K42 | 86-6 | | | DAK95-22MB | DRK95-22MB |
| 354 | ORANGE-GREEN-YELLOW | | K41 | 86-5 | | | or M81969/1-04 DAK95-22MB or M81969/1-04 | or M81969/1-04 DRK95-22MB or M81969/1-04 |

*The three number suffix on M39029 series contacts is referred to as a "BIN" code. See page 22 for color stripe association.

Contact M39029/59-366 (Shielded Socket) #8 cavity, see page 79.

Contact M39029/60-367 (Shielded Pin) #8 cavity, see page 79.

Contact M39029/87 is a Thermocouple.

Contact M39029/89 is a Thermocouple.

DMC does NOT provide connectors, contacts, or wiring components. Parts are shown here for reference only.


MIL-DTL-26482 SERIES 1



CIRCULAR BAYONET COUPLING FRONT RELEASE CONTACTS

For Backshell Torquing Tools, see page 65.

| CONNECTOR P/N | DESCRIPTION | QPL SOURCES |
|---------------|-------------------------------|--|
| MS3120 | WALL MOUNT FLANGE RECEPTACLE | AMPHENOL, ARRAY CONNECTORS, BURNDY, ITT CANNON – ITT CANNON, MEXICO |
| MS3121 | CABLE CONNECTING PLUG | |
| MS3122 | BOX MOUNT FLANGE RECEPTACLE | |
| MS3124 | JAM NUT REAR MOUNT RECEPTACLE | |
| MS3126 | STRAIGHT PLUG | |
| MS3127 | BOX MOUNT FLANGE RECEPTACLE | |
| MS3128 | WALL MOUNT FLANGE RECEPTACLE | |

| CONTACTS | SIZE (AWG) | | PIN/SOC. | PART NUMBER* (CURRENT) | PART NUMBER (SUPERSEDED) | WIRE RANGE |
|---|---------------|----------------|----------|---------------------------|-----------------------------|---------------|
| | MATING END | WIRE BARREL | | | | |
|  | 12 | 12 | P | M39029/31-234 | MS3192-12-12A | 12-14 |
| | 12 | 12 | S | M39029/32-253 | MS3193-12-12A | 12-14 |
| | 16 | 16 | P | M39029/31-228 | MS3192-16-16A | 16-20 |
| | 16 | 16 | S | M39029/32-247 | MS3193-16-16A | 16-20 |
| TYPICAL CONTACT CONFIGURATION | 20 | 20 | P | M39029/31-240 | MS3192-20A-20A | 20-24 |
| | 20 | 20 | S | M39029/32-259 | MS3193-20A-20A | 20-24 |

| TOOL SELECTION | | CRIMP TOOL AND ACCESSORY | | | | | ASSEMBLY TOOLS | |
|----------------|-------------------|--------------------------|------|-------|---------------|---------------|----------------|---------|
| BIN* | COLOR | AF8 | AFM8 | MH860 | WA23 (POS) | WA23 (DIE) | INSTALLING | REMOVAL |
| 234 | RED-ORANGE-YELLOW | TH1A | | | | | DAK12B | DRK12B |
| 253 | RED-GREEN-ORANGE | TH1A | | | | | DAK12B | DRK12B |
| 228 | RED-RED-GRAY | TH1A | | 86-2 | | | DAK16B | DRK16B |
| 247 | RED-YELLOW-VIOLET | TH1A | | 86-2 | | | DAK16B | DRK16B |
| 240 | RED-YELLOW-BLACK | TH1A | K1S | 86-1S | | | DAK20B** | DRK20B |
| 259 | RED-GREEN-WHITE | TH1A | K1S | 86-1S | | | DAK20B** | DRK20B |

*The three number suffix on M39029 series contacts is referred to as a "BIN" code. See page 22 for color stripe association.**

** For #20 VG26482 Contacts use DAK490 Installing Tool.

Contact M39029/23-194 to 198 (Shielded Pin) #8 cavity, Inactive.

Contact M39029/24-199 to 203 (Shielded Socket) #8 cavity, Inactive.

Contact M39029/25-204 to 206 (Shielded Pin) #12 cavity, see page 79.

Contact M39029/26-207 to 209 (Shielded Socket) #12 cavity, see page 79.

DMC does NOT provide connectors, contacts, or wiring components. Parts are shown here for reference only.

MIL-DTL-26482 SERIES 2



CIRCULAR BAYONET COUPLING REAR RELEASE CONTACTS

For Backshell Torquing Tools, see page 65.

| CONNECTOR P/N | DESCRIPTION | QPL SOURCES |
|---------------|-----------------------------------|--|
| MS3470 | WALL MOUNT FLANGE RECEPTACLE | AERO ELECTRIC, AMPHENOL, DEUTSCH BURNDY, ITT CANNON, HERMETIC SEAL CORPORATION |
| MS3471 | CABLE CONNECTING PLUG | |
| MS3472 | WIDE FLANGE WALL MOUNT RECEPTACLE | |
| MS3474 | JAM NUT REAR MOUNT RECEPTACLE | |
| MS3475 | PLUG RFI | |
| MS3476 | STRAIGHT PLUG | |

| CONTACTS | SIZE (AWG) | | PIN/SOC. | PART NUMBER* (CURRENT) | PART NUMBER (SUPERSEDED) | WIRE RANGE |
|---|---------------|----------------|----------|---------------------------|-----------------------------|---------------|
| | MATING END | WIRE BARREL | | | | |
| <p>TYPICAL CONTACT CONFIGURATION</p> | 12 | 12 | P | M39029/4-113 | M39029/4-12-12 | 12-14 |
| | 12 | 12 | S | M39029/5-118 | M39029/5-12-12 | 12-14 |
| | 12 | 16 | P | M39029/4-114 | M39029/4-12-16 | 16-20 |
| | 12 | 16 | S | M39029/5-119 | M39029/5-12-16 | 16-20 |
| | 16 | 16 | P | M39029/4-111 | M39029/4-16-16 | 16-20 |
| | 16 | 16 | S | M39029/5-116 | M39029/5-16-16 | 16-20 |
| | 16 | 20 | P | M39029/4-112 | M39029/4-16-20 | 20-24 |
| | 16 | 20 | S | M39029/5-117 | M39029/5-16-20 | 20-24 |
| | 20 | 20 | P | M39029/4-110 | M39029/4-20-20 | 20-24 |
| | 20 | 20 | S | M39029/5-115 | M39029/5-20-20 | 20-24 |

| TOOL SELECTION | | CRIMP TOOL AND ACCESSORY | | | | | ASSEMBLY TOOLS | |
|----------------|--------------------|--------------------------|------|-------|---------------|---------------|----------------|-----------|
| BIN* | COLOR | AF8 | AFM8 | MH860 | WA23 (POS) | WA23 (DIE) | INSTALLING | REMOVAL |
| 113 | BROWN-BROWN-ORANGE | TH1A | | | | | DAK83-12B | DRK83-12B |
| 118 | BROWN-BROWN-GRAY | TH1A | | | | | DAK83-12B | DRK83-12B |
| 114 | BROWN-BROWN-YELLOW | TH1A | | 86-2 | | | DAK83-12B | DRK83-12B |
| 119 | BROWN-BROWN-WHITE | TH1A | | 86-2 | | | DAK83-12B | DRK83-12B |
| 111 | BROWN-BROWN-BROWN | TH1A | | 86-2 | | | DAK83-16B | DRK83-16B |
| 116 | BROWN-BROWN-BLUE | TH1A | | 86-2 | | | DAK83-16B | DRK83-16B |
| 112 | BROWN-BROWN-RED | TH1A | | 86-2 | | | DAK83-16B | DRK83-16B |
| 117 | BROWN-BROWN-VIOLET | TH1A | | 86-2 | | | DAK83-16B | DRK83-16B |
| 110 | BROWN-BROWN-BLACK | TH1A | K1S | 86-1S | | | DAK83-20B | DRK83-20B |
| 115 | BROWN-BROWN-GREEN | TH1A | K1S | 86-1S | | | DAK83-20B | DRK83-20B |

*The three number suffix on M39029 series contacts is referred to as a "BIN" code. See page 22 for color stripe association.

Contact M39029/7-126 to 128 (Shielded Pin) #12 cavity, see page 78.

Contact M39029/8-129 to 131 (Shielded Socket) #12 cavity, see page 78.

DMC does NOT provide connectors, contacts, or wiring components. Parts are shown here for reference only.



MIL-DTL-26500

CIRCULAR THREADED OR BAYONET COUPLING FRONT RELEASE CONTACTS

For Backshell Torquing Tools, see page 65.

| CONNECTOR P/N | DESCRIPTION | QPL SOURCES |
|---------------|------------------------------|---|
| MS24264 | FLANGE MOUNT RECEPTACLE | PYLE-NATIONAL, AERO ELECTRIC, RMS COMPANY, CINCH CONNECTOR DIVISION AMPHENOL, HERMETIC SEAL CORPORATION, AMERICAN MICRO PRODUCTS |
| MS24265 | SINGLE HOLE MOUNT RECEPTACLE | |
| MS24266 | STRAIGHT PLUG | |
| MS27613 | WALL MOUNT RECEPTACLE | |
| MS27614 | JAM NUT | |
| MS27615 | PLUG | |

| CONTACTS | SIZE (AWG) | | PIN/SOC. | PART NUMBER* (CURRENT) | PART NUMBER (SUPERSEDED) | WIRE RANGE |
|--|---------------|----------------|----------|---------------------------|-----------------------------|---------------|
| | MATING END | WIRE BARREL | | | | |
| | 12 | 12 | P | M39029/31-235 | MS24254-12P | 12-14 |
| | 12 | 12 | S | M39029/32-254 | MS24255-12S | 12-14 |
| | 16 | 16 | P | M39029/31-229 | MS24254-16P | 16-20 |
| | 16 | 16 | S | M39029/32-248 | MS24255-16S | 16-20 |
| TYPICAL CONTACT CONFIGURATION | 20 | 20 | P | M39029/31-241 | MS24254-20P | 20-24 |
| | 20 | 20 | S | M39029/32-260 | MS24255-20S | 20-24 |

| TOOL SELECTION | | CRIMP TOOL AND ACCESSORY | | | | | ASSEMBLY TOOLS | |
|----------------|------------------|--------------------------|------|-------|---------------|---------------|----------------|---------|
| BIN* | COLOR | AF8 | AFM8 | MH860 | WA23 (POS) | WA23 (DIE) | INSTALLING | REMOVAL |
| 235 | RED-ORANGE-GREEN | TH1A | | | | | DAK12B | DRK12B |
| 254 | RED-GREEN-YELLOW | TH1A | | | | | DAK12B | DRK12B |
| 229 | RED-RED-WHITE | TH1A | | 86-2 | | | DAK16B | DRK16B |
| 248 | RED-YELLOW-GRAY | TH1A | | 86-2 | | | DAK16B | DRK16B |
| 241 | RED-YELLOW-BROWN | TH1A | K1S | 86-2 | | | DAK20B | DRK20B |
| 260 | RED-BLUE-BLACK | TH1A | K1S | 86-2 | | | DAK20B | DRK20B |

*The three number suffix on M39029 series contacts is referred to as a "BIN" code. See page 22 for color stripe association.

Contact M39029/54-342 (Shielded Pin) #12 cavity, see page 79.

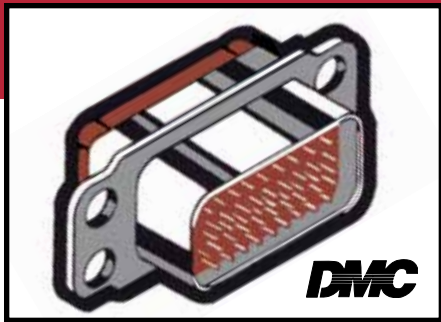
Contact M39029/54-343 (Shielded Pin) #8 cavity, see page 79.

Contact M39029/55-344 (Shielded Socket) #12 cavity, see page 79.

Contact M39029/55-345 (Shielded Socket) #8 cavity, see page 79.

DMC does NOT provide connectors, contacts, or wiring components. Parts are shown here for reference only.

MIL-DTL-26518 CLASS R



MINIATURE RECTANGULAR RACK AND PANEL FRONT RELEASE CONTACTS

| CONNECTOR P/N | DESCRIPTION | QPL SOURCES |
|---------------|-------------|-------------|
| M24285 | RECEPTACLE | AMPHENOL |
| M24286 | PLUG | |

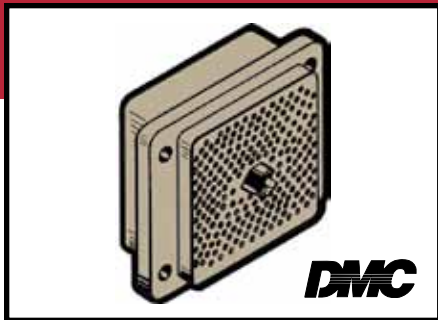
| CONTACTS | SIZE (AWG) | | PIN/SOC. | PART NUMBER* (CURRENT) | PART NUMBER (SUPERSEDED) | WIRE RANGE |
|--|---------------|----------------|----------|---------------------------|-----------------------------|---------------|
| | MATING END | WIRE BARREL | | | | |
| | 12 | 12 | P | M39029/31-235 | MS24254-12P | 12-14 |
| | 12 | 12 | S | M39029/32-254 | MS24255-12S | 12-14 |
| | 16 | 16 | P | M39029/31-229 | MS24254-16P | 16-20 |
| | 16 | 16 | S | M39029/32-248 | MS24255-16S | 16-20 |
| TYPICAL CONTACT CONFIGURATION | 20 | 20 | P | M39029/31-241 | MS24254-20P | 20-24 |
| | 20 | 20 | S | M39029/32-260 | MS24255-20S | 20-24 |

| TOOL SELECTION | | CRIMP TOOL AND ACCESSORY | | | | | ASSEMBLY TOOLS | |
|----------------|--------------------------------------|--------------------------|------------|----------------|---------------|---------------|------------------|------------------|
| BIN* | COLOR | AF8 | AFM8 | MH860 | WA23 (POS) | WA23 (DIE) | INSTALLING | REMOVAL |
| 235 254 | RED-ORANGE-GREEN RED-GREEN-YELLOW | TH1A TH1A | | | | | DAK12B DAK12B | DRK12B DRK12B |
| 229 248 | RED-RED-WHITE RED-YELLOW-GRAY | TH1A TH1A | | 86-2 86-2 | | | DAK16B DAK16B | DRK16B DRK16B |
| 241 260 | RED-YELLOW-BROWN RED-BLUE-BLACK | TH1A TH1A | K1S K1S | 86-1S 86-1S | | | DAK20B DAK20B | DRK20B DRK20B |

| TOOL SELECTION | | CRIMP TOOL AND ACCESSORY | | | | | ASSEMBLY TOOLS | |
|----------------|--------------------------------------|--------------------------|------------|----------------|---------------|---------------|------------------|------------------|
| BIN* | COLOR | AF8 | AFM8 | MH860 | WA23 (POS) | WA23 (DIE) | INSTALLING | REMOVAL |
| 235 254 | RED-ORANGE-GREEN RED-GREEN-YELLOW | TH1A TH1A | | | | | DAK12B DAK12B | DRK12B DRK12B |
| 229 248 | RED-RED-WHITE RED-YELLOW-GRAY | TH1A TH1A | | 86-2 86-2 | | | DAK16B DAK16B | DRK16B DRK16B |
| 241 260 | RED-YELLOW-BROWN RED-BLUE-BLACK | TH1A TH1A | K1S K1S | 86-1S 86-1S | | | DAK20B DAK20B | DRK20B DRK20B |

*The three number suffix on M39029 series contacts is referred to as a "BIN" code. See page 22 for color stripe association.

DMC does NOT provide connectors, contacts, or wiring components. Parts are shown here for reference only.



MIL-DTL-28748

RECTANGULAR RACK AND PANEL

| CONNECTOR P/N | DESCRIPTION | QPL SOURCES |
|---------------|---|---|
| M28748/3 | PIN CONTACTS SIZE 16 & 20 | CONTINENTAL CONNECTOR CO., POSITRONIC INDUSTRIES, WINCHESTER ELECTRONICS, DELPHI CONNECTION SYSTEMS, J-TECH, INC. |
| M28748/4 | SKT CONTACTS SIZE 16 & 20 | |
| M28748/9 | PIN CONTACTS 16 POLARIZED CENTER SCREW LOCK | |
| M28748/10 | SKT CONTACTS 16 POLARIZED CENTER SCREW LOCK | |
| M28748/13 | PIN CONTACTS 22 | |
| M28748/14 | SKT CONTACTS 22 | |

| CONTACTS | SIZE (AWG) | | PIN/SOC. | PART NUMBER* (CURRENT) | PART NUMBER (SUPERSEDED) | WIRE RANGE |
|--|---------------|----------------|----------|---------------------------|-----------------------------|---------------|
| | MATING END | WIRE BARREL | | | | |
| | 16 | 16 | P | M39029/36-278 | MS17807-16-16 | 16-20 |
| | 16 | 16 | S | M39029/37-280 | MS17808-16-16 | 16-20 |
| | 16 | 20 | P | M39029/36-277 | MS17807-16-20 | 20-24 |
| | 16 | 20 | S | M39029/37-279 | MS17808-16-20 | 20-24 |
| TYPICAL CONTACT CONFIGURATION | 16 | 16 | P | M39029/34-273 | MS17803-16-16 | 16-20 |
| | 16 | 16 | S | M39029/35-276 | MS17804-16-16 | 16-20 |
| | 16 | 20 | P | M39029/34-272 | MS17803-16-20 | 20-24 |
| | 16 | 20 | S | M39029/35-275 | MS17804-16-20 | 20-24 |
| | 20 | 20 | P | M39029/34-271 | MS17803-20-20 | 20-24 |
| | 20 | 20 | S | M39029/35-274 | MS17804-20-20 | 20-24 |
| | 22 | 22 | P | M39029/34-440 | M39029/34-22-22 | 22-26 |
| | 22 | 22 | S | M39029/35-441 | M39029/35-22-22 | 22-26 |

| TOOL SELECTION | | CRIMP TOOL AND ACCESSORY | | | | | ASSEMBLY TOOLS | |
|----------------|---------------------|--------------------------|------|--------|---------------|---------------|----------------|------------|
| BIN* | COLOR | AF8 | AFM8 | MH860 | WA23 (POS) | WA23 (DIE) | INSTALLING | REMOVAL |
| 278 | RED-VIOLET-GRAY | TH4 | | | | | DAK123A | DRK124A |
| 280 | RED-GRAY-BLACK | TH4 | | | | | DAK123A | DRK124A |
| 277 | RED-VIOLET-VIOLET | TH4 | | | | | DAK123A | DRK124A |
| 279 | RED-VIOLET-WHITE | TH4 | | | | | DAK123A | DRK124A |
| 273 | RED-VIOLET-ORANGE | TH4 | | 86-146 | | | DAK123A | DRK124A |
| 276 | RED-VIOLET-BLUE | TH4 | | 86-146 | | | DAK123A | DRK124A |
| 272 | RED-VIOLET-RED | TH4 | | 86-146 | | | DAK123A | DRK124A |
| 275 | RED-VIOLET-GREEN | TH4 | | 86-146 | | | DAK123A | DRK124A |
| 271 | RED-VIOLET-BROWN | TH4 | | 86-146 | | | DAK123A | DRK124A |
| 274 | RED-VIOLET-YELLOW | TH4 | | 86-146 | | | DAK123A | DRK124A |
| 440 | YELLOW-YELLOW-BLACK | | K280 | | | | DAK123-22A | DRK124-22A |
| 441 | YELLOW-YELLOW-BROWN | | K280 | | | | DAK123-22A | DRK124-22A |

*The three number suffix on M39029 series contacts is referred to as a "BIN" code. See page 22 for color stripe association.


DMC does NOT provide connectors, contacts, or wiring components. Parts are shown here for reference only.



MIL-DTL-28804

RECTANGULAR POLARIZED CENTER JACKSCREW HIGH DENSITY REAR RELEASE CONTACT

| CONNECTOR P/N | DESCRIPTION | QPL SOURCES |
|---------------|---|---------------------------|
| M28804/1 | NON-ENVIRONMENTAL RECEPTACLE (SOCKETS) | DELPHI CONNECTION SYSTEMS |
| M28804/2 | NON-ENVIRONMENTAL PLUG (PINS) | |
| M28804/3 | ENVIRONMENTAL RECEPTACLE (SOCKETS) | |
| M28804/4 | ENVIRONMENTAL PLUG (PINS) | |
| M28804/5 | ENVIRONMENTAL RECEPTACLE (SOCKETS) (POTTING TYPE) | |
| M28804/6 | ENVIRONMENTAL PLUG (PINS) (POTTING TYPE) | |

| CONTACTS | SIZE (AWG) | | PIN/SOC. | PART NUMBER* (CURRENT) | PART NUMBER (SUPERSEDED) | WIRE RANGE |
|---|---------------|----------------|----------|---------------------------|-----------------------------|---------------|
| | MATING END | WIRE BARREL | | | | |
|  <p>TYPICAL CONTACT CONFIGURATION</p> | 22 | 22D | P | M28804/9-1 | | 22-28 |
| | 22 | 22D | S | M28804/10-1 | | 22-28 |

| TOOL SELECTION | | CRIMP TOOL AND ACCESSORY | | | | | ASSEMBLY TOOLS | |
|----------------|-------|--------------------------|------|--------|---------------|---------------|----------------|-------------|
| BIN* | COLOR | AF8 | AFM8 | MH860 | WA23 (POS) | WA23 (DIE) | INSTALLING | REMOVAL |
| -- | NONE | | K473 | 86-193 | | | M81969/1-04 | M81969/1-04 |
| -- | NONE | | K473 | 86-193 | | | M81969/1-04 | M81969/1-04 |

*The three number suffix on M39029 series contacts is referred to as a "BIN" code. See page _____ for color stripe association.

DMC does NOT provide connectors, contacts, or wiring components. Parts are shown here for reference only.



MIL-DTL-28840

CIRCULAR - THREADED COUPLING FRONT RELEASE CONTACTS HIGH DENSITY - HIGH SHOCK

For Backshell Torquing Tools, see page 65.

| CONNECTOR P/N | DESCRIPTION | QPL SOURCES |
|---------------|------------------------------------|---|
| M28840/10 | WALL MOUNT RECEPTACLE | GLENAIR, ITT CANNON, DELPHI CONNECTION SYSTEMS |
| M28840/11 | CABLE CONNECTING RECEPTACLE | |
| M28840/12 | BOX MOUNT RECEPTACLE | |
| M28840/14 | JAM NUT MOUNT RECEPTACLE | |
| M28840/16 | STRAIGHT PLUG | |
| M28840/17 | PLUG OPEN WIRE ASSEMBLY | |
| M28840/18 | PLUG OPEN WIRE ASSEMBLY 90° ELBOW | |
| M28840/19 | PLUG OPEN WIRE ASSEMBLY 45° ELBOW | |
| M28840/20 | WALL MOUNT ASSEMBLY STRAIGHT | |
| M28840/21 | CABLE CONVERTING ASSEMBLY STRAIGHT | |
| M28840/26 | PLUG ASSEMBLY STRAIGHT | |
| M28840/28 | PLUG ASSEMBLY 90° ELBOW | |
| M28840/29 | PLUG ASSEMBLY 45° ELBOW | |

| CONTACTS | SIZE (AWG) | | PIN/SOC. | PART NUMBER* (CURRENT) | PART NUMBER (SUPERSEDED) | WIRE RANGE |
|--------------------------------------|------------|-------------|----------|---------------------------|-----------------------------|------------|
| | MATING END | WIRE BARREL | | | | |
| | 20 | 20 | P | M39029/83-508 | M39029/83-20-20 | 20-24 |
| | 20 | 20 | S | M39029/84-509 | M39029/84-20-20 | 20-24 |
| | 20 | 22 | P | M39029/83-450 | M39029/83-20-22 | 22-26 |
| | 20 | 22 | S | M39029/84-452 | M39029/84-20-22 | 22-26 |
| TYPICAL CONTACT CONFIGURATION | 20 | 28 | P | M39029/83-451 | M39029/83-20-28 | 28-32 |
| | 20 | 28 | S | M39029/84-453 | M39029/84-20-28 | 28-32 |

| TOOL SELECTION | | CRIMP TOOL AND ACCESSORY** | | | | ASSEMBLY TOOLS** | |
|----------------|---|----------------------------|--------------|-------|------------------|---|------------------------|
| BIN* | COLOR | AF8 | AFM8 | MH860 | 39-000 | INSTALLING | REMOVAL |
| 508 509 | GREEN-BLACK-GRAY GREEN-BLACK-WHITE | | K534 K534 | | 39-102 39-102 | DAK55-22SA (STRAIGHT) or DAK55-22JA (OFFSET) | DRK56-22A DRK56-22A |
| 450 452 | YELLOW-GREEN-BLACK YELLOW-GREEN-RED | | K534 K534 | | 39-102 39-102 | DAK55-22SA (STRAIGHT) or DAK55-22JA (OFFSET) | DRK56-22A DRK56-22A |
| 451 453 | YELLOW-GREEN-BROWN YELLOW-GREEN-ORANGE | | K534 K534 | | 39-102 39-102 | DAK55-22SA (STRAIGHT) or DAK55-22JA (OFFSET) | DRK56-22A DRK56-22A |

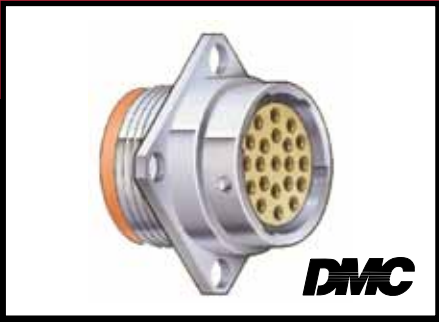
*The three number suffix on M39029 series contacts is referred to as a "BIN" code. See page 22 for color stripe association.

** See page 9 for more information on MIL-DTL-28840 Tooling.

Contact M39029/104 (Concentric Twinax pin) size 8

Contact M39029/105 (Concentric Twinax pin) size 8

DMC does NOT provide connectors, contacts, or wiring components. Parts are shown here for reference only.



MIL-C-38300

CIRCULAR THREADED OR BAYONET COUPLING FRONT RELEASE CONTACTS

For Backshell Torquing Tools, see page 65.

| CONNECTOR P/N | DESCRIPTION | QPL SOURCES |
|---------------|------------------------------|----------------|
| MS24264 | FLANGE MOUNT RECEPTACLE | NO QPL SOURCES |
| MS24265 | SINGLE HOLE MOUNT RECEPTACLE | |
| MS24266 | STRAIGHT PLUG | |

| CONTACTS | SIZE (AWG) | | PIN/SOC. | PART NUMBER* (CURRENT) | PART NUMBER (SUPERSEDED) | WIRE RANGE |
|----------|---------------|----------------|----------|--------------------------------|-----------------------------|----------------|
| | MATING END | WIRE BARREL | | | | |
| | 16 16 | 16 16 | P S | M39029/31-229 M39029/32-248 | MS24254-16P MS24255-16S | 16-20 16-20 |
| | 20 20 | 20 20 | P S | M39029/31-241 M39029/32-260 | MS24254-20P MS24255-20S | 20-24 20-24 |

| TOOL SELECTION | | CRIMP TOOL AND ACCESSORY | | | | | ASSEMBLY TOOLS | |
|----------------|------------------------------------|--------------------------|------------|----------------|---------------|---------------|------------------|------------------|
| BIN* | COLOR | AF8 | AFM8 | MH860 | WA23 (POS) | WA23 (DIE) | INSTALLING | REMOVAL |
| 229 248 | RED-RED-WHITE RED-YELLOW-GRAY | TH1A TH1A | | 86-2 86-2 | | | DAK16B DAK16B | DHK16B DHK16B |
| 241 260 | RED-YELLOW-BROWN RED-BLUE-BLACK | TH1A TH1A | K1S K1S | 86-1S 86-1S | | | DAK20B DAK20B | DHK20B DHK20B |

*The three number suffix on M39029 series contacts is referred to as a "BIN" code. See page 22 for color stripe association.

DMC does NOT provide connectors, contacts, or wiring components. Parts are shown here for reference only.

MIL-PRF-38999 SERIES 1



SCOOP PROOF – CIRCULAR BAYONET COUPLING REAR RELEASE CONTACTS

For Backshell Torquing Tools, see page 65.

| CONNECTOR P/N | DESCRIPTION | QPL SOURCES |
|---------------|----------------------------------|---|
| MS27466 | WALL MOUNT FLANGE RECEPTACLE | AERO ELECTRIC, PYLE-NATIONAL, SOCAPEX, SOURIAU, DEUTSCH, BURNDY, ITT CANNON, VEAM, AMERICAN MICRO PRODUCTS, GLENAIR, HERMETIC SEAL CORPORATION, HI REL CONNECTORS, SEALTRON |
| MS27467 | STRAIGHT PLUG | |
| MS27468 | JAM NUT MOUNT RECEPTACLE | |
| MS27496 | RECEPTACLE | |
| MS27505 | BOX MOUNT FLANGE RECEPTACLE | |
| MS27656 | BACK PANEL WALL MOUNT RECEPTACLE | |

| CONTACTS | SIZE (AWG) | | PIN/SOC. | PART NUMBER* (CURRENT) | PART NUMBER (SUPERSEDED) | WIRE RANGE |
|--|------------|-------------|---------------|---------------------------|-----------------------------|------------|
| | MATING END | WIRE BARREL | | | | |
| TYPICAL CONTACT CONFIGURATION | 12 | 12 | P | M39029/58-365 | MS27493-12 | 12-14 |
| | 12 | 12 | S | M39029/56-353 | MS27490-12 | 12-14 |
| | 16 | 16 | P | M39029/58-364 | MS27493-16 | 16-20 |
| | 16 | 16 | S | M39029/56-352 | MS27490-16 | 16-20 |
| | 20 | 20 | P | M39029/58-363 | MS27493-20 | 20-24 |
| | 20 | 20 | S | M39029/56-351 | MS27490-20 | 20-24 |
| | 22 | 22 | P | M39029/58-362 | MS27493-22 | 22-26 |
| | 22 | 22 | S | M39029/56-350 | MS27490-22 | 22-26 |
| | 22 | 22M | P | M39029/58-361 | MS27493-22M | 24-28 |
| | 22 | 22M | S | M39029/56-349 | MS27490-22M | 24-28 |
| 22 | 22D | P | M39029/58-360 | MS27493-22D | 22-28 | |
| 22 | 22D | S | M39029/56-348 | MS27490-22D | 22-28 | |
| 10 | 10 | P | M39029/58-528 | — | 10 | |
| 10 | 10 | S | M39029/56-527 | — | 10 | |

| TOOL SELECTION | | CRIMP TOOL AND ACCESSORY | | | | | ASSEMBLY TOOLS | | |
|----------------|---------------------|--------------------------|------|-------|------------|------------|----------------|------------|-----------|
| BIN* | COLOR | AF8 | AFM8 | MH860 | WA23 (POS) | WA23 (DIE) | INSTALLING | REMOVAL | |
| 365 | ORANGE-BLUE-GREEN | TH163 | | | | | DAK95-12B | DRK95-12B | |
| 353 | ORANGE-GREEN-ORANGE | TH163 | | | | | DAK95-12B | DRK95-12B | |
| 364 | ORANGE-BLUE-YELLOW | TH163 | | 86-3 | | | DAK95-16B | DRK95-16B | |
| 352 | ORANGE-GREEN-RED | TH163 | | 86-3 | | | DAK95-16B | DRK95-16B | |
| 363 | ORANGE-BLUE-ORANGE | TH163 | K43 | 86-7 | | | DAK95-20B | DRK95-20B | |
| 351 | ORANGE-GREEN-BROWN | TH163 | K43 | 86-7 | | | DAK95-20B | DRK95-20B | |
| 362 | ORANGE-BLUE-RED | | K42 | 86-6 | | | DAK95-22B | DRK95-22B | |
| 350 | ORANGE-GREEN-BLACK | | K40 | 86-4 | | | DAK95-22B | DRK95-22B | |
| 361 | ORANGE-BLUE-BROWN | | K42 | 86-6 | | | DAK95-22MB | DRK95-22MB | |
| 349 | ORANGE-YELLOW-WHITE | | K40 | 86-4 | | | DAK95-22MB | DRK95-22MB | |
| 360 | ORANGE-BLUE-BLACK | | K42 | 86-6 | | | DAK95-22MB | DRK95-22MB | |
| 348 | ORANGE-YELLOW-GRAY | | K40 | 86-4 | | | DAK95-22MB | DRK95-22MB | |
| 528 | GREEN-RED-GRAY | 1716P-1 (Complete Tool) | | | | | | DAK95-10B | DRK95-10B |
| 527 | GREEN-RED-VIOLET | 1716P-1 (Complete Tool) | | | | | | DAK95-10B | DRK95-10B |

*The three number suffix on M39029 series contacts is referred to as a "BIN" code. See page 22 for color stripe association.

Contact M39029/74-423 (Shielded Socket) #12 cavity, solder.
 Contact M39029/75-416 to 422 (Shielded Socket) #12 cavity, see page 79.
 Contact M39029/76-424 to 427 (Shielded Pin) #16 cavity, see page 79.
 Contact M39029/77-428 to 432 (Shielded Socket) #16 cavity, see page 79.
 Contact M39029/78-433 to 425 (Shielded Socket) #16 cavity, see page 79.

Contact M39029/87 is a Thermocouple.
 Contact M39029/88 is a Thermocouple.
 Contact M39029/102 (Coaxial Pin) Size 12.
 Contact M39029/103 (Coaxial Socket) Size 12.

DMC does NOT provide connectors, contacts, or wiring components. Parts are shown here for reference only.

MIL-PRF-38999 SERIES 2



LOW SILHOUETTE – CIRCULAR BAYONET COUPLING REAR RELEASE CONTACTS

For Backshell Torquing Tools, see page 65.

| CONNECTOR P/N | DESCRIPTION | QPL SOURCES |
|---------------|----------------------------------|---|
| MS27472 | WALL MOUNT FLANGE RECEPTACLE | AERO ELECTRIC, AMPHENOL, HI REL, ITT CANNON, BURNDY, AMERICAN MICRO PRODUCTS, GLENAIR, HERMETIC SEAL CORPORATION, SEALTRON, SOURIAU, VEAM |
| MS27473 | STRAIGHT PLUG | |
| MS27474 | JAM NUT MOUNT RECEPTACLE | |
| MS27499 | BOX MOUNT RECEPTACLE | |
| MS27508 | BOX MOUNT FLANGE RECEPTACLE | |
| MS27497 | BACK PANEL WALL MOUNT RECEPTACLE | |
| MS27484 | RFI PLUG | |

| CONTACTS | SIZE (AWG) | | PIN/SOC. | PART NUMBER* (CURRENT) | PART NUMBER (SUPERSEDED) | WIRE RANGE |
|-------------------------------|------------|-------------|----------|---------------------------|-----------------------------|------------|
| | MATING END | WIRE BARREL | | | | |
| | 12 | 12 | P | M39029/58-365 | MS27493-12 | 12-14 |
| | 12 | 12 | S | M39029/57-359 | MS27491-12 | 12-14 |
| | 16 | 16 | P | M39029/58-364 | MS27493-16 | 16-20 |
| | 16 | 16 | S | M39029/57-358 | MS27491-16 | 16-20 |
| | 20 | 20 | P | M39029/58-363 | MS27493-10 | 20-24 |
| | 20 | 20 | S | M39029/57-357 | MS27491-20 | 20-24 |
| | 22 | 22 | P | M39029/58-362 | MS27493-22 | 22-26 |
| | 22 | 22 | S | M39029/57-356 | MS27491-22 | 22-26 |
| | 22 | 22M | P | M39029/58-361 | MS27493-22M | 24-28 |
| | 22 | 22M | S | M39029/57-355 | MS27491-22M | 24-28 |
| TYPICAL CONTACT CONFIGURATION | 22 | 22D | P | M39029/58-360 | MS27493-22D | 22-28 |
| | 22 | 22D | S | M39029/57-354 | MS27491-22D | 22-28 |

| TOOL SELECTION | | CRIMP TOOL AND ACCESSORY | | | | | ASSEMBLY TOOLS | |
|----------------|---------------------|--------------------------|------|-------|------------|------------|----------------|------------|
| BIN* | COLOR | AF8 | AFM8 | MH860 | WA23 (POS) | WA23 (DIE) | INSTALLING | REMOVAL |
| 365 | ORANGE-BLUE-GREEN | TH163 | | | | | DAK95-12B | DRK95-12B |
| 359 | ORANGE-GREEN-WHITE | TH163 | | | | | DAK95-12B | DRK95-12B |
| 364 | ORANGE-BLUE-YELLOW | TH163 | | 86-3 | | | DAK95-16B | DRK95-16B |
| 358 | ORANGE-GREEN-GRAY | TH163 | | 86-3 | | | DAK95-16B | DRK95-16B |
| 363 | ORANGE-BLUE-ORANGE | TH163 | K43 | 86-7 | | | DAK95-20B | DRK95-20B |
| 357 | ORANGE-GREEN-VIOLET | TH163 | K43 | 86-7 | | | DAK95-20B | DRK95-20B |
| 362 | ORANGE-BLUE-RED | | K42 | 86-6 | | | DAK95-22B | DRK95-22B |
| 356 | ORANGE-GREEN-BLUE | | K41 | 86-5 | | | DAK95-22B | DRK95-22B |
| 361 | ORANGE-BLUE-BROWN | | K42 | 86-6 | | | DAK95-22MB | DRK95-22MB |
| 355 | ORANGE-GREEN-GREEN | | K41 | 86-5 | | | DAK95-22MB | DRK95-22MB |
| 360 | ORANGE-BLUE-BLACK | | K42 | 86-6 | | | DAK95-22MB | DRK95-22MB |
| 354 | ORANGE-GREEN-YELLOW | | K41 | 86-5 | | | DAK95-22MB | DRK95-22MB |

*The three number suffix on M39029 series contacts is referred to as a "BIN" code. See page 22 for color stripe association.

Contact M39029/27-210 (Shielded Socket) #12 cavity, Inactive.
 Contact M39029/28-271 (Shielded Pin) #12 cavity, Inactive.
 Contact M39029/89 is a Thermocouple.
 Contact M39029/102 (Coaxial Pin) Size 12.

DMC does NOT provide connectors, contacts, or wiring components. Parts are shown here for reference only.

MIL-PRF-38999 SERIES 3



TRI-START COUPLING CIRCULAR REAR RELEASE CONTACTS

For Backshell Torquing Tools, see page 65.

| CONNECTOR P/N | DESCRIPTION | QPL SOURCES |
|-----------------|------------------------------|--|
| D38999/20 | WALL MOUNT FLANGE RECEPTACLE | AERO ELECTRIC, AMPHENOL , PYLE-NATIONAL, DEUTSCH, BURNDY, HI REL. ITT CANNON, VEAM, G&H TECHNOLOGY, AMERICAN MICRO PRODUCTS, HERMETIC SEAL CORPORATION, SEALTRON, GLENAIR, SOURIAU, SOCAPEX, AB CONNECTORS |
| D38999/24 & /34 | JAM NUT MOUNT RECEPTACLE | |
| D38999/26 | STRAIGHT PLUG | |
| D38999/29 & /31 | LAYNARD RELEASE PLUG | |
| D38999/35 | WALL MOUNT RECEPTACLE | |
| D38999/36 | LAYNARD RELEASE PLUG | |

| CONTACTS | SIZE (AWG) | | PIN/SOC. | PART NUMBER* (CURRENT) | PART NUMBER (SUPERSEDED) | WIRE RANGE |
|---|------------|-------------|----------|---------------------------|-----------------------------|------------|
| | MATING END | WIRE BARREL | | | | |
| <p>TYPICAL CONTACT CONFIGURATION</p> | 12 | 12 | P | M39029/58-365 | MS27493-12 | 12-14 |
| | 12 | 12 | S | M39029/56-353 | MS27490-12 | 12-14 |
| | 16 | 16 | P | M39029/58-364 | MS27493-16 | 16-20 |
| | 16 | 16 | S | M39029/56-352 | MS27490-16 | 16-20 |
| | 20 | 20 | P | M39029/58-363 | MS27493-20 | 20-24 |
| | 20 | 20 | S | M39029/56-351 | MS27490-20 | 20-24 |
| | 22 | 22 | P | M39029/58-362 | MS27493-22 | 22-26 |
| | 22 | 22 | S | M39029/56-350 | MS27490-22 | 22-26 |
| | 22 | 22M | P | M39029/58-361 | MS27493-22M | 24-28 |
| | 22 | 22M | S | M39029/56-349 | MS27490-22M | 24-28 |
| | 22 | 22D | P | M39029/58-360 | MS27493-22D | 22-28 |
| | 22 | 22D | S | M39029/56-348 | MS27490-22D | 22-28 |
| | 10 | 10 | P | M39029/58-528 | — | 10 |
| | 10 | 10 | S | M39029/56-527 | — | 10 |

| TOOL SELECTION | | CRIMP TOOL AND ACCESSORY | | | | | ASSEMBLY TOOLS | |
|----------------|---------------------|--------------------------|------|-------|------------|------------|----------------|------------|
| BIN* | COLOR | AF8 | AFM8 | MH860 | WA23 (POS) | WA23 (DIE) | INSTALLING | REMOVAL |
| 365 | ORANGE-BLUE-GREEN | TH163 | | | | | DAK95-12B | DRK95-12B |
| 353 | ORANGE-GREEN-ORANGE | TH163 | | | | | DAK95-12B | DRK95-12B |
| 364 | ORANGE-BLUE-YELLOW | TH163 | | 86-3 | | | DAK95-16B | DRK95-16B |
| 352 | ORANGE-GREEN-RED | TH163 | | 86-3 | | | DAK95-16B | DRK95-16B |
| 363 | ORANGE-BLUE-ORANGE | TH163 | K43 | 86-7 | | | DAK95-20B | DRK95-20B |
| 351 | ORANGE-GREEN-BROWN | TH163 | K43 | 86-7 | | | DAK95-20B | DRK95-20B |
| 362 | ORANGE-BLUE-RED | | K42 | 86-6 | | | DAK95-22B | DRK95-22B |
| 350 | ORANGE-GREEN-BLACK | | K40 | 86-4 | | | DAK95-22B | DRK95-22B |
| 361 | ORANGE-BLUE-BROWN | | K42 | 86-6 | | | DAK95-22MB | DRK95-22MB |
| 349 | ORANGE-YELLOW-WHITE | | K40 | 86-4 | | | DAK95-22MB | DRK95-22MB |
| 360 | ORANGE-BLUE-BLACK | | K42 | 86-6 | | | DAK95-22MB | DRK95-22MB |
| 348 | ORANGE-YELLOW-GRAY | | K40 | 86-4 | | | DAK95-22MB | DRK95-22MB |
| 528 | GREEN-RED-GRAY | 1716P-1 (Complete Tool) | | | | | DAK95-10B | DRK95-10B |
| 527 | GREEN-RED-VIOLET | 1716P-1 (Complete Tool) | | | | | DAK95-10B | DRK95-10B |

* The three number suffix on M39029 series contacts is referred to as a "BIN" code. See page 22 for color stripe association.

Contact M39029/74-423 (Shielded Socket) #12 cavity, solder.

Contact M39029/75-416 to 422 (Shielded Socket) #12 cavity, see page 79.

Contact M39029/76-424 to 427 (Shielded Pin) #16 cavity, see page 79.

Contact M39029/77-428 to 432 (Shielded Socket) #16 cavity, see page 79.

Contact M39029/78-433 to 425 (Shielded Socket) #16 cavity, see page 79.

Contact M39029/87 is a Thermocouple.

Contact M39029/88 is a Thermocouple.

Contact M39029/90, 91, 113 and 114, see MIL-STD-1760 on page 37.

Contact M39029/102 (Coaxial Pin) Size 12.

Contact M39029/103 (Coaxial Socket) Size 12.

Contact M39029/118 and 119 High Heat/Vibration Engine Applications.

DMC does NOT provide connectors, contacts, or wiring components. Parts are shown here for reference only.

MIL-STD-1760 (MIL-PRF-38999 SERIES III VARIATION)



MIL-STD 1760 provides a common, cross platform, mechanical, electrical, and digital interface between weapons/external equipment stores and aircraft. The standard MIL-STD-1760 connector is used to transfer guidance information to weapons. The standard Connector for MIL-STD-1760 is D38999 Series III (Reference MIL-DTL-83538) Insert Arrangement #25-20. Lanyard Release Plug (/31), and Jam Nut or Flange Mount Receptacles (Also Rail Launch Configuration is available).

For Backshell Torquing Tools, see page 65.

| POWER CONTACTS | | | | | | |
|---------------------|------|------|------------|----------------|-----------------|---------------|
| CONTACT PART NUMBER | TYPE | SIZE | CRIMP TOOL | POSITIONER | INSERTION TOOL* | REMOVAL TOOL* |
| M39029/58-363 | Pin | 20 | AFM8 | K43 | DAK264-20 | DRK264-20 |
| M39029/56-351 | Soc | 20 | AFM8 | K43 | DAK264-20 | DRK264-20 |
| M39029/58-364 | Pin | 16 | AF8 | TH163 | DAK264-16 | DRK264-16 |
| M39029/56-352 | Soc | 16 | AF8 | TH163 | DAK264-16 | DRK264-16 |
| M39029/58-365 | Pin | 12 | AF8 | TH163 | DAK264-12 | DRK264-12 |
| M39029/56-353 | Soc | 12 | AF8 | TH163 | DAK264-12 | DRK264-12 |
| M39029/58-528 | Pin | 10 | 1716P-1 | N/A (Included) | DAK264-10 | DRK264-10 |
| M39029/56-527 | Soc | 10 | 1716P-1 | N/A (Included) | DAK264-10 | DRK264-10 |

| COAXIAL CONTACTS | | | | | | | | |
|---------------------|------|------|-------------------------------|------|-------------------------------|--------|-----------------|---------------|
| CONTACT PART NUMBER | TYPE | SIZE | INNER CRIMP TOOL & POSITIONER | | OUTER CRIMP TOOL & POSITIONER | | INSERTION TOOL* | REMOVAL TOOL* |
| M39029/28-211 | PIN | 12 | AFM8 | K323 | GS200-1 | G2P330 | DAK264-12 | DRK264-12 |
| M39029/75-416 | Soc | 12 | AFM8 | K323 | GS200-1 | G2P330 | DAK264-12 | DRK264-12 |
| M39029/28-409 | Pin | 12 | AFM8 | K323 | GS200-1 | G2P330 | DAK264-12 | DRK264-12 |
| M39029/75-417 | Soc | 12 | AFM8 | K323 | GS200-1 | G2P330 | DAK264-12 | DRK264-12 |

* Insertion and Removal of Contacts in MIL-STD-1760 Applications require straight tools due to the restricted access of Lanyard Release Connectors. DAK264-XX Tweezer Type Tools have the same Tip configuration as the corresponding M81969/8-XXX Tools assigned to normal Contact Insertion and Removal operations in D38999, Series III Connectors.

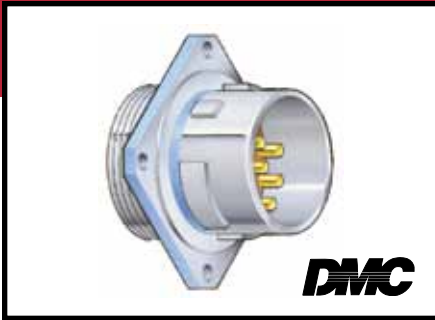
| DATA BUS (CONCENTRIC TWINAX) CONTACTS | | | | | | | |
|--|------|------|-------------------------------|------|---|-----------------|-----------------|
| CONTACT PART NUMBER | TYPE | SIZE | INNER CRIMP TOOL & POSITIONER | | INTERMEDIATE AND OUTER CRIMP TOOL & DIE | | |
| M39029/113-625** | Pin | 8 | AFM8 | K709 | HX4 | Y631 Cir/Indent | Y631 Hex Cavity |
| M39029/114-628*** | Soc | 8 | AFM8 | K709 | HX4 | Y631 Cir/Indent | Y631 Hex Cavity |
| All Size 8 Data Bus Contacts can be inserted with the DAK264-8 and Removed with DRK264-8 Straight Metal Tools (Tweezer Type) | | | | | | | |
| **Supersedes M39029/90-529, ***Supersedes M39029/91-530 | | | | | | | |

| DATA BUS (CONCENTRIC TWINAX) CONTACTS - ALTERNATE DESIGN MIL-STD-1760E | | | | | | | |
|--|------|------|-------------------------------|--------|---|-------|--|
| CONTACT PART NUMBER | TYPE | SIZE | INNER CRIMP TOOL & POSITIONER | | INTERMEDIATE AND OUTER CRIMP TOOL & DIE | | |
| M39029/113-626 | Pin | 8 | AFM8 | K330-4 | HX4 | Y1064 | |
| M39029/114-629 | Soc | 8 | AFM8 | K330-4 | HX4 | Y1064 | |
| All Size 8 Data Bus Contacts can be inserted with the DAK264-8 and Removed with DRK264-8 Straight Metal Tools (Tweezer Type) | | | | | | | |

Tool Kits are available for complete MIL-STD 1760 Wiring Support. Contact DMC for Details
Lanyard Repair Tools and Components are available from DMC. Contact Customer Service for details.

DMC does NOT provide connectors, contacts, or wiring components. Parts are shown here for reference only.

MIL-PRF-38999 SERIES 4



BREECH LOCK COUPLING CIRCULAR REAR RELEASE CONTACTS

For Backshell Torquing Tools, see page 65.

| CONNECTOR P/N | DESCRIPTION | QPL SOURCES |
|---------------|------------------------------|---------------------------|
| D38999/40 | WALL MOUNT FLANGE RECEPTACLE | DEUTSCH G&H TECHNOLOGY |
| D38999/42 | BOX MOUNT FLANGE RECEPTACLE | |
| D38999/44 | JAM NUT MOUNT RECEPTACLE | |
| D38999/46 | STRAIGHT PLUG | |
| D38999/47 | STRAIGHT PLUG | |
| D38999/47 | CABLE MOUNT RECEPTACLE | |

| CONTACTS | SIZE (AWG) | | PIN/SOC. | PART NUMBER* (CURRENT) | PART NUMBER (SUPERSEDED) | WIRE RANGE |
|----------------------------------|---------------|----------------|----------|---------------------------|-----------------------------|---------------|
| | MATING END | WIRE BARREL | | | | |
| | 12 | 12 | P | M39029/58-365 | MS27493-12 | 12-14 |
| | 12 | 12 | S | M39029/56-353 | MS27490-12 | 12-14 |
| | 16 | 16 | P | M39029/58-364 | MS27493-16 | 16-20 |
| | 16 | 16 | S | M39029/56-352 | MS27490-16 | 16-20 |
| | 20 | 20 | P | M39029/58-363 | MS27493-20 | 20-24 |
| | 20 | 20 | S | M39029/56-351 | MS27490-20 | 20-24 |
| | 22 | 22 | P | M39029/58-362 | MS27493-22 | 22-26 |
| | 22 | 22 | S | M39029/56-350 | MS27490-22 | 22-26 |
| | 22 | 22M | P | M39029/58-361 | MS27493-22M | 24-28 |
| | 22 | 22M | S | M39029/56-349 | MS27490-22M | 24-28 |
| TYPICAL CONTACT CONFIGURATION | 22 | 22D | P | M39029/58-360 | MS27493-22D | 22-28 |
| | 22 | 22D | S | M39029/56-348 | MS27490-22D | 22-28 |

| TOOL SELECTION | | CRIMP TOOL AND ACCESSORY | | | | | ASSEMBLY TOOLS | |
|----------------|--|--------------------------|------------|--------------|---------------|---------------|--------------------------|--------------------------|
| BIN* | COLOR | AF8 | AFM8 | MH860 | WA23 (POS) | WA23 (DIE) | INSTALLING | REMOVAL |
| 365 353 | ORANGE-BLUE-GREEN ORANGE-GREEN-ORANGE | TH163 TH163 | | | | | DAK95-12B DAK95-12B | DRK95-12B DRK95-12B |
| 364 352 | ORANGE-BLUE-YELLOW ORANGE-GREEN-RED | TH163 TH163 | | 86-3 86-3 | | | DAK95-16B DAK95-16B | DRK95-16B DRK95-16B |
| 363 351 | ORANGE-BLUE-ORANGE ORANGE-GREEN-BROWN | TH163 TH163 | K43 K43 | 86-7 86-7 | | | DAK95-20B DAK95-20B | DRK95-20B DRK95-20B |
| 362 350 | ORANGE-BLUE-RED ORANGE-GREEN-BLACK | | K42 K40 | 86-6 86-4 | | | DAK95-22B DAK95-22B | DRK95-22B DRK95-22B |
| 361 349 | ORANGE-BLUE-BROWN ORANGE-YELLOW-WHITE | | K42 K40 | 86-6 86-4 | | | DAK95-22MB DAK95-22MB | DRK95-22MB DRK95-22MB |
| 360 348 | ORANGE-BLUE-BLACK ORANGE-YELLOW-GRAY | | K42 K40 | 86-6 86-4 | | | DAK95-22MB DAK95-22MB | DRK95-22MB DRK95-22MB |

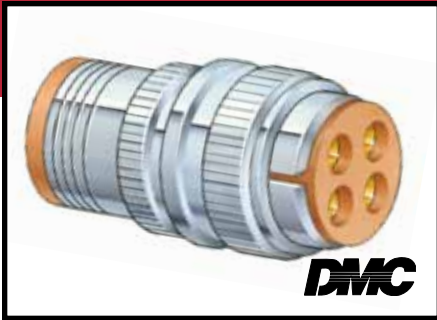
*The three number suffix on M39029 series contacts is referred to as a "BIN" code. See page 22 for color stripe association.

Contact M39029/74-423 (Shielded Socket) #12 cavity, solder.
 Contact M39029/75-416 to 422 (Shielded Socket) #12 cavity, see page 79.
 Contact M39029/76-424 to 427 (Shielded Pin) #16 cavity, see page 79.
 Contact M39029/77-428 to 432 (Shielded Socket) #16 cavity, see page 79.
 Contact M39029/78-433 to 425 (Shielded Socket) #16 cavity, see page 79.

Contact M39029/87 is a Thermocouple.
 Contact M39029/88 is a Thermocouple.
 Contact M39029/102 (Coaxial Pin) Size 12.
 Contact M39029/103 (Coaxial Socket) Size 12.

DMC does NOT provide connectors, contacts, or wiring components. Parts are shown here for reference only.

AS50151 (FORMERLY MIL-C-5015) SERIES 3400



CIRCULAR THREADED COUPLING FRONT RELEASE CONTACTS

For Backshell Torquing Tools, see page 65.

| CONNECTOR P/N | DESCRIPTION | QPL SOURCES |
|---------------|---------------------------------|---|
| MS3400 | WALL MOUNT RECEPTACLE | AERO-ELECTRIC CONNECTORS J-TECH, INC. ELECSYS, INC. |
| MS3401 | CABLE CONNECTING RECEPTACLE | |
| MS3402 | BOX MOUNT RECEPTACLE | |
| MS3404 | JAM NUT MOUNT RECEPTACLE | |
| MS3406 | STRAIGHT PLUG | |
| MS3408 | PLUG 90° | |
| MS3409 | PLUG 45° | |
| MS3412 | WALL MOUNT RECEPTACLE (AN TYPE) | |

| CONTACTS | SIZE (AWG) | | PIN/SOC. | PART NUMBER* (CURRENT) | PART NUMBER (SUPERSEDED) | WIRE RANGE | |
|----------|-------------------------------|-------------|----------|---------------------------|-----------------------------|---------------|-------|
| | MATING END | WIRE BARREL | | | | | |
| | 0 | 0 | P | M39029/44-293 | MS90453-0-0 | 0-2**** | |
| | 0 | 0 | S | M39029/45-300 | MS90454-0-0 | 0-2**** | |
| | 4 | 4 | P | M39029/44-292 | MS90453-4-0 | 4-6**** | |
| | 4 | 4 | S | M39029/45-299 | MS90454-4-0 | 4-6**** | |
| | 8 | 8 | P | M39029/44-291 | MS90453-8-0 | 8-10**** | |
| | 8 | 8 | S | M39029/45-298 | MS90454-8-0 | 8-10**** | |
| | 12 | 12 | P | M39029/44-290 | MS90453-12-12 | 12-14 | |
| | 12 | 12 | S | M39029/45-297 | MS90454-12-12 | 12-14 | |
| | 12 | 16 | P | M39029/44-289 | MS90453-12-16 | 16-20 | |
| | 12 | 16 | S | M39029/45-296 | MS90454-12-16 | 16-20 | |
| | TYPICAL CONTACT CONFIGURATION | 16 | 16 | P | M39029/44-288 | MS90453-16-16 | 16-20 |
| | | 16 | 16 | S | M39029/45-295 | MS90454-16-16 | 16-20 |
| | | 16 | 22 | P | M39029/44-287 | MS90453-16-22 | 22-26 |
| | | 16 | 22 | S | M39029/45-294 | MS90454-16-22 | 22-26 |

****When using the smaller wire range, a contact bushing (also called a "crimp barrel adaptor sleeve") is required (reference AS39029/112).

| TOOL SELECTION | | CRIMP TOOL AND ACCESSORY | | | | | ASSEMBLY TOOLS | |
|----------------|--|--------------------------|------|--------------|--------------------|------------------|------------------------------|------------------------------|
| BIN* | COLOR | AF8 | AFM8 | MH860 | WA23 (POS) | WA23 (DIE) | INSTALLING | REMOVAL |
| 293 300 | RED-WHITE-ORANGE ORANGE-BLACK-BLACK | | | | WA23-13 WA23-13 | WA23-5 WA23-5 | DAK55-0B DAK55-0B | DRK56-0B DRK56-0B |
| 292 299 | RED-WHITE-RED RED-WHITE-WHITE | | | | WA23-11 WA23-11 | WA23-4 WA23-4 | DAK55-4B DAK55-4B | DRK56-4B DRK56-4B |
| 291 298 | RED-WHITE-BROWN RED-WHITE-GRAY | | | | WA23-9 WA23-9 | WA23-2 WA23-2 | DAK55-8B DAK55-8B | DRK56-8B DRK56-8B |
| 290 297 | RED-WHITE-BLACK RED-WHITE-VIOLET | TH1A** TH1A** | | | | | DAK55-12A** DAK55-12A** | DRK56-12A** DRK56-12A** |
| 289 296 | RED-GRAY-WHITE RED-WHITE-BLUE | TH1A** TH1A** | | | | | DAK55-12A** DAK55-12A** | DRK56-12A** DRK56-12A** |
| 288 295 | RED-GRAY-GRAY RED-WHITE-GREEN | TH1A*** TH1A*** | | 86-2 86-2 | | | DAK55-16A*** DAK55-16A*** | DRK56-16A*** DRK56-16A*** |
| 287 294 | RED-GRAY-VIOLET RED-WHITE-YELLOW | TH1A*** TH1A*** | | 86-2 86-2 | | | DAK55-16A*** DAK55-16A*** | DRK56-16A*** DRK56-16A*** |

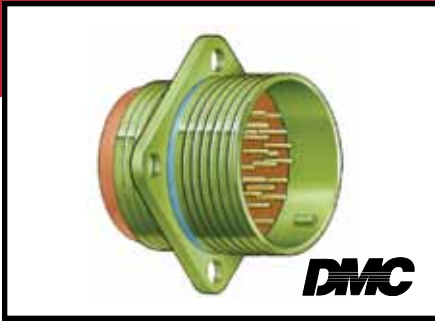
*The three number suffix on M39029 series contacts is referred to as a "BIN" code. See page 22 for color stripe association.

** For #12 VG95234 Contacts use the AF8 Hand Tool with the TH452 Accessory for crimping, the DAK31 Installing Tool, and the DRK152 Removal Tool.

*** For #16 VG95234 Contacts use the AF8 Hand Tool with the TH452 Accessory for crimping, the DAK32 Installing Tool, and the DRK32 Removal Tool.

DMC does NOT provide connectors, contacts, or wiring components. Parts are shown here for reference only.

AS50151 (FORMERLY MIL-C-5015) SERIES 3450



CIRCULAR THREADED COUPLING REAR RELEASE CONTACTS

For Backshell Torquing Tools, see page 65.

| CONNECTOR P/N | DESCRIPTION | QPL SOURCES |
|---------------|-----------------------------|--|
| MS3450 | WALL MOUNT RECEPTACLE | AERO-ELECTRIC CONNECTORS ITT CANNON J-TECH, INC. AMPHENOL CONNECTORS ELECSYS, INC. |
| MS3451 | CABLE CONNECTING RECEPTACLE | |
| MS3452 | BOX MOUNT RECEPTACLE | |
| MS3454 | JAM NUT MOUNT RECEPTACLE | |
| MS3456 | STRAIGHT PLUG | |
| MS3459 | SELF-LOCK COUPLING PLUG | |

| CONTACTS | SIZE (AWG) | | PIN/SOC. | PART NUMBER* (CURRENT) | PART NUMBER (SUPERSEDED) | WIRE RANGE |
|----------------------------------|---------------|----------------|----------|---------------------------|------------------------------------|---------------|
| | MATING END | WIRE BARREL | | | | |
| | 12 | 12 | P | M39029/29-213 — | M39029/29-12-12 or MS3162-12-12 | 12-14 |
| | 12 | 12 | S | M39029/30-219 — | M39029/30-12-12 or MS3163-12-12 | 12-14 |
| | 16 | 16 | P | M39029/29-212 — | M39029/29-16-16 or MS3162-16-16 | 16-20 |
| | 16 | 16 | S | M39029/30-218 — | M39029/30-16-16 or MS3163-16-16 | 16-20 |
| TYPICAL CONTACT CONFIGURATION | 8 | 8 | P | M39029/29-214 | M39029/29-8-8 | 8 |
| | 8 | 8 | S | M39029/30-220 | M39029/30-8-8 | 8 |
| | 4 | 4 | P | M39029/29-215 | M39029/29-4-4 | 4 |
| | 4 | 4 | S | M39029/30-221 | M39029/30-4-4 | 4 |
| | 0 | 0 | P | M39029/29-216 | M39029/29-0-0 | 0 |
| | 0 | 0 | S | M39029/30-222 | M39029/30-0-0 | 0 |

| TOOL SELECTION | | CRIMP TOOL AND ACCESSORY | | | | | ASSEMBLY TOOLS | |
|----------------|-----------------------------------|--------------------------|------|-------|--------------------|------------------|--------------------|--|
| BIN* | COLOR | AF8 | AFM8 | MH860 | WA23 (POS) | WA23 (DIE) | INSTALLING | REMOVAL |
| 213 | RED-BROWN-ORANGE | TH1A | | | | | DAK83-12B | DRK83-12B |
| 219 | RED-BROWN-WHITE | TH1A | | | | | DAK83-12B | DRK83-12B |
| 212 — | RED-BROWN-RED | TH1A | | 86-2 | | | DAK83-16B | DRK83-16B |
| 218 — | RED-BROWN-GRAY | TH1A | | 86-2 | | | DAK83-16B | DRK83-16B |
| 214 220 | RED-BROWN-YELLOW RED-RED-BLACK | | | | WA23-9 WA23-9 | WA23-2 WA23-2 | BY HAND BY HAND | DRK250-8 OR M81969/14-06 DRK250-8 OR M81969/14-06 |
| 215 221 | RED-BROWN-GREEN RED-RED-BROWN | | | | WA23-11 WA23-11 | WA23-4 WA23-4 | BY HAND BY HAND | DRK250-4 OR M81969/14-07 DRK250-4 OR M81969/14-07 |
| 216 222 | RED-BROWN-BLUE RED-RED-RED | | | | WA23-13 WA23-13 | WA23-5 WA23-5 | BY HAND BY HAND | DRK250-0 OR M81969/14-08 DRK250-0 OR M81969/14-08 |

*The three number suffix on M39029 series contacts is referred to as a "BIN" code. See page 22 for color stripe association.

Contact M39029/86 is a Thermocouple.

DMC does NOT provide connectors, contacts, or wiring components. Parts are shown here for reference only.

MIL-C-81511 SERIES 1



SCOOP PROOF – CIRCULAR BAYONET COUPLING FRONT RELEASE CONTACTS

For Backshell Torquing Tools, see page 65.

| CONNECTOR P/N | DESCRIPTION | QPL SOURCES |
|-----------------|-----------------------------|-------------|
| M81511/21 & /35 | FLANGE MOUNT RECEPTACLE | AMPHENOL |
| M81511/23 & /36 | JAM NUT RECEPTACLE | |
| M81511/25 & /37 | CABLE CONNECTING RECEPTACLE | |
| M81511/26 & /38 | STRAIGHT PLUG | |

| CONTACTS | SIZE (AWG) | | PIN/SOC. | PART NUMBER* (CURRENT) | PART NUMBER (SUPERSEDED) | WIRE RANGE |
|-------------------------------|------------|-------------|----------|---------------------------|-----------------------------|------------|
| | MATING END | WIRE BARREL | | | | |
| | 12 | 12 | P | M39029/47-338 | MS90461A12-12 | 12-14 |
| | 12 | 12 | P | M39029/47-339 | or MS90461B12-12 | 12-14 |
| | 12 | 12 | S | M39029/33-269 | MS3343A12-12 | 12-14 |
| | 12 | 12 | S | M39029/33-270 | or MS3343B12-12 | 12-14 |
| | 16 | 16 | P | M39029/47-336 | MS90461A16-16 | 16-20 |
| | 16 | 16 | P | M39029/47-337 | or MS90461B16-16 | 16-20 |
| | 16 | 16 | S | M39029/33-267 | MS3343A16-16 | 16-20 |
| | 16 | 16 | S | M39029/33-268 | or MS3343B16-16 | 16-20 |
| | 20 | 20 | P | M39029/47-315 | MS90461A20-20 | 20-24 |
| | 20 | 20 | P | M39029/47-316 | or MS90461B20-20 | 20-24 |
| | 20 | 20 | S | M39029/33-265 | MS3343A20-20 | 20-24 |
| | 20 | 20 | S | M39029/33-266 | or MS3343B20-20 | 20-24 |
| | 23 | 22 | P | M39029/47-313 | MS90461A23-22 | 22-26 |
| | 23 | 22 | P | M39029/47-314 | or MS90461B23-22 | 22-26 |
| TYPICAL CONTACT CONFIGURATION | 23 | 22 | S | M39029/33-263 | MS3343A23-22 | 22-26 |
| | 23 | 22 | S | M39029/33-264 | or MS3343B23-22 | 22-26 |
| | 23 | 28 | P | M39029/47-311 | MS90461A23-28 | 28-32 |
| | 23 | 28 | P | M39029/47-312 | or MS90461B23-28 | 28-32 |
| | 23 | 28 | S | M39029/33-261 | MS3343A23-28 | 28-32 |
| | 23 | 28 | S | M39029/33-262 | or MS3343B23-28 | 28-32 |

| TOOL SELECTION | | CRIMP TOOL AND ACCESSORY | | | | | ASSEMBLY TOOLS | |
|----------------|----------------------|--------------------------|------|--------|------------|------------|----------------|------------|
| BIN* | COLOR | AF8 | AFM8 | MH860 | WA23 (POS) | WA23 (DIE) | INSTALLING | REMOVAL |
| 338 | ORANGE-ORANGE-GRAY | TH199S | | | | | DAK126-12A | DRK125-12A |
| 339 | ORANGE-ORANGE-WHITE | TH199S | | | | | DAK126-12A | DRK125-12A |
| 269 | RED-BLUE-WHITE | TH199S | | | | | DAK126-12A | DRK125-12A |
| 270 | RED-VIOLET-BLACK | TH199S | | | | | DAK126-12A | DRK125-12A |
| 336 | ORANGE-ORANGE-BLUE | TH199S | | 86-12S | | | DAK126-16A | DRK125-16A |
| 337 | ORANGE-ORANGE-VIOLET | TH199S | | 86-12S | | | DAK126-16A | DRK125-16A |
| 267 | RED-BLUE-VIOLET | TH199S | | 86-12S | | | DAK126-16A | DRK125-16A |
| 268 | RED-BLUE-GRAY | TH199S | | 86-12S | | | DAK126-16A | DRK125-16A |
| 315 | ORANGE-BROWN-GREEN | TH199S | | 86-11S | | | DAK126-20A | DRK125-20A |
| 316 | ORANGE-BROWN-BLUE | TH199S | | 86-11S | | | DAK126-20A | DRK125-20A |
| 265 | RED-BLUE-GREEN | TH199S | | 86-11S | | | DAK126-20A | DRK125-20A |
| 266 | RED-BLUE-BLUE | TH199S | | 86-11S | | | DAK126-20A | DRK125-20A |
| 313 | ORANGE-BROWN-ORANGE | | K60S | | | | DAK126-23A | DRK125-23A |
| 314 | ORANGE-BROWN-YELLOW | | K60S | | | | DAK126-23A | DRK125-23A |
| 263 | RED-BLUE-ORANGE | | K60S | | | | DAK126-23A | DRK125-23A |
| 264 | RED-BLUE-YELLOW | | K60S | | | | DAK126-23A | DRK125-23A |
| 311 | ORANGE-BROWN-BROWN | | K60S | | | | DAK126-23A | DRK125-23A |
| 312 | ORANGE-BROWN-RED | | K60S | | | | DAK126-23A | DRK125-23A |
| 261 | RED-BLUE-BROWN | | K60S | | | | DAK126-23A | DRK125-23A |
| 262 | RED-BLUE-RED | | K60S | | | | DAK126-23A | DRK125-23A |

Contact M39029/6-125 (Shielded Pin) #12 cavity, see page 78.
 Contact M39029/13-152 (Shielded Socket) #16 cavity, see page 78.
 Contact M39029/13-153 to 157 (Shielded Socket) #12 cavity, see page 78.
 Contact M39029/14-159 (Shielded Socket) #16 cavity, see page 78.
 Contact M39029/14-160 to 163 (Shielded Socket) #12 cavity, see page 78.

DMC does NOT provide connectors, contacts, or wiring components. Parts are shown here for reference only.

MIL-C-81511 SERIES 2



**50% SCOOP PROOF – CIRCULAR
BAYONET COUPLING
FRONT RELEASE CONTACTS**

For Backshell Torquing Tools, see page 65.

| CONNECTOR P/N | DESCRIPTION | QPL SOURCES |
|----------------|-----------------------------|-------------|
| M81511/1 & /31 | FLANGE MOUNT RECEPTACLE | AMPHENOL |
| M81511/3 & /32 | JAM NUT MOUNT RECEPTACLE | |
| M81511/5 & /33 | CABLE CONNECTING RECEPTACLE | |
| M81511/6 & /34 | STRAIGHT PLUG | |

| CONTACTS | SIZE (AWG) | | PIN/SOC. | PART NUMBER* (CURRENT) | PART NUMBER (SUPERSEDED) | WIRE RANGE |
|--------------------------------------|------------|-------------|----------|---------------------------|-----------------------------|------------|
| | MATING END | WIRE BARREL | | | | |
| | 12 | 12 | P | M39029/47-338 | MS90461A12-12 | 12-14 |
| | 12 | 12 | P | M39029/47-339 | or MS90461A12-12 | 12-14 |
| | 12 | 12 | S | M39029/46-309 | MS90460A12-12 | 12-14 |
| | 12 | 12 | S | M39029/46-310 | or MS90460B12-12 | 12-14 |
| | 16 | 16 | P | M39029/47-336 | MS90461A16-16 | 16-20 |
| | 16 | 16 | P | M39029/47-337 | or MS90461B16-16 | 16-20 |
| | 16 | 16 | S | M39029/46-307 | MS90460A16-16 | 16-20 |
| | 16 | 16 | S | M39029/46-308 | or MS90460B16-16 | 16-20 |
| | 20 | 20 | P | M39029/47-315 | MS90461A20-20 | 20-24 |
| | 20 | 20 | P | M39029/47-316 | or MS90461B20-20 | 20-24 |
| | 20 | 20 | S | M39029/46-305 | MS90460A20-20 | 20-24 |
| | 20 | 20 | S | M39029/46-306 | or MS90460B20-20 | 20-24 |
| | 23 | 22 | P | M39029/47-313 | MS90461A23-22 | 22-26 |
| | 23 | 22 | P | M39029/47-314 | or MS90461B23-22 | 22-26 |
| TYPICAL CONTACT CONFIGURATION | 23 | 22 | S | M39029/46-303 | MS90460A23-22 | 22-26 |
| | 23 | 22 | S | M39029/46-304 | or MS90460B23-22 | 22-26 |
| | 23 | 28 | P | M39029/47-311 | MS90461A23-28 | 28-32 |
| | 23 | 28 | P | M39029/47-312 | or MS90461B23-28 | 28-32 |
| | 23 | 28 | S | M39029/46-301 | MS90460A23-28 | 28-32 |
| | 23 | 28 | S | M39029/46-302 | or MS90460B23-28 | 28-32 |

| TOOL SELECTION | | CRIMP TOOL AND ACCESSORY | | | | | ASSEMBLY TOOLS | |
|----------------|----------------------|--------------------------|------|--------|------------|------------|----------------|------------|
| BIN* | COLOR | AF8 | AFM8 | MH860 | WA23 (POS) | WA23 (DIE) | INSTALLING | REMOVAL |
| 338 | ORANGE-ORANGE-GRAY | TH199S | | | | | DAK126-12A | DRK125-12A |
| 339 | ORANGE-ORANGE-WHITE | TH199S | | | | | DAK126-12A | DRK125-12A |
| 309 | ORANGE-BLACK-WHITE | TH199S | | | | | DAK126-12A | DRK129-12A |
| 310 | ORANGE-BROWN-BLACK | TH199S | | | | | DAK126-12A | DRK129-12A |
| 336 | ORANGE-ORANGE-BLUE | TH199S | | 86-12S | | | DAK126-16A | DRK125-16A |
| 337 | ORANGE-ORANGE-VIOLET | TH199S | | 86-12S | | | DAK126-16A | DRK125-16A |
| 307 | ORANGE-BLACK-VIOLET | TH199S | | 86-12S | | | DAK126-16A | DRK129-16A |
| 308 | ORANGE-BLACK-GRAY | TH199S | | 86-12S | | | DAK126-16A | DRK129-16A |
| 315 | ORANGE-BROWN-GREEN | TH199S | | 86-11S | | | DAK126-20A | DRK125-20A |
| 316 | ORANGE-BROWN-BLUE | TH199S | | 86-11S | | | DAK126-20A | DRK125-20A |
| 305 | ORANGE-BLACK-GREEN | TH199S | | 86-11S | | | DAK126-20A | DRK129-20A |
| 306 | ORANGE-BLACK-BLUE | TH199S | | 86-11S | | | DAK126-20A | DRK129-20A |
| 313 | ORANGE-BROWN-ORANGE | | K60S | | | | DAK126-23A | DRK125-23A |
| 314 | ORANGE-BROWN-YELLOW | | K60S | | | | DAK126-23A | DRK125-23A |
| 302 | ORANGE-BLACK-RED | | K60S | | | | DAK126-23A | DRK129-23A |
| 304 | ORANGE-BLACK-YELLOW | | K60S | | | | DAK126-23A | DRK129-23A |
| 311 | ORANGE-BROWN-BROWN | | K60S | | | | DAK126-23A | DRK125-23A |
| 312 | ORANGE-BROWN-RED | | K60S | | | | DAK126-23A | DRK125-23A |
| 301 | ORANGE-BLACK-BROWN | | K60S | | | | DAK126-23A | DRK129-23A |
| 302 | ORANGE-BLACK-RED | | K60S | | | | DAK126-23A | DRK129-23A |

Contact M39029/6-125 (Shielded Pin) #12 cavity, see page 78.

DMC does NOT provide connectors, contacts, or wiring components. Parts are shown here for reference only.

MIL-C-81511 SERIES 3



SCOOP PROOF – CIRCULAR BAYONET COUPLING REAR RELEASE CONTACTS

For Backshell Torquing Tools, see page 65.

| CONNECTOR P/N | DESCRIPTION | QPL SOURCES |
|---------------|-----------------------------|-------------|
| M81511/41 | FLANGE MOUNT RECEPTACLE | DEUTSCH |
| M81511/45 | CABLE CONNECTING RECEPTACLE | |
| M81511/46 | STRAIGHT PLUG | |
| M81511/49 | JAM NUT MOUNT RECEPTACLE | |

| CONTACTS | SIZE (AWG) | | PIN/SOC. | PART NUMBER* (CURRENT) | PART NUMBER (SUPERSEDED) | WIRE RANGE |
|-------------------------------|------------|-------------|----------|---------------------------|-----------------------------|------------|
| | MATING END | WIRE BARREL | | | | |
| | 12 | 12 | P | M39029/18-180 | M39029/18-12-12 | 12-14 |
| | 12 | 12 | S | M39029/17-175 | M39029/17-12-12 | 12-14 |
| | 16 | 16 | P | M39029/18-179 | M39029/18-16-16 | 16-20 |
| | 16 | 16 | S | M39029/17-174 | M39029/17-16-16 | 16-20 |
| | 16 | 16 | S | M39029/22-193 | M39029/22-16-16 | 16-20 |
| | 20 | 20 | P | M39029/18-178 | M39029/18-20-20 | 16-20 |
| | 20 | 20 | S | M39029/17-173 | M39029/17-20-20 | 20-24 |
| | 20 | 20 | S | M39029/22-192 | M39029/22-20-20 | 20-24 |
| | 22 | 22 | S | M39029/22-191 | M39029/22-22-22 | 22-28 |
| | 22 | 28 | S | M39029/22-190 | M39029/22-22-28 | 28-32 |
| TYPICAL CONTACT CONFIGURATION | 23 | 22 | P | M39029/18-177 | M39029/18-23-22 | 22-28 |
| | 23 | 22 | S | M39029/17-172 | M39029/17-23-22 | 22-28 |
| | 23 | 28 | P | M39029/18-176 | M39029/18-23-28 | 28-32 |
| | 23 | 28 | S | M39029/17-171 | M39029/17-23-28 | 28-32 |

| TOOL SELECTION | | CRIMP TOOL AND ACCESSORY | | | | | ASSEMBLY TOOLS | |
|----------------|---------------------|--------------------------|--------|-------|------------|------------|----------------|--------------|
| BIN* | COLOR | AF8 | AFM8 | MH860 | WA23 (POS) | WA23 (DIE) | INSTALLING | REMOVAL |
| 180 | BROWN-GRAY-BLACK | TP360 | | | | | M81969/16-03 | M81969/16-03 |
| 175 | BROWN-VIOLET-GREEN | TP365 | | | | | M81969/16-03 | M81969/16-03 |
| 179 | BROWN-VIOLET-WHITE | | K341 | 86-2 | | | M81969/16-02 | M81969/16-02 |
| 174 | BROWN-VIOLET-YELLOW | | K343 | 86-2 | | | M81969/16-02 | M81969/16-02 |
| 193 | BROWN-WHITE-ORANGE | TH343 | | 86-21 | | | M81969/16-02 | M81969/16-02 |
| 178 | BROWN-VIOLET-GRAY | | K340 | 86-1S | | | M81969/16-01 | M81969/16-01 |
| 173 | BROWN-VIOLET-ORANGE | TH343 | K342 | 86-1S | | | M81969/16-01 | M81969/16-01 |
| 192 | BROWN-WHITE-RED | | K503 | 86-20 | | | M81969/16-01 | M81969/16-01 |
| 191 | BROWN-WHITE-BROWN | | K330-3 | 86-19 | | | M81969/16-04 | M81969/16-04 |
| 190 | BROWN-WHITE-BLACK | | K330-3 | 86-19 | | | M81969/16-04 | M81969/16-04 |
| 177 | BROWN-VIOLET-VIOLET | | K338 | | | | M81969/16-04 | M81969/16-04 |
| 172 | BROWN-VIOLET-RED | | K339 | | | | M81969/16-04 | M81969/16-04 |
| 176 | BROWN-VIOLET-BLUE | | K338 | | | | M81969/16-04 | M81969/16-04 |
| 171 | BROWN-VIOLET-BROWN | | K339 | | | | M81969/16-04 | M81969/16-04 |

*The three number suffix on M39029 series contacts is referred to as a "BIN" code. See page 22 for color stripe association.

Contact M39029/19-181 (Shielded Pin) #16 cavity, see page 78.
 Contact M39029/19-182 to 183 (Shielded Pin) #12 cavity, see page 78.
 Contact M39029/20-184 (Shielded Socket) #16 cavity, see page 78.
 Contact M39029/20-185 to 186 (Shielded Socket) #12 cavity, see page 78.

DMC does NOT provide connectors, contacts, or wiring components. Parts are shown here for reference only.

MIL-C-81511 SERIES 4



50% SCOOP PROOF CIRCULAR REAR RELEASE CONTACTS

For Backshell Torquing Tools, see page 65.

| CONNECTOR P/N | DESCRIPTION | QPL SOURCES |
|---------------|-----------------------------|-------------|
| M81511/51 | FLANGE MOUNT RECEPTACLE | DEUTSCH |
| M81511/53 | JAM NUT MOUNT RECEPTACLE | |
| M81511/55 | CABLE CONNECTING RECEPTACLE | |
| M81511/56 | STRAIGHT PLUG | |

| CONTACTS | SIZE (AWG) | | PIN/SOC. | PART NUMBER* (CURRENT) | PART NUMBER (SUPERSEDED) | WIRE RANGE |
|--|---------------|----------------|----------|---------------------------|-----------------------------|---------------|
| | MATING END | WIRE BARREL | | | | |
| TYPICAL CONTACT CONFIGURATION | 12 | 12 | P | M39029/18-180 | M39029/18-12-12 | 12-14 |
| | 12 | 12 | S | M39029/16-170 | M39029/16-12-12 | 12-14 |
| | 16 | 16 | P | M39029/18-179 | M39029/18-16-16 | 16-20 |
| | 16 | 16 | S | M39029/16-169 | M39029/16-16-16 | 16-20 |
| | 16 | 16 | S | M39029/22-193 | M39029/22-16-16 | 16-20 |
| | 20 | 20 | P | M39029/18-178 | M39029/18-20-20 | 20-24 |
| | 20 | 20 | S | M39029/16-168 | M39029/16-20-20 | 20-24 |
| | 20 | 20 | S | M39029/22-192 | M39029/22-20-20 | 20-24 |
| | 22 | 22 | S | M39029/22-191 | M39029/22-22-22 | 22-28 |
| | 22 | 28 | S | M39029/22-190 | M39029/22-22-28 | 28-32 |
| | 23 | 22 | P | M39029/18-177 | M39029/18-23-22 | 22-28 |
| | 23 | 22 | S | M39029/16-167 | M39029/16-23-22 | 22-28 |
| | 23 | 28 | P | M39029/18-176 | M39029/18-23-28 | 28-32 |
| | 23 | 28 | S | M39029/16-166 | M39029/16-23-28 | 28-32 |

| TOOL SELECTION | | CRIMP TOOL AND ACCESSORY | | | | | ASSEMBLY TOOLS | |
|----------------|--|--------------------------|------------------|----------------|---------------|---------------|------------------------------|------------------------------|
| BIN* | COLOR | AF8 | AFM8 | MH860 | WA23 (POS) | WA23 (DIE) | INSTALLING | REMOVAL |
| 180 170 | BROWN-GRAY-BLACK BROWN-VIOLET-BLACK | TP360 TP360 | | | | | M81969/16-03 M81969/16-03 | M81969/16-03 M81969/16-03 |
| 179 169 | BROWN-VIOLET-WHITE BROWN-BLUE-WHITE | | K341 K341 | 86-2 86-2 | | | M81969/16-02 M81969/16-02 | M81969/16-02 M81969/16-02 |
| 193 178 | BROWN-WHITE-ORANGE BROWN-VIOLET-GRAY | TH343 | K340 | 86-21 | | | M81969/16-02 M81969/16-01 | M81969/16-02 M81969/16-01 |
| 168 192 | BROWN-BLUE-GRAY BROWN-WHITE-RED | TH343 | K340 | 86-20 | | | M81969/16-01 M81969/16-01 | M81969/16-01 M81969/16-01 |
| 191 190 | BROWN-WHITE-BROWN BROWN-WHITE-BLACK | | K330-3 K330-3 | 86-19 86-19 | | | M81969/16-04 M81969/16-04 | M81969/16-04 M81969/16-04 |
| 177 167 | BROWN-VIOLET-VIOLET BROWN-BLUE-VIOLET | | K338 K338 | | | | M81969/16-04 M81969/16-04 | M81969/16-04 M81969/16-04 |
| 176 166 | BROWN-VIOLET-BLUE BROWN-BLUE-BLUE | | K338 K338 | | | | M81969/16-04 M81969/16-04 | M81969/16-04 M81969/16-04 |

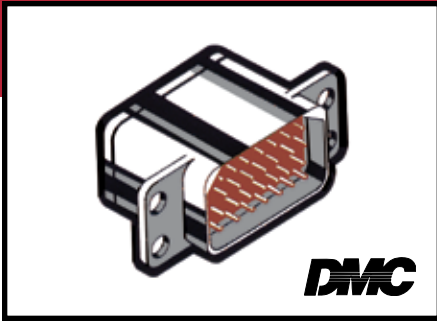
*The three number suffix on M39029 series contacts is referred to as a "BIN" code. See page 22 for color stripe association.

Contact M39029/21-187 (Shielded Socket) #16 cavity, see page 78.

Contact M39029/21-188 to 189 (Shielded Socket) #12 cavity, see page 78.

DMC does NOT provide connectors, contacts, or wiring components. Parts are shown here for reference only.

MIL-DTL-81659 SERIES 1



RECTANGULAR FRONT RELEASE CONTACTS

| CONNECTOR P/N | DESCRIPTION | QPL SOURCES |
|-------------------------------|--|----------------|
| M81659/1 THRU M81659/27 | RECEPTACLE OR PLUG, TYPE 1 AND 2 CLASS 1 AND 2 SHELL DESIGNATOR A OR B | NO QPL SOURCES |

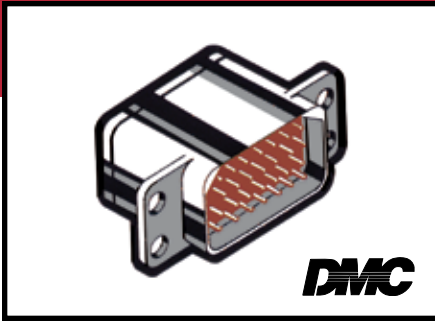
| CONTACTS | SIZE (AWG) | | PIN/SOC. | PART NUMBER* (CURRENT) | PART NUMBER (SUPERSEDED) | WIRE RANGE |
|--|---------------|----------------|----------|------------------------------|----------------------------------|----------------|
| | MATING END | WIRE BARREL | | | | |
| | 16 16 | 16 16 | P S | M39029/2-106 M39029/3-109 | M39029/2-16-16 M39029/3-16-16 | 16-20 16-20 |
| | 20 20 | 20 20 | P S | M39029/2-105 M39029/3-108 | M39029/2-20-20 M39029/3-20-20 | 20-24 20-24 |
| TYPICAL CONTACT CONFIGURATION | 22 22 | 22 22 | P S | M39029/2-104 M39029/3-107 | M39029/2-22-22 M39029/3-22-22 | 22-26 22-26 |

| TOOL SELECTION | | CRIMP TOOL AND ACCESSORY | | | | | ASSEMBLY TOOLS | |
|----------------|--|--------------------------|--------------|--------------|---------------|---------------|------------------------------------|------------------------------------|
| BIN* | COLOR | AF8 | AFM8 | MH860 | WA23 (POS) | WA23 (DIE) | INSTALLING | REMOVAL |
| 106 109 | BROWN-BLACK-BLUE BROWN-BLACK-WHITE | TH1A TH1A | | 86-2 86-2 | | | DAK55-16A DAK55-16A | DRK56-16A DRK56-16A |
| 105 108 | BROWN-BLACK-GREEN BROWN-BLACK-GRAY | TH1A TH1A | K287 K287 | | | | Consult Factory Consult Factory | Consult Factory Consult Factory |
| 104 107 | BROWN-BLACK-YELLOW BROWN-BLACK-VIOLET | | K287 K287 | | | | Consult Factory Consult Factory | Consult Factory Consult Factory |

*The three number suffix on M39029 series contacts is referred to as a "BIN" code. See page 22 for color stripe association.

DMC does NOT provide connectors, contacts, or wiring components. Parts are shown here for reference only.

MIL-DTL-81659 SERIES 2 (ARINC 404)



RECTANGULAR REAR RELEASE CONTACTS

| CONNECTOR P/N | DESCRIPTION | QPL SOURCES |
|--------------------------------|---|---|
| M81659/29 THRU M81659/72 | RECEPTACLE OR PLUG, TYPE 2, 3 AND 4 CLASS 1 AND 2 SHELL DESIGNATOR A OR B | TYCO ELECTRONICS ITT CANNON RADIALL, S.A. |

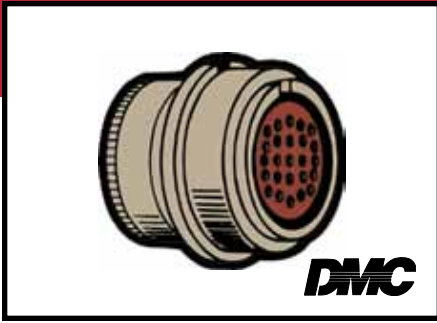
| CONTACTS | SIZE (AWG) | | PIN/SOC. | PART NUMBER* (CURRENT) | PART NUMBER (SUPERSEDED) | WIRE RANGE |
|--|---------------|----------------|----------|---------------------------|-----------------------------|---------------|
| | MATING END | WIRE BARREL | | | | |
| | 12 | 12 | P | M39029/11-147 | M39029/11-12-12 | 12-14 |
| | 12 | 12 | S | M39029/12-151 | M39029/12-12-12 | 12-14 |
| | 16 | 16 | P | M39029/11-146 | M39029/11-16-16 | 16-20 |
| | 16 | 16 | S | M39029/12-150 | M39029/12-16-16 | 16-20 |
| | 20 | 20 | P | M39029/11-145 | M39029/11-20-20 | 20-24 |
| | 20 | 20 | S | M39029/12-149 | M39029/12-20-20 | 20-24 |
| TYPICAL CONTACT CONFIGURATION | 22 | 22 | P | M39029/11-144 | M39029/11-22-22 | 22-26 |
| | 22 | 22 | S | M39029/12-148 | M39029/12-22-22 | 22-26 |

| TOOL SELECTION | | CRIMP TOOL AND ACCESSORY | | | | | ASSEMBLY TOOLS | |
|----------------|--|--------------------------|------------------|--------------------|---------------|---------------|----------------------------|----------------------------|
| BIN* | COLOR | AF8 | AFM8 | MH860 | WA23 (POS) | WA23 (DIE) | INSTALLING | REMOVAL |
| 147 151 | BROWN-YELLOW-VIOLET BROWN-GREEN-BROWN | TP465 TP465 | | | | | BY HAND BY HAND | DRK337 DRK337 |
| 146 150 | BROWN-YELLOW-BLUE BROWN-GREEN-BLACK | TH1A TH1A | | 86-2 86-2 | | | M81969/1-03 M81969/1-03 | M81969/1-03 M81969/1-03 |
| 145 149 | BROWN-YELLOW-GREEN BROWN-YELLOW-WHITE | | K13-1 K13-1 | 86-30-1 86-30-1 | | | M81969/1-02 M81969/1-02 | M81969/1-02 M81969/1-02 |
| 144 148 | BROWN-YELLOW-YELLOW BROWN-YELLOW-GRAY | | K267-1 K267-1 | 86-137 86-137 | | | M81969/1-01 M81969/1-01 | M81969/1-01 M81969/1-01 |

*The three number suffix on M39029 series contacts is referred to as a "BIN" code. See page 22 for color stripe association.

DMC does NOT provide connectors, contacts, or wiring components. Parts are shown here for reference only.


MIL-C-81703 SERIES 2



CIRCULAR RACK & PANEL OR PUSH PULL COUPLING FRONT RELEASE CONTACTS

For Backshell Torquing Tools, see page 65.

| CONNECTOR P/N | DESCRIPTION | QPL SOURCES |
|---------------|------------------------------|-------------|
| MS3140 | WALL MOUNT FLANGE RECEPTACLE | DEUTSCH |
| MS3144 | JAM NUT MOUNT RECEPTACLE | |
| MS3147 | STRAIGHT PLUG | |
| MS3148 | PLUG LANYARD COUPLING | |

| CONTACTS | SIZE (AWG) | | PIN/SOC. | PART NUMBER* (CURRENT) | PART NUMBER (SUPERSEDED) | WIRE RANGE |
|---|---------------|----------------|----------|--------------------------------|--------------------------------|----------------|
| | MATING END | WIRE BARREL | | | | |
|  | 12 12 | 12 12 | P S | M39029/31-234 M39029/32-253 | MS3192-12-12A MS3193-12-12A | 12-14 12-14 |
| | 16 16 | 16 16 | P S | M39029/31-228 M39029/32-247 | MS3192-16-16A MS3193-16-16A | 16-20 16-20 |
| TYPICAL CONTACT CONFIGURATION | 20 20 | 20 20 | P S | M39029/31-223 M39029/32-242 | MS3192-20-20A MS3193-20-20A | 20-24 20-24 |

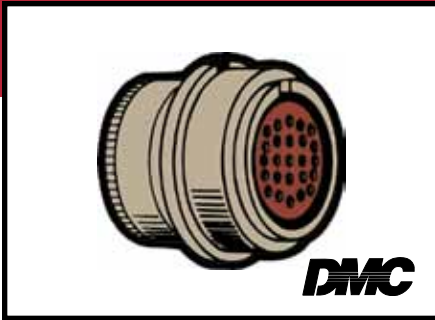
| TOOL SELECTION | | CRIMP TOOL AND ACCESSORY | | | | | ASSEMBLY TOOLS | |
|----------------|---------------------------------------|--------------------------|------------|----------------|---------------|---------------|------------------|------------------|
| BIN* | COLOR | AF8 | AFM8 | MH860 | WA23 (POS) | WA23 (DIE) | INSTALLING | REMOVAL |
| 234 253 | RED-ORANGE-YELLOW RED-GREEN-ORANGE | TH1A TH1A | | | | | DAK12B DAK12B | DRK12B DRK12B |
| 228 247 | RED-RED-GRAY RED-YELLOW-VIOLET | TH1A TH1A | | 86-2 86-2 | | | DAK16B DAK16B | DRK16B DRK16B |
| 223 242 | RED-RED-ORANGE RED-YELLOW-RED | TH1A TH1A | K1S K1S | 86-1S 86-1S | | | DAK20B DAK20B | DRK20B DRK20B |

*The three number suffix on M39029 series contacts is referred to as a "BIN" code. See page 22 for color stripe association.

Contact M39029/7-126 (Shielded Pin) #12 cavity, see page 78.

DMC does NOT provide connectors, contacts, or wiring components. Parts are shown here for reference only.

MIL-C-81703 SERIES 3



CIRCULAR RACK & PANEL OR PUSH PULL COUPLING REAR RELEASE CONTACTS

For Backshell Torquing Tools, see page 65.

| CONNECTOR P/N | DESCRIPTION | QPL SOURCES |
|---------------|------------------------------|-------------|
| MS3445 | PLUG RACK & PANEL | DEUTSCH |
| MS3424 | WALL MOUNT FLANGE RECEPTACLE | |
| MS3446 | PLUG RACK & PANEL | |
| MS3464 | JAM NUT MOUNT RECEPTACLE | |
| MS3467 | STRAIGHT PLUG | |
| MS3468 | PLUG LANYARD COUPLING | |

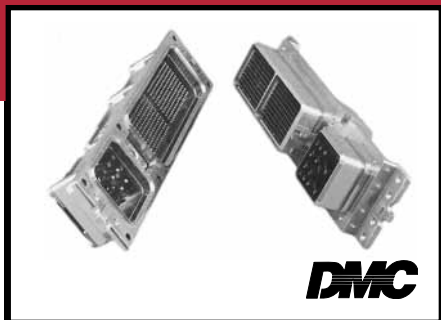
| CONTACTS | SIZE (AWG) | | PIN/SOC. | PART NUMBER* (CURRENT) | PART NUMBER (SUPERSEDED) | WIRE RANGE |
|----------------------------------|---------------|----------------|----------|---------------------------|-----------------------------|---------------|
| | MATING END | WIRE BARREL | | | | |
| | 12 | 12 | P | M39029/4-113 | M39029/4-12-12 | 12-14 |
| | 12 | 12 | S | M39029/5-118 | M39029/5-12-12 | 12-14 |
| | 12 | 16 | P | M39029/4-114 | M39029/4-12-16 | 16-20 |
| | 12 | 16 | S | M39029/5-119 | M39029/5-12-16 | 16-20 |
| | 16 | 16 | P | M39029/4-111 | M39029/4-16-16 | 16-20 |
| | 16 | 16 | S | M39029/5-116 | M39029/5-16-16 | 16-20 |
| TYPICAL CONTACT CONFIGURATION | 16 | 20 | P | M39029/4-112 | M39029/4-16-20 | 20-24 |
| | 16 | 20 | S | M39029/5-117 | M39029/5-16-20 | 20-24 |
| | 20 | 20 | P | M39029/4-110 | M39029/4-20-20 | 20-24 |
| | 20 | 20 | S | M39029/5-115 | M39029/5-20-20 | 20-24 |

| TOOL SELECTION | | CRIMP TOOL AND ACCESSORY | | | | | ASSEMBLY TOOLS | |
|----------------|--------------------|--------------------------|------|-------|---------------|---------------|----------------|-----------|
| BIN* | COLOR | AF8 | AFM8 | MH860 | WA23 (POS) | WA23 (DIE) | INSTALLING | REMOVAL |
| 113 | BROWN-BROWN-ORANGE | TH1A | | | | | DAK83-12B | DRK83-12B |
| 118 | BROWN-BROWN-GRAY | TH1A | | | | | DAK83-12B | DRK83-12B |
| 114 | BROWN-BROWN-YELLOW | TH1A | | | | | DAK83-12B | DRK83-12B |
| 119 | BROWN-BROWN-WHITE | TH1A | | | | | DAK83-12B | DRK83-12B |
| 111 | BROWN-BROWN-BROWN | TH1A | | 86-2 | | | DAK83-16B | DRK83-16B |
| 116 | BROWN-BROWN-BLUE | TH1A | | 86-2 | | | DAK83-16B | DRK83-16B |
| 112 | BROWN-BROWN-RED | TH1A | K1S | 86-2 | | | DAK83-16B | DRK83-16B |
| 117 | BROWN-BROWN-VIOLET | TH1A | K1S | 86-2 | | | DAK83-16B | DRK83-16B |
| 110 | BROWN-BROWN-BLACK | TH1A | K1S | 86-1S | | | DAK83-20B | DRK83-20B |
| 115 | BROWN-BROWN-GREEN | TH1A | K1S | 86-1S | | | DAK83-20B | DRK83-20B |

*The three number suffix on M39029 series contacts is referred to as a "BIN" code. See page 22 for color stripe association.

DMC does NOT provide connectors, contacts, or wiring components. Parts are shown here for reference only.

MIL-DTL-83527 (ARINC 600)



RECTANGULAR RACK AND PANEL REAR RELEASE CONTACTS

| CONNECTOR P/N | DESCRIPTION | QPL SOURCES |
|------------------------------|--|---|
| M83527/1 THRU M83527/6 | Receptacle or Plug Shell Size 2, 3, 4 | Tyco Electronics (AMP) Souriau ITT Cannon |

| CONTACTS | SIZE (AWG) | | PIN/SOC. | PART NUMBER* (CURRENT) | PART NUMBER (SUPERSEDED) | WIRE RANGE |
|----------------------------------|---------------|----------------|----------|---------------------------|-----------------------------|---------------|
| | MATING END | WIRE BARREL | | | | |
| TYPICAL CONTACT CONFIGURATION | 22 | 22 | P | M39029/93-597 | | 22-26 |
| | 22 | 22 | S | M39029/94-601 | | 22-26 |
| | 20 | 20 | P | M39029/93-598 | | 20-24 |
| | 20 | 20 | S | M39029/94-602 | | 20-24 |
| | 16 | 16 | P | M39029/93-539 | | 16-20 |
| | 16 | 16 | S | M39029/94-603 | | 16-20 |
| | 12 | 12 | P | M39029/93-540 | | 12-14 |
| | 12 | 12 | S | M39029/94-604 | | 12-14 |

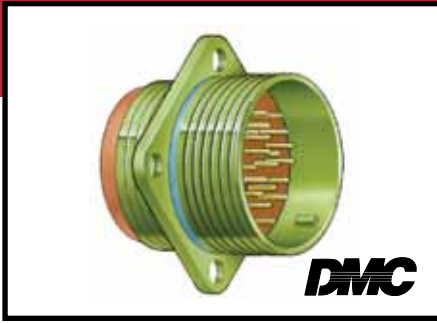
| TOOL SELECTION | | CRIMP TOOL AND ACCESSORY | | | | | ASSEMBLY TOOLS | |
|----------------|--------------------|--------------------------|--------|---------|---------------|---------------|----------------|-------------|
| BIN* | COLOR | AF8 | AFM8 | MH860 | WA23 (POS) | WA23 (DIE) | INSTALLING | REMOVAL |
| 597 | GREEN-WHITE-VIOLET | | K267-1 | 86-137 | | | M81969/1-01 | M81969/1-01 |
| 601 | BLUE-BLACK-BROWN | | K267-1 | 86-137 | | | M81969/1-01 | M81969/1-01 |
| 598 | GREEN-WHITE-GRAY | TP585 | K13-1 | 86-30-1 | | | M81969/1-02 | M81969/1-02 |
| 602 | BLUE-BLACK-RED | TP585 | K13-1 | 86-30-1 | | | M81969/1-02 | M81969/1-02 |
| 539 | GREEN-ORANGE-WHITE | TH1A | | 86-2 | | | M81969/1-03 | M81969/1-03 |
| 603 | BLUE-BLACK-ORANGE | TH1A | | 86-2 | | | M81969/1-03 | M81969/1-03 |
| 540 | GREEN-YELLOW-BLACK | TP465 | | | | | | DRK337 |
| 604 | BLUE-BLACK-YELLOW | TP465 | | | | | | DRK337 |

*The three number suffix on M39029 series contacts is referred to as a "BIN" code. See page 22 for color stripe association.

Contact M39029/95-545 (Shielded Socket) #8 Cavity, contact DMC.
 Contact M39029/96-546 (Shielded Pin) #8 Cavity, contact DMC.
 Contact M39029/97-547 (Shielded Pin) #1 Cavity, contact DMC.
 Contact M39029/98-548 (Shielded Socket) #1 Cavity, contact DMC.
 Contact M39029/99-549 (Shielded Socket) #5 Cavity, contact DMC.
 Contact M39029/100-550 (Shielded Socket) #5 Cavity, contact DMC.

DMC does NOT provide connectors, contacts, or wiring components. Parts are shown here for reference only.

MIL-DTL-83723 SERIES 2



CIRCULAR THREADED COUPLING REAR RELEASE CONTACTS

For Backshell Torquing Tools, see page 65.

| CONNECTOR P/N | DESCRIPTION | QPL SOURCES |
|---------------|--|--|
| M83723/17 | CABLE CONNECTING RECEPTACLE SKT CONTACTS | AERO-ELECTRIC CONNECTORS ITT CANNON J-TECH, INC. AMPHENOL CONNECTORS ELECSYS, INC. |
| M83723/18 | CABLE CONNECTING RECEPTACLE PIN CONTACTS | |
| M83723/19 | WALL MOUNT RECEPTACLE SKT CONTACTS | |
| M83723/20 | WALL MOUNT RECEPTACLE PIN CONTACTS | |
| M83723/21 | BOX MOUNT RECEPTACLE SKT CONTACTS | |
| M83723/22 | BOX MOUNT RECEPTACLE PIN CONTACTS | |
| M83723/23 | PLUG SKT CONTACTS | |
| M83723/24 | PLUG PIN CONTACTS | |

| CONTACTS | SIZE (AWG) | | PIN/SOC. | PART NUMBER* (CURRENT) | PART NUMBER (SUPERSEDED) | WIRE RANGE |
|--|---------------|----------------|----------|---------------------------|-----------------------------|---------------|
| | MATING END | WIRE BARREL | | | | |
| | 12 | 12 | P | M39029/29-213 | M39029/29-12-12 | 12-14 |
| | 12 | 12 | S | M39029/30-219 | M39029/30-12-12 | 12-14 |
| TYPICAL CONTACT CONFIGURATION | 16 | 16 | P | M39029/29-212 | M39029/29-16-16 | 16-20 |
| | 16 | 16 | S | M39029/30-218 | M39029/30-16-16 | 16-20 |

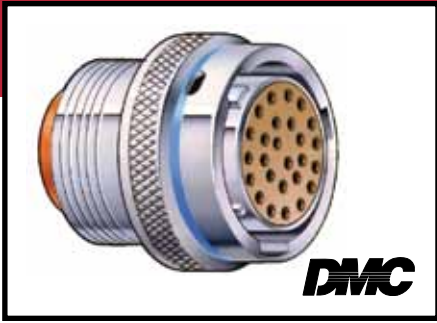
| TOOL SELECTION | | CRIMP TOOL AND ACCESSORY | | | | | ASSEMBLY TOOLS | |
|----------------|------------------|--------------------------|------|-------|---------------|---------------|----------------|-----------|
| BIN* | COLOR | AF8 | AFM8 | MH860 | WA23 (POS) | WA23 (DIE) | INSTALLING | REMOVAL |
| 213 | RED-BROWN-ORANGE | TH1A | | | | | DAK83-12B | DRK83-12B |
| 219 | RED-BROWN-WHITE | TH1A | | | | | DAK83-12B | DRK83-12B |
| 212 | RED-BROWN-RED | TH1A | | 86-2 | | | DAK83-16B | DRK83-16B |
| 218 | RED-BROWN-GRAY | TH1A | | 86-2 | | | DAK83-16B | DRK83-16B |

*The three number suffix on M39029 series contacts is referred to as a "BIN" code. See page 22 for color stripe association.

Contact M39029/86 is a Thermocouple.

DMC does NOT provide connectors, contacts, or wiring components. Parts are shown here for reference only.

MIL-DTL-83723 SERIES 3



CIRCULAR BAYONET AND THREADED COUPLING REAR RELEASE CONTACTS

For Backshell Torquing Tools, see page 65.

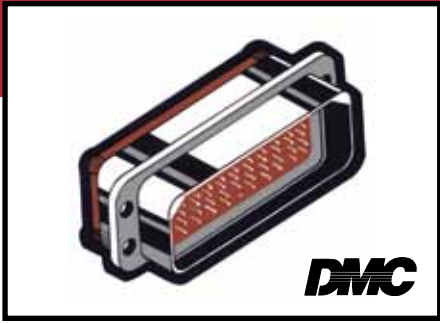
| CONNECTOR P/N | DESCRIPTION | QPL SOURCES |
|---|-------------------------|---|
| M83723/71, /72, /82, /83, | FLANGE MOUNT RECEPTACLE | AERO ELECTRIC, AMPHENOL, PYLE NATIONAL, DEUTSCH, J-TECH, HI-REL CONNECTORS, ITT CANNON, JOURIAU |
| M83723/74, 73, /85, /84 | JAM NUT RECEPTACLE | |
| M83723/76, /75, /77 | STRAIGHT PLUG, BAYONET | |
| M83723/87, /86, /78, /91, /95, /92, /96 | | |

| CONTACTS | SIZE (AWG) | | PIN/SOC. | PART NUMBER* (CURRENT) | PART NUMBER (SUPERSEDED) | WIRE RANGE |
|----------|--------------------------------------|-------------|----------|------------------------------|-------------------------------------|-----------------------------------|
| | MATING END | WIRE BARREL | | | | |
| | 12 | 12 | P | M39029/4-113 | M39029/4-12-12 or M83723-33B12 | 12-14 |
| | 12 | 12 | S | M39029/5-118 | M39029/5-12-12 or M83723-34B12 | 12-14 |
| | 12 12 | 16 16 | P S | M39029/4-114 M39029/5-119 | M39029/4-12-16 or M39029/5-12-16 | 16-20 16-20 |
| | 16 | 16 | P | M39029/4-111 | M39029/4-16-16 or M83723-33B16 | 16-20 |
| | 16 | 16 | S | M39029/5-116 | M39029/5-16-16 or M83723-34B16 | 16-20 |
| | 16 16 | 20 20 | P S | M39029/4-112 M39029/5-117 | M39029/4-16-20 or M39029/5-16-20 | 20-24 20-24 |
| | 20 | 20 | P | M39029/4-110 | M39029/4-20-20 or M83723-33B20 | 20-24 |
| | TYPICAL CONTACT CONFIGURATION | 20 | 20 | S | M39029/5-115 | M39029/5-20-20 or M83723-34B20 |

| TOOL SELECTION | | CRIMP TOOL AND ACCESSORY | | | | | ASSEMBLY TOOLS | |
|----------------|--------------------|--------------------------|------|-------|------------|------------|----------------|-----------|
| BIN* | COLOR | AF8 | AFM8 | MH860 | WA23 (POS) | WA23 (DIE) | INSTALLING | REMOVAL |
| 113 | BROWN-BROWN-ORANGE | TH1A | | | | | DAK83-12B | DRK83-12B |
| 118 | BROWN-BROWN-GRAY | TH1A | | | | | DAK83-12B | DRK83-12B |
| 114 | BROWN-BROWN-YELLOW | TH1A | | 86-2 | | | DAK83-16B | DRK83-16B |
| 119 | BROWN-BROWN-WHITE | TH1A | | 86-2 | | | DAK83-16B | DRK83-16B |
| 111 | BROWN-BROWN-BROWN | TH1A | | 86-2 | | | DAK83-16B | DRK83-16B |
| 116 | BROWN-BROWN-BLUE | TH1A | | 86-2 | | | DAK83-16B | DRK83-16B |
| 112 | BROWN-BROWN-RED | TH1A | | 86-2 | | | DAK83-16B | DRK83-16B |
| 117 | BROWN-BROWN-VIOLET | TH1A | | 86-2 | | | DAK83-16B | DRK83-16B |
| 110 | BROWN-BROWN-BLACK | TH1A | K1S | 86-1S | | | DAK83-20B | DRK83-20B |
| 115 | BROWN-BROWN-GREEN | TH1A | K1S | 86-1S | | | DAK83-20B | DRK83-20B |

Contact M39029/27-402 to 408 (Shielded Socket) #12 cavity, see page 79.
 Contact M39029/28-409 to 415 (Shielded Pin) #12 cavity, see page 79.
 Contact M39029/73-396 to 398 (Shielded Socket) #12 cavity, solder termination.
 Contact M39029/74-399 to 401 (Shielded Pin) #12 cavity, solder termination..

DMC does NOT provide connectors, contacts, or wiring components. Parts are shown here for reference only.



MIL-DTL-83733

RECTANGULAR MINIATURE RACK AND PANEL REAR RELEASE CONTACTS

| CONNECTOR P/N | DESCRIPTION | QPL SOURCES |
|---------------|-------------------------------|---------------------------|
| M83733/1 | STANDARD HOLE MOUNT | DELPHI CONNECTION SYSTEMS |
| M83733/2 | GUIDE PINS AND SPRING MOUNT | |
| M83733/3 | GUIDE SOCKETS | |
| M83733/4 | CAPTIVE SPRINGS | |
| M83733/5 | BUSHING MOUNT | |
| M83733/6 | CLINCH NUT MOUNT | |
| M83733/7 | GUIDE SKTS AND SPRING MOUNT | |
| M83733/8 | GUIDE PINS | |
| M83733/9 | STAGGERED STANDARD HOLE MOUNT | |
| M83733/10 | STAGGERED BUSHING MOUNT | |
| M83733/11 | STAGGERED CLINCH NUT MOUNT | |
| M83733/12 | STAGGERED SPRING MOUNT | |

| CONTACTS | SIZE (AWG) | | PIN/SOC. | PART NUMBER* (CURRENT) | PART NUMBER (SUPERSEDED) | WIRE RANGE |
|---|------------|-------------|----------|---------------------------|-----------------------------|------------|
| | MATING END | WIRE BARREL | | | | |
| <p>TYPICAL CONTACT CONFIGURATION</p> | 12 | 12 | P | M39029/4-113 | M39029/4-12-12 | 12-14 |
| | 12 | 12 | S | M39029/5-118 | M39029/5-12-12 | 12-14 |
| | 16 | 16 | P | M39029/4-111 | M39029/4-16-16 | 16-20 |
| | 16 | 16 | S | M39029/5-116 | M39029/5-16-16 | 16-20 |
| | 20 | 20 | P | M39029/4-110 | M39029/4-20-20 | 20-24 |
| | 20 | 20 | S | M39029/5-115 | M39029/5-20-20 | 20-24 |
| | 22 | 22D | P | M39029/58-360 | MS27494-22D | 22-28 |
| | 22 | 22D | S | M39029/57-354 | MS27492-22D | 22-28 |

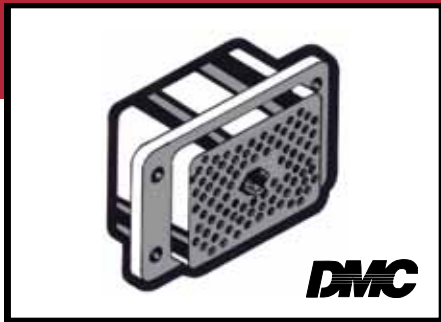
| TOOL SELECTION | | CRIMP TOOL AND ACCESSORY | | | | | ASSEMBLY TOOLS | |
|----------------|---------------------|--------------------------|------|-------|------------|------------|----------------|--------------|
| BIN* | COLOR | AF8 | AFM8 | MH860 | WA23 (POS) | WA23 (DIE) | INSTALLING | REMOVAL |
| 113 | BROWN-BROWN-ORANGE | TH1A | | | | | M81969/14-04 | M81969/14-04 |
| 118 | BROWN-BROWN-GRAY | TH1A | | | | | M81969/14-04 | M81969/14-04 |
| 111 | BROWN-BROWN-BROWN | TH1A | | 86-2 | | | M81969/14-03 | M81969/14-03 |
| 116 | BROWN-BROWN-BLUE | TH1A | | 86-2 | | | M81969/14-03 | M81969/14-03 |
| 110 | BROWN-BROWN-BLACK | TH1A | K1S | 86-1S | | | M81969/14-02 | M81969/14-02 |
| 115 | BROWN-BROWN-GREEN | TH1A | K1S | 86-1S | | | M81969/14-02 | M81969/14-02 |
| 360 | ORANGE-BLUE-BLACK | | K42 | 86-6 | | | M81969/14-01 | M81969/14-01 |
| 354 | ORANGE-GREEN-YELLOW | | K41 | 86-5 | | | M81969/14-01 | M81969/14-01 |

*The three number suffix on M39029 series contacts is referred to as a "BIN" code. See page 22 for color stripe association.

Contact M39029/50-340 (Shielded Pin) #12 cavity, see page 79.
 Contact M39029/51-341 (Shielded Socket) #12 cavity, see page 79.
 Contact M39029/87 is a Thermocouple.
 Contact M39029/89 is a Thermocouple.

DMC does NOT provide connectors, contacts, or wiring components. Parts are shown here for reference only.

MIL-C-85028 SERIES AS



**RECTANGULAR – INDIVIDUAL CONTACT SEALING
POLARIZED CENTER JACK SCREW
PULL THRU INSERTION CONTACTS****

| CONNECTOR P/N | DESCRIPTION | QPL SOURCES |
|---------------|------------------------------|---------------------------|
| M85028/1 | CRIMP REMOVABLE PIN CONTACTS | DELPHI CONNECTION SYSTEMS |
| M85028/2 | CRIMP REMOVABLE SKT CONTACTS | |

| CONTACTS | SIZE (AWG) | | PIN/SOC. | PART NUMBER* (CURRENT) | PART NUMBER (SUPERSEDED) | WIRE RANGE | |
|----------|--------------------------------------|-------------|----------|---------------------------|-----------------------------|------------|--|
| | MATING END | WIRE BARREL | | | | | |
| | 16 | 16 | P | M39029/70-389 | M39029/70-3 | 16-20 | |
| | 16 | 16 | S | M39029/69-386 | M39029/69-3 | 16-20 | |
| | 16 | 20 | P | M39029/70-388 | M39029/70-2 | 20-24 | |
| | 16 | 20 | S | M39029/69-385 | M39029/69-2 | 20-24 | |
| | 16 | 24 | P | M39029/70-387 | M39029/70-1 | 24-28 | |
| | 16 | 24 | S | M39029/69-384 | M39029/69-1 | 24-28 | |
| | TYPICAL CONTACT CONFIGURATION | | | | | | |

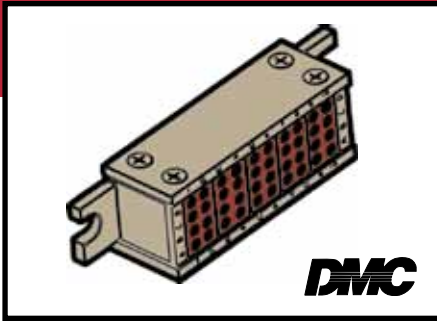
| TOOL SELECTION | | CRIMP TOOL AND ACCESSORY | | | | | ASSEMBLY TOOLS | |
|----------------|--------------------|--------------------------|------|-------|------------|------------|----------------|---------|
| BIN* | COLOR | AF8 | AFM8 | MH860 | WA23 (POS) | WA23 (DIE) | INSTALLING** | REMOVAL |
| 389 | ORANGE-GRAY-WHITE | TP651 | | | | | DAK1-16P | DRK222 |
| 386 | ORANGE-GRAY-BLUE | TP651 | | | | | DAK1-16S | DRK222 |
| 388 | ORANGE-GRAY-GRAY | TP651 | | | | | DAK1-16P | DRK222 |
| 385 | ORANGE-GRAY-GREEN | TP651 | | | | | DAK1-16S | DRK222 |
| 387 | ORANGE-GRAY-VIOLET | TP651 | | | | | DAK1-16P | DRK222 |
| 384 | ORANGE-GRAY-YELLOW | TP651 | | | | | DAK1-16S | DRK222 |

*The three number suffix on M39029 series contacts is referred to as a "BIN" code. See page 22 for color stripe association.

** Due to the sealing grommet on the contact wire barrel, it requires a special tool which is inserted through the connector, attached to the mating end of the contact, and then "pulled" into the connector. A release on the tool is actuated and the tool can be removed from the contact.

DMC does NOT provide connectors, contacts, or wiring components. Parts are shown here for reference only.

AS81714



TERMINAL JUNCTIONS

| CONNECTOR P/N | DESCRIPTION | QPL SOURCES |
|---------------|-----------------------|---|
| M81714/1 | FEEDBACK TYPE SIZE 22 | AMPHENOL-PCD, AMP TYCO DME ELECTRONICS DEUTSCH |
| M81714/2 | FEEDBACK TYPE SIZE 20 | |
| M81714/3 | FEEDBACK TYPE SIZE 16 | |
| M81714/4 | FEEDBACK TYPE SIZE 12 | |
| M81714/6 | FEEDBACK TYPE SIZE 22 | |
| M81714/7 | FEEDBACK TYPE SIZE 20 | |
| M81714/8 | FEEDBACK TYPE SIZE 16 | |
| M81714/9 | FEEDBACK TYPE SIZE 12 | |
| M81714/11 | SPLICES | |
| M81714/12 | DOUBLE SPLICES | |
| M81714/15 | TERMINAL GROUNDING | |

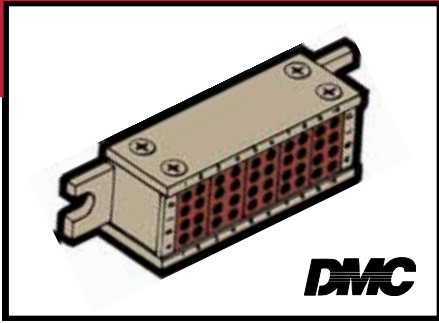
| CONTACTS | SIZE (AWG) | | PIN/SOC. | PART NUMBER* (CURRENT) | PART NUMBER (SUPERSEDED) | WIRE RANGE |
|----------|---------------|----------------|----------|---------------------------|-----------------------------|---------------|
| | MATING END | WIRE BARREL | | | | |
| | 12 | 12 | P | M39029/1-103 | M39029/1-12-12 | 12-14 |
| | 14 | 16 | P | M39029/1-102 | M39029/1-14-16 | 16-20 |
| | 16 | 20 | P | M39029/1-101 | M39029/1-16-20 | 20-24 |
| | 16 | 22 | P | M39029/1-100 | M39029/1-16-22 | 22-26 |
| | 20 | 22D | P | M39029/1-507 | M39029/1-20-22D | 22-28 |
| | | | | | | |
| | | | | | | |
| | | | | | | |

| TOOL SELECTION | | CRIMP TOOL AND ACCESSORY | | | | | ASSEMBLY TOOLS | |
|----------------|--------------------|--------------------------|--------|-------|---------------|---------------|----------------|--------------|
| BIN* | COLOR | AF8 | AFM8 | MH860 | WA23 (POS) | WA23 (DIE) | INSTALLING | REMOVAL |
| 103 | BROWN-BLACK-ORANGE | TH1A | | | | | DAK83-12B | DRK83-12B |
| 102 | BROWN-BLACK-RED | TH1A | | | | | DAK83-16B | DRK83-16B |
| 101 | BROWN-BLACK-BROWN | TH1A | K287 | | | | DAK83-20B | DRK83-20B |
| 100 | BROWN-BLACK-BLACK | | K287 | | | | M81969/14-11 | M81969/14-11 |
| 507 | GREEN-BLACK-VIOLET | | K496-1 | | | | M81969/14-01 | M81969/14-01 |

*The three number suffix on M39029 series contacts is referred to as a "BIN" code. See page 22 for color stripe association.


DMC does NOT provide connectors, contacts, or wiring components. Parts are shown here for reference only.

MIL-STD-1549



COMMON TERMINAL SYSTEM

| CONNECTOR P/N | DESCRIPTION | QPL SOURCES |
|---------------|-------------|----------------|
| | | NO QPL SOURCES |

| CONTACTS | SIZE (AWG) | | PIN/SOC. | PART NUMBER* (CURRENT) | PART NUMBER (SUPERSEDED) | WIRE RANGE |
|---|------------|-------------|----------|---------------------------|-----------------------------|------------|
| | MATING END | WIRE BARREL | | | | |
|  | 12 | 12 | S | M39029/22-605 | — | 12-14 |
| | 16 | 16 | S | M39029/22-193 | M39029/22-16-16 | 16-20 |
| | 20 | 20 | S | M39029/22-192 | M39029/22-20-20 | 20-24 |
| | 22 | 22 | S | M39029/22-191 | M39029/22-22-22 | 28-32 |
| | 22 | 28 | S | M39029/22-190 | M39029/22-22-28 | 28-32 |
| TYPICAL CONTACT CONFIGURATION | | | | | | |

| TOOL SELECTION | | CRIMP TOOL AND ACCESSORY | | | | | ASSEMBLY TOOLS | |
|----------------|--|--------------------------|----------------|----------------|------------|------------|---------------------------|---------------------------|
| BIN* | COLOR | AF8 | AFM8 | MH860 | WA23 (POS) | WA23 (DIE) | INSTALLING | REMOVAL |
| 605 193 | BLUE-BLACK-GREEN BROWN-WHITE-ORANGE | TH343 TH343 | | 86-21 | | | DAK83-12B DAK83-16B | DRK83-12B DRK83-16B |
| 192 191 | BROWN-WHITE-RED BROWN-WHITE-BROWN | TH343 | K503 K330-3 | 86-20 86-19 | | | DAK83-20B M81969/14-01 | DRK83-20B M81969/14-01 |
| 190 | BROWN-WHITE-BLACK | | K330-3 | 86-19 | | | M81969/14-01 | M81969/14-01 |

*The three number suffix on M39029 series contacts is referred to as a "BIN" code. See page 22 for color stripe association.

DMC does NOT provide connectors, contacts, or wiring components. Parts are shown here for reference only.

Installing and Removal Tools

DMC is dedicated to serving the connector tooling needs of the electronics industry. We, therefore, continue our connector product package with a wide variety of installing and removal tools.

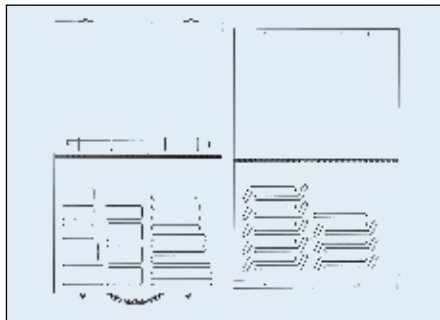
Although we supply both plastic and metal tools, we recommend the use of the metal tools because of their durability.

When used properly they are more cost effective in that they withstand thousands of contact insertion and removal cycles. The trend to all metal tools is being actively encouraged by most departments of the government.

DMC installing and removal tools are of proven high quality and reliability. In addition to the tools listed in the reference table, we have many more for other connector applications.

Consult factory for details.

Illustrated on page 57 are typical rear and front release retention methods found in today's connectors.



DMC1155 GENERAL PURPOSE INSERTION AND REMOVAL TOOL KIT

DMC's General Purpose Insertion and Removal Tool Kit contains metal insertion and removal tools for common Mil-Spec Circular Connectors, D-Subminiature Connector, ARINC Connectors and AS81714 terminal junctions. Consult DMC for further details.



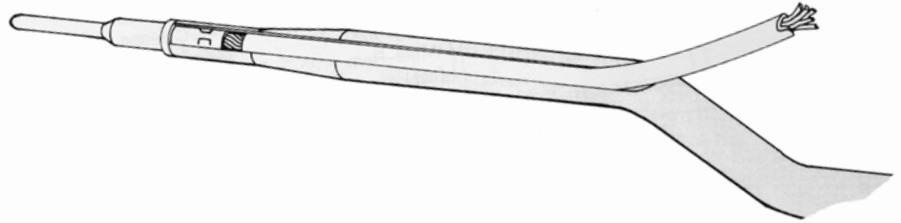
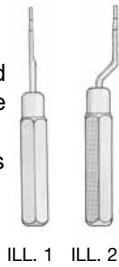
M81969/# REFERENCE CHART

| MIL+ 81969/# | SUPERCEDED MILITARY # | MIL+ 81969/# | SUPERCEDED MILITARY # | MIL+ 81969/# | SUPERCEDED MILITARY # |
|--------------|-----------------------------|--------------|---|--------------|--------------------------|
| 1-01 | MS3156-22 | 11-01 | M28731/22-01 | 19-09 | MS24256R12 |
| 1-02 | MS3156-20 M24308/18-2 | 13-01 | M28731/21-01 | 19-10 | MS24256RH20 |
| 1-03 | MS3156-16 M24308/18-3 | 14-01 | MS27534-22D | 19-11 | MS24256RH16 |
| 1-04 | M24308/18-1 | 14-02 | MS27534-20 MS3447-20 M83723/31-20 | 20-01 | MS17806 |
| 2-01 | MS3323-22 | 14-03 | MS27534-16 MS3447-16 M83723/31-16 | 27-01 | MS90562-1 |
| 2-02 | MS3323-20 | 14-04 | MS27534-12 MS3447-12 M83723/31-12 | 27-02 | MS90562-2 |
| 2-03 | MS3323-16 | 15-01 | MS3483-1 | 27-03 | MS90562-3 |
| 2-04 | MS3323-12 | 15-02 | MS3483-2 | 27-04 | MS90562-4 |
| 3-01 | MS3344-23 | 15-03 | MS3483-3 | 27-05 | MS90562-5 |
| 3-02 | MS3344-20 | 16-01 | MS3160-20 | 27-06 | MS90562-6 |
| 3-03 | MS3344-16 | 16-02 | MS3160-16 | 28-01 | MS3178-001 |
| 3-04 | MS3344-12 | 16-03 | MS3160-12 | 28-02 | MS3178-002 |
| 3-05 | MS3342-23 | 16-04 | MS3160-22 | 29-01 | MS3165-16 |
| 3-06 | MS3342-20 | 17-01 | MS90455-16 | 29-02 | MS3165-8 M83723/32-08 |
| 3-07 | MS3342-16 | 17-02 | MS90455-12 | 29-03 | MS3165-4 M83723/32-04 |
| 3-08 | MS3342-12 | 17-03 | MS24256A20 | 29-04 | MS3165-0 M83723/32-00 |
| 4-01 | M55301/106-01 | 17-04 | MS24256A16 | 30-01 | MS3159-22 |
| 5-01 | M55302/105-01 | 17-05 | MS24256A12 | 30-02 | MS3159-20 |
| 6-01 | M21097/18-01 | 17-06 | MS90455-8 | 30-03 | MS3159-16 |
| 7-01 | M21097/12-01 | 17-07 | MS90455-4 | 30-04 | MS3159-12 |
| 8-01 | M55302/79-01 MS27495A22M | 17-08 | MS90455-0 | 30-05 | MS3448-001A |
| 8-02 | M55302/79-02 MS27495R22M | 18-01 | MS17805 | 30-06 | MS3448-001B |
| 8-03 | MS27495A22 | 19-01 | MS90456-16 | 30-07 | MS3448-001C |
| 8-04 | MS27495R22 | 19-02 | MS90456-12 | 31-01 | MS18137-20-1 |
| 8-05 | MS27495A20 | 19-03 | MS90456-8 | 31-02 | MS18137-20-2 |
| 8-06 | MS27495R20 | 19-04 | MS90456-4 | 31-03 | MS18137-20-3 |
| 8-07 | MS27495A16 | 19-05 | MS90456-0 | 31-04 | MS18137-20-4 |
| 8-08 | MS27495R16 | 19-06 | MS24256R20 | 31-05 | MS14035-02 |
| 8-09 | MS27495A12 | 19-07 | MS24256R20 | 31-06 | MS14035-03 |
| 8-10 | MS27495R12 | 19-08 | MS24256R16 | 31-07 | MS14035-01 |
| 9-01 | M55302/18-01 | | | 31-08 | MS14036-01 |
| 10-01 | M55302/86-01 | | | 31-09 | MS14036-02 |
| | | | | 31-10 | MS14036-03 |

Installing and Removal Tool Illustrations

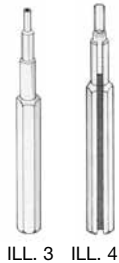
INSTALLING TOOLS

Straight (ILL. 1) and joggled tools (ILL. 2) hold contact and wire in line with center or side of the tool handle. Tool sizes are "0" to "24" gage. Handles are color coded aluminum. Tools range from 4 1/2" to 6" long with replaceable tips.



FRONT REMOVAL, REAR INSTALLING TOOLS

Both front removal (ILL. 3) and rear installing (ILL. 4) Military Standard tools offer a convenient and practical approach to servicing the MIL-C-81511, Series 1 & 2 connectors. Tools are color coded for contact size with half-inch hex metal handles.



REAR REMOVAL AND INSTALLING TWEEZERS

Tools are for sizes 8 to 24 contacts. Used in NAS 1599, MIL-PRF-38999 and other rear release connectors.



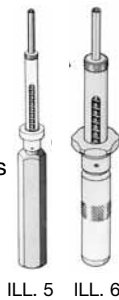
REAR RELEASE PLIERS

This tool unlocks MIL-C-005015 contacts and sizes are 0, 4 and 8 gage.



FRONT RELEASE

Front release connectors are easily serviced with these military spec removal tools. Handles are color coded for contact size. Replaceable tips are available.



REF: MIL-C-005015, MIL-DTL-26482, MIL-C-26500, and MIL-C-26636 Connectors.

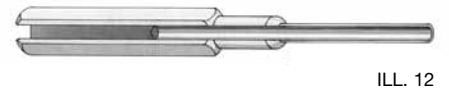
UNWIRED CONTACT TOOLS

Tool removes unwired contacts from connectors and is available in two styles. The metal style employs a locking wedge and removes contacts from terminal block as well as from the connectors.

The Military Standard tools use plastic probes which are interchangeable and available in sizes 12, 16, 20 (MS3448-001 kit) and 12 through 22 (MS3159), series NAS 1599 and MIL-C-81511, Series 3 and 4.

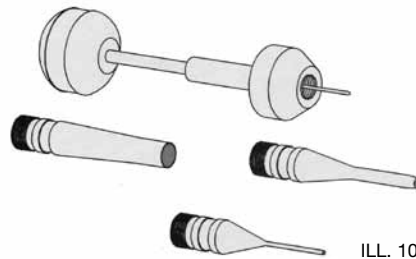
LONG-SLOT TOOLS

This long-slot tool illustrates the standard for MIL-C-005015 installing tools. Modified versions are available on request.



FRONT REMOVAL SPRING-LOADED PROBE CONTACT TOOLS (ILL. 7)

Employing the floating tip concept, these tools offer quality, as well as ease in operation. Body and handle are anodized aluminum alloy and color coded. Replaceable tips are available and require no special installing tools.



MIL-I-81969 Tool Part Number Guide

| MILITARY P/N | DMC P/N | INSTALLATION OR REMOVAL | SIZE | COLOR CODE |
|---------------|--------------|-------------------------|------|-----------------|
| M81969/1-01 | M81969/1-01 | I/R | 22 | GRN/WHT |
| M81969/1-02 | M81969/1-02 | I/R | 20 | RED/WHT |
| M81969/1-03 | M81969/1-03 | I/R | 16 | BLU/WHT |
| M81969/1-04 | M81969/1-04 | I/R | 22D | GRN/WHT |
| M81969/2-01 | DAK126-23A | I | 22 | YEL |
| M81969/2-02 | DAK126-20A | I | 20 | RED |
| M81969/2-03 | DAK126-16A | I | 16 | BLU |
| M81969/2-04 | DAK126-12A | I | 12 | YEL |
| M81969/3-01 | DRK129-23A | R | 23 | YEL |
| M81969/3-02 | DRK129-20A | R | 20 | RED |
| M81969/3-03 | DRK129-16A | R | 16 | BLU |
| M81969/3-04 | DRK129-12A | R | 12 | YEL |
| M81969/3-05 | DRK125-23A | R | 23 | YEL/BLK |
| M81969/3-06 | DRK125-20A | R | 20 | RED/BLK |
| M81969/3-07 | DRK125-16A | R | 16 | BLU/BLK |
| M81969/3-08 | DRK125-12A | R | 12 | YEL/BLK |
| M81969/4-01 | WRAP POST | | | |
| M81969/4-02 | WRAP POST | | | |
| M81969/5-01 | WRAP POST | | | |
| M81969/7-01 | DAK52 | I | N/A | CLEAR |
| M81969/8-01 | DAK95-22MB | I | 22D | GRN |
| M81969/8-02 | DRK95-22MB | R | 22M | GRN/WHT |
| M81969/8-03 | DAK95-22B | I | 22 | BRN |
| M81969/8-04 | DRK95-22B | R | 22 | BRN/WHT |
| M81969/8-05 | DAK95-20B | I | 20 | RED |
| M81969/8-06 | DRK95-20B | R | 20 | RED/WHT |
| M81969/8-07 | DAK95-16B | I | 16 | BLU |
| M81969/8-08 | DRK95-16B | R | 16 | BLU/WHT |
| M81969/8-09 | DAK95-12B | I | 12 | YEL |
| M81969/8-10 | DRK95-12B | R | 12 | YEL/WHT |
| M81969/8-11 | DAK95-10B | I | 10 | GRN |
| M81969/8-12 | DRK95-10B | R | 10 | GRN |
| M81969/8-13 | DAK95-8B | I | 8 | RED |
| M81969/8-14 | DRK95-8B | R | 8 | RED |
| M81969/8-205B | DAK83-20B | I | 20 | RED/BLK |
| M81969/8-206B | DRK83-20B | R | 20 | RED/WHT/ BLK |
| M81969/8-207 | DAK83-16B | I | 16 | BLU/BLK |
| M81969/8-208 | DRK83-16B | R | 16 | BLU/WHT/ BLK |
| M81969/8-209 | DAK83-12B | I | 12 | YEL/BLK |
| M81969/8-210 | DRK83-12B | R | 12 | YEL/WHT/ BLK |
| M81969/12-01 | DRK248A | I/R | N/A | STRAIGHT |
| M81969/12-02 | DRK246A | I/R | N/A | ANGLED |
| M81969/14-01 | M81969/14-01 | I/R | 22D | GRN/WHT |
| M81969/14-02 | M81969/14-02 | I/R | 20 | RED/WHT |
| M81969/14-03 | M81969/14-03 | I/R | 16 | BLU/WHT |
| M81969/14-04 | M81969/14-04 | I/R | 12 | YEL/WHT |
| M81969/14-05 | M81969/14-05 | I/R | 10 | GRA/WHT |

| MILITARY P/N | DMC P/N | INSTALLATION OR REMOVAL | SIZE | COLOR CODE |
|--------------|--------------|-------------------------|-------|------------|
| M81969/14-10 | M81969/14-10 | I/R | 20 | RED/ORA |
| M81969/14-11 | M81969/14-11 | I/R | 20 | RED/WHT |
| M81969/15-01 | DRK250-8 | R | 8 | NONE |
| M81969/15-02 | DRK250-4 | R | 4 | NONE |
| M81969/15-03 | DRK250-0 | R | 1/0 | NONE |
| M81969/16-01 | 81515-20 | I/R | 20 | RED/WHT |
| M81969/16-02 | 81515-16 | I/R | 16 | BLU/WHT |
| M81969/16-03 | 81515-12 | I/R | 12 | YEL/WHT |
| M81969/16-04 | 81515-23 | I/R | 23 | GRN/WHT |
| M81969/17-01 | DAK55-16A | I | 16 | BLU |
| M81969/17-02 | DAK55-12A | I | 12 | YEL |
| M81969/17-03 | DAK20B | I | 20 | RED |
| M81969/17-04 | DAK16B | I | 16 | BLU |
| M81969/17-05 | DAK12B | I | 12 | YEL |
| M81969/17-06 | DAK55-8B | I | 8 | RED |
| M81969/17-07 | DAK55-4B | I | 4 | BLU |
| M81969/17-08 | DAK55-0B | I | 0 | YEL |
| M81969/17-09 | DAK83S-20 | I | 20 | RED |
| M81969/18-01 | DAK123A | I | 16/20 | GRN |
| M81969/18-02 | DAK123-22A | I | 22 | GOLD |
| M81969/19-01 | DRK16B | R | 16 | BLU |
| M81969/19-02 | DRK12B | R | 12 | YEL |
| M81969/19-03 | DRK56-8B | R | 8 | RED |
| M81969/19-04 | DRK56-4B | R | 4 | BLU |
| M81969/19-05 | DRK56-0B | R | 0 | YEL |
| M81969/19-06 | DRK20B | R | 20 | RED |
| M81969/19-07 | DRK20A | R | 20 | RED |
| M81969/19-08 | DRK16A | R | 16 | BLU |
| M81969/19-09 | DRK12A | R | 12 | YEL |
| M81969/19-10 | DHK20A | R | 20 | RED |
| M81969/19-11 | DHK16A | R | 16 | BLU |
| M81969/20-01 | DRK124A | R | 16 | GRN |
| M81969/20-02 | DRK124-22A | R | 22 | N/A |
| M81969/21-01 | DHK368 | I/R | 16 | N/A |
| M81969/22-01 | DRK222 | R | 16 | N/A |
| M81969/23-01 | DAK1-16P-S | I | 16 | N/A |
| M81969/23-02 | DAK1-16S-S | I | 16 | N/A |
| M81969/27-01 | DRK178-1A | R | 4/0 | N/A |
| M81969/27-02 | DRK178-2A | R | 2/0 | N/A |
| M81969/27-03 | DRK178-3A | R | 1/0 | N/A |
| M81969/27-04 | DRK178-4A | R | 2 | N/A |
| M81969/27-05 | DRK178-5A | R | 4 | N/A |
| M81969/27-06 | DRK178-6A | R | 6 | N/A |
| M81969/28-01 | DRK310 | R | COAX | N/A |
| M81969/28-02 | DRK337 | R | 12 | N/A |
| M81969/28-03 | DRK656 | R | 8 | N/A |
| M81969/29-01 | CIET16-9 | R | 16 | BLU |
| M81969/28-02 | DRK337 | R | 12 | N/A |

MIL-I-81969 Tool Part Number Guide

| MILITARY P/N | DMC P/N | INSTALLATION OR REMOVAL | SIZE | COLOR CODE |
|---------------|--------------|-------------------------|------|------------|
| M81969/28-03 | DRK656 | R | 8 | N/A |
| M81969/29-01 | CIET16-9 | R | 16 | BLU |
| M81969/29-02 | M81969/14-06 | R | 8 | RED |
| M81969/29-03 | M81969/14-07 | R | 4 | BLU |
| M81969/29-04 | M81969/14-08 | R | 0 | YEL |
| M81969/30A-01 | DRK130-22A | R | 22 | YEL |
| M81969/30A-02 | DRK130-20A | R | 20 | RED |
| M81969/30A-03 | DRK130-16A | R | 16 | BLU |
| M81969/30A-04 | DRK130-12A | R | 12 | YEL |
| M81969/30A-05 | DRK110-20 | R | 20 | RED |
| M81969/30A-06 | DRK110-16 | R | 16 | BLU |
| M81969/30A-07 | DRK110-12 | R | 12 | YEL |
| M81969/30B-01 | DRK501B | R | 22 | BLK/YEL |
| M81969/30B-02 | DRK502B | R | 20 | BLK/RED |
| M81969/30B-03 | DRK503B | R | 16 | BLK/BLU |
| M81969/30B-04 | DRK504B | R | 12 | BLK/YEL |
| M81969/30B-05 | DRK505B | R | 20 | SIL/RED |
| M81969/30B-06 | DRK506B | R | 16 | SIL/BLU |
| M81969/30B-07 | DRK507B | R | 12 | SIL/YEL |
| M81969/30B-08 | DRK508B | R | 22D | BRN/BRN |
| M81969/30B-09 | DRK509B | R | 22M | BRN/YEL |
| M81969/30B-10 | DRK510B | R | 22 | BRN/GRN |
| M81969/30B-11 | DRK511B | R | 20 | BRN/RED |
| M81969/30B-12 | DRK512B | R | 16 | BRN/BLU |
| M81969/30B-13 | DRK513B | R | 12 | BRN/YEL |

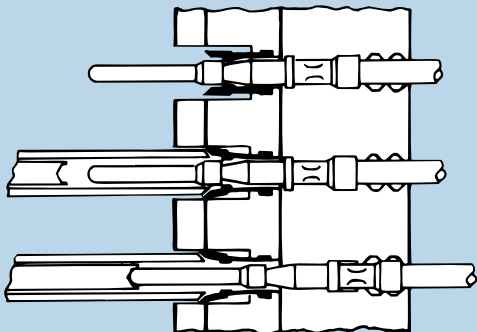
| MILITARY P/N | DMC P/N | INSTALLATION OR REMOVAL | SIZE | COLOR CODE |
|---------------|--------------|--------------------------|------------------|------------|
| M81969/30B-19 | DRK519B | R | UNWIRED TOOL SET | |
| M81969/30B-20 | DRK520B | R | HANDLE | |
| M81969/30B-21 | DRK521B | R | 22 | YEL |
| M81969/30B-22 | DRK522B | R | 20 | RED |
| M81969/30B-23 | DRK523B | R | 16 | BLU |
| M81969/30B-24 | DRK524B | R | 12 | YEL |
| M81969/30B-25 | DRK525B | R | 20 | RED |
| M81969/30B-26 | DRK526B | R | 16 | BLU |
| M81969/30B-27 | DRK527B | R | 12 | YEL |
| M81969/30B-28 | DRK528B | R | 22D | BRN |
| M81969/30B-29 | DRK529B | R | 22M | YEL |
| M81969/30B-30 | DRK530B | R | 22 | GRN |
| M81969/30B-31 | DRK531B | R | 20 | RED |
| M81969/30B-32 | DRK532B | R | 16 | BLU |
| M81969/30B-33 | DRK533B | R | 12 | YEL |
| M81969/30B-34 | DRK534B | UNWIRED REMOVAL TOOL SET | | |
| M81969/30B-35 | DRK535B | UNWIRED REMOVAL TOOL SET | | |
| M81969/30B-36 | DRK536B | UNWIRED REMOVAL TOOL SET | | |
| M81969/33-01 | DAK55-22SA | I | 22 | RED |
| M81969/33-02 | DAK55-22JA | I | 22 | RED |
| M81969/34-01 | DRK56-22A | R | 22 | RED |
| M81969/39-01 | M81969/39-01 | I/R | 20 | GRN/WHT |

ABBREVIATIONS

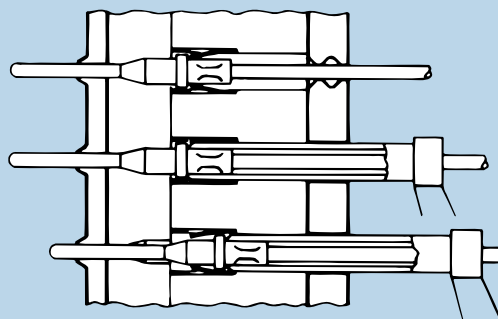
I – Installation Tool
R – Removal Tool

I/R – Installation and Removal Tool
N/A – Not Available

TYPICAL FRONT RELEASE CONTACT



TYPICAL REAR RELEASE CONTACT



Plastic Installing and Removal Tool Part Number Guide

| PLASTIC INSTALLATION & REMOVAL TOOLS | | | SIZE | APPLICATION | EQUIVALENT METAL TOOL | |
|--|---|------------------------------|---------------|------------------------------|-------------------------|----------|
| MILITARY P/N | MANUFACTURERS P/N | COLOR CODE | | | | |
| MIL-DTL-83723 All Plastic Tools | 83723/31-12 | Yellow - Ins. | | 83723 | DAK83-12B | |
| | | White - Rem. | | 83723 | DRK83-12B | |
| | 83723/31-16 | Blue - Ins. | | 83723 | DAK83-16B | |
| | | White - Rem. | | 83723 | DRK83-16B | |
| | 83723/31-20 | Red - Ins. | | 83723 | DAK83-20B | |
| | | White - Rem. | | 83723 | DRK83-20B | |
| | 83723/31-22 | Brown - Ins. | | 83723 | DAK95-22S | |
| | | White - Rem. | | 83723 | DRK95-22S | |
| | 83723/31-22D | Black - Ins. | | 83723 | DAK95-22MS | |
| | | White - Rem. | | 83723 | DRK95-22MS | |
| | MIL-I-81969 * Plastic body with metal tips | M81969/1-01* | Green - Ins. | 22 | MIL-DTL-24308 | DAK2666J |
| | | | White - Rem. | | MIL-DTL-81659 Series II | DRK2666J |
| M81969/1-02* | | Red - Ins. | 20 | MIL-DTL-24308 | DAK145 | |
| | | White - Rem. | | MIL-DTL-81659 Series II | DRK145 | |
| M81969/1-03* | | Blue - Ins. | 16 | MIL-DTL-81659 Series II | DAK83-16B | |
| | | White - Rem. | | | DRK83-16B | |
| M81969/1-04* | Green - Ins. | 22D | MIL-DTL-24308 | DAK95-22MB | | |
| White - Rem. | | | DRK95-22MB | | | |
| MIL-I-81969 All Plastic Tools | M81969/14-01 | Green - Ins. White - Rem. | 22D | MIL-PRF-38999 | DAK95-22MB | |
| | | | | MIL-DTL-24308 | DRK95-22MB | |
| | | | | MIL-DTL-83733 | | |
| | | | | MIL-T-81714 | | |
| | | | | MIL-C-55302/68/69 | | |
| | | | | | | |
| | M81969/14-02 | Red - Ins. White - Rem. | 20 | MIL-PRF-38999 | DAK95-20B | |
| | | | | | DRK95-20B | |
| | | | | MIL-DTL-26482 Series II | DAK83-20B | |
| | | | | MIL-C-81703 Series III | DRK83-20B | |
| | | | | MIL-DTL-83723 Series I & III | | |
| | | | | | | |

| PLASTIC INSTALLATION & REMOVAL TOOLS | | | SIZE | APPLICATION | EQUIVALENT METAL TOOL |
|--------------------------------------|------------------------------|-------------------------------|----------------------------|----------------------------|-----------------------|
| MILITARY P/N | MANUFACTURERS P/N | COLOR CODE | | | |
| MIL-I-81969 All Plastic Tools | M81969/14-02 | Red - Ins. | 20 | MIL-DTL-83733 | |
| | | White - Rem. | | MIL-T-81714 (Size 20 & 22) | |
| MIL-I-81969 All Plastic Tools | M81969/14-03 | Blue - Ins. White - Rem. | 16 | MIL-PRF-38999 | DAK95-16B |
| | | | | | DRK95-16B |
| | | | | AS50151 (MS3450 Series) | DAK83-16B |
| | | | | MIL-DTL-26482 Series II | DRK83-16B |
| | | | | MIL-C-81703 Series III | |
| | | | | MIL-DTL-83723 | |
| | | | | MIL-T-81714 | |
| | | | | MIL-DTL-83733 | |
| | MIL-DTL-81659 | | | | |
| | M81969/14-04 | Yellow - Ins. White - Rem. | 12 | MIL-PRF-38999 | DAK95-12B |
| | | | | | DRK95-12B |
| | | | | AS50151 (MS3450 Series) | DAK83-12B |
| MIL-C-81703 Series III | | | | DRK83-12B | |
| MIL-T-81714 Series III | | | | | |
| MIL-DTL-83723 | | | | | |
| MIL-DTL-83723 | | | | | |
| MIL-DTL-26482 Series II | | | | | |
| MIL-DTL-81659 | | | | | |
| M81969/14-05 | Gray - Ins. White - Rem. | 10 | MIL-PRF-38999 | DAK95-10B | |
| | | | | DRK95-10B | |
| M81969/14-06 | Red - Rem. | 8 | AS50151 | DRK250-8 | |
| M81969/14-07 | Blue - Rem. | 4 | AS50151 | DRK250-4 | |
| M81969/14-08 | Yellow - Rem. | 0 | AS50151 | | |
| M81969/14-09 | Brown - Ins. White - Rem. | 22 | MIL-C-55302/169, /171 only | DAK95-22S | |
| | | | | DRK95-22S | |
| M81969/14-10 | Red - Ins. Orange - Rem. | 20 | MIL-PRF-38999 | DAK95-20B | |
| | | | | DRK95-20B | |

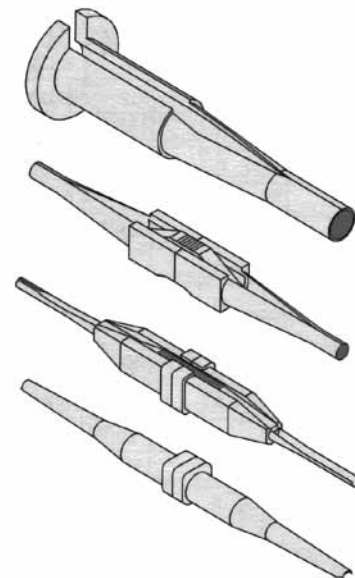
Verify QPL status (if required) at time of purchase.

| PLASTIC INSTALLATION & REMOVAL TOOLS | | | SIZE | APPLICATION | EQUIVALENT METAL TOOL |
|--------------------------------------|-------------------|----------------------------|--------------------|------------------------------|-----------------------|
| MILITARY P/N | MANUFACTURERS P/N | COLOR CODE | | | |
| MIL-I-81969 All Plastic Tools | M81969/14-11 | Red - Ins. White - Rem. | 20 | MIL-DTL-26482 Series II | DAK83-20B |
| | | | | MIL-C-81703 Series III | DRK83-20B |
| | | | | MIL-DTL-83723 Series I & III | |
| | | | | MIL-DTL-83733 | |
| | | | | MIL-T-81714 (Size 20 & 22) | |
| | M81969/14-12 | Green - Rem. | 8 | MIL-PRF-38999 | DRK264-8 |
| | M81969/29-01 | Blue - Rem. | 16 | AS50151 | DRK83-16B |
| | M81969/29-02 | Red - Rem. | 8 | AS50151 | DRK250-8 |
| | M81969/29-03 | Blue - Rem. | 4 | AS50151 | DRK250-4 |
| | M81969/29-04 | Yellow - Rem. | 0 | AS50151 | DRK250-0 |
| M81969/29 All Plastic Tools | MS3165-0 | | | AS50151 | DRK250-0 |
| | MS3165-4 | | | AS50151 | DRK250-4 |
| | MS3165-8 | | | AS50151 | DRK250-8 |
| M81969/14 All Plastic Tools | MS27534-12 | White - Rem. | | MIL-PRF-38999 | DRK95-12B |
| | | Yellow - Ins. | | MIL-PRF-38999 | DAK95-12B |
| | MS27534-16 | White - Rem. | | MIL-PRF-38999 | DRK95-16B |
| | | Blue - Ins. | | MIL-PRF-38999 | DAK95-16B |
| | MS27534-20 | White - Rem. | | MIL-PRF-38999 | DRK95-20B |
| | | Red - Ins. | | MIL-PRF-38999 | DAK95-20B |
| | MS27534-22 | White - Rem. | | MIL-PRF-38999 | DRK95-22B |
| | | Brown - Ins. | | MIL-PRF-38999 | DAK95-22B |
| | MS27534-22D | White - Rem. | | MIL-PRF-38999 | DRK95-22MB |
| | | Black - Ins. | | MIL-PRF-38999 | DAK95-22MB |
| | MS27534-22M | White - Rem. | | | DRK95-22MB |
| | | Black - Ins. | | MIL-PRF-38999 | DAK95-22MB |
| | NAS 1664-12 | Yellow - Ins. | | NAS 1599 Connector | DAK83-12B |
| | | White - Rem. | | NAS 1599 Connector | DRK83-12B |
| | NAS 1664-16 | Blue - Ins. | | NAS 1599 Connector | DAK83-16B |
| | White - Rem. | | NAS 1599 Connector | DRK83-16B | |
| NAS 1664-20 | Red - Ins. | | NAS 1599 Connector | DAK83-20B | |
| | White - Rem. | | NAS 1599 Connector | DRK83-20B | |

PLASTIC TOOLS VS. DMC METAL TOOLS

Plastic tools are used throughout the industry. DMC's policy is to give our customers the greatest savings for the best quality tools we manufacture metal tools, although initially more costly, offer a quality product and a lower tooling cost in servicing electrical connectors. Please refer to our cross-reference lists for any plastic to metal replacement equivalents you may need.

The tools are available in two basic lengths with a metal or plastic insertion foot.



Contact Retention Test Tools for Power Contacts



Typical application showing tool testing pin contacts.

The quality assurance test most often overlooked is contact retention (proper seating of power contacts). This important test can now be performed simply and in a matter of seconds with the DMC retention testing tools for power contacts.

These tools are for checking the retention of pins and sockets in electrical connectors. The tester pin and socket tips are aluminum. All tips are replaceable. A nylon hand protector is provided with each tool. The tools can be preset at the factory to your request.

Insert tester into or over a contact so that the tester and contact are in a straight line. Hold in this position throughout the test. Use pin end with a socket contact and the socket end with a pin contact.

Apply pressure to tester until the indicator band is covered by the slide. If contact is still firmly retained, the retention is satisfactory.

| TOOL PART NUMBER | RANGE POUNDS |
|------------------|----------------|
| HT250-1 | 1.5 THRU 3.0 |
| HT250-2 | 3.2 THRU 5.5 |
| HT250-3 | 4.0 THRU 8.0 |
| HT250-4 | 7.0 THRU 18.0 |
| HT250-5 | 17.0 THRU 25.0 |
| HT250-6 | 24.0 THRU 40.0 |

Notice: The above part numbers apply to retention tools only (less tips). All tips must be purchased under separate part number.

| CONTACT SIZE | COLOR CODE | SOCKET TESTER | PIN TESTER |
|--------------|------------|---------------|------------|
| 8 | Red | 67-008-01 | 68-008-01 |
| 12 | Yellow | 67-012-01 | 68-012-01 |
| 16 | Blue | 67-016-01 | 68-016-01 |
| 20 | Red | 67-020-01 | 68-020-01 |
| 22, 22M, 22D | Brown | 67-022-01 | 68-022-01 |
| 23 | Black | 67-023-01 | 68-023-01 |
| 24 | Gold | 67-024-01 | 68-024-01 |
| 26 | Green | 67-026-01 | 68-026-01 |

Notice: Not for use with coax or triax contacts.

CONTACT RETENTION TEST TOOL CALIBRATION EQUIPMENT

The RTCG-75 Retention Tester Calibration Gage is supplied to support in-house calibration of DMC HT250 Series Retention Testers. It incorporates the latest Alphasatron® digital test technology, and is self-contained and portable.

The tester is supplied in a protective case with calibration certificate to NIST (accuracy 0.5% full scale to 75 pounds force).



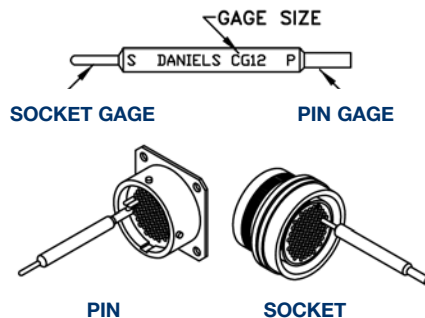
CONTACT GAGES

Contact Gages are used to determine the size of a contact's mating end (sizes 12-22) which then aids in selecting the proper installation and/or removal tooling.

Gage size of a contact is determined by matching a contact gage with the contact mating end and noting the size of the best fitting gage. To gage pins, start with the smallest gage and work your way up the scale; the first gage that fits over the pin is the size of that pin. To gage sockets, start with the largest gage and work your way down the scale; the first gage that fits inside the socket is the size of that socket.

The gage sizes are stamped on the tool and all contact gages are color coded for correct size identification. The gage end used for measuring socket contacts is marked with an "S". And the gage end used for measuring pin contacts is marked with a "P".

CAUTION: These tools are not to be used as a pin straightener.



| P/N | SIZE | COLOR |
|------|------|--------|
| CG12 | 12 | YELLOW |
| CG16 | 16 | BLUE |
| CG20 | 20 | RED |
| CG22 | 22 | BRONZE |



Connectors may contain several different size contacts.

Unwired Contact Removal Tools (M81969/30)

PLASTIC-PROBE UNWIRED CONTACT REMOVAL TOOLS

Removing unwired contacts can be difficult. It is very important not to damage the interfacial seal and/or connector insert when removing an unwired contact.

M81969/30 Series Plastic Probe Tools are ideal for removing unwired contacts from connectors. As the plastic probe slides into the connector, it disengages the contact locking mechanism and stretches over the contact, gripping it securely in the plastic probe.

Different colored tool probes and probe bands are used to distinguish between series and contact sizes.



| PLASTIC-PROBE UNWIRED CONTACT REMOVAL TOOLS | | | | | |
|---|--|-------------------|------------|-------------|------------------|
| TOOL PART NUMBER | CONNECTOR SERIES | PROBE PART NUMBER | PROBE SIZE | PROBE COLOR | PROBE BAND COLOR |
| DRK50 | AS50151 Series MS3450 | DRK50-16-2 | 16 | Blue | Green |
| | | DRK50-12-2 | 12 | Yellow | Green |
| DRK105 | MIL-PRF-38999 Series 1 - 4 MIL-DTL-24308 MIL-DTL-55302/68 MIL-DTL-55302/71 MIL-DTL-55302/75 MIL-DTL-83733 (size 22D only) | DRK105-22M-2 | 22D/22M | Yellow | Brown |
| | | DRK105-22-2 | 22 | Green | Brown |
| | | DRK105-20-2 | 20 | Red | Brown |
| | | DRK105-16-2 | 16 | Blue | Brown |
| | | DRK105-12-2 | 12 | Yellow | Brown |
| DRK110 | MIL-DTL-83733 (except size 22D) MIL-DTL-83723 Series 3 MIL-DTL-26482 Series 2 MIL-C-81511 (class "L" only) | DRK110-20-2 | 20 | Red | Silver |
| | | DRK110-16-2 | 16 | Blue | Silver |
| | | DRK110-12-2 | 12 | Yellow | Silver |
| DRK130 | MIL-C-81511 Series 3 & 4 (except class "L") | DRK130-22-2 | 22 | Yellow | Black |
| | | DRK130-20-2 | 20 | Red | Black |
| | | DRK130-16-2 | 16 | Blue | Black |
| | | DRK130-12-2 | 12 | Yellow | Black |

METAL-PROBE UNWIRED CONTACT AND BROKEN WIRE REMOVAL TOOLS

When a wire breaks inside the connector the remaining wire strands can damage the plastic tips of DMC's standard unwired contact removal tools. To solve this problem, DMC engineered the DRK276 series of metal tip removal tools for removing broken wire contacts.

Instead of different colored probes and bands, the DRK276 series removal tools have different colored tool bodies to help distinguish between tip sizes.



| METAL-PROBE UNWIRED CONTACT REMOVAL TOOLS | | | |
|---|------------------|------------|------------|
| CONNECTOR SERIES | TOOL PART NUMBER | PROBE SIZE | BODY COLOR |
| MIL-PRF-38999 Series 1 - 4 | DRK276-12 | 12 | Yellow |
| | DRK276-16 | 16 | Blue |
| | DRK276-20 | 20 | Red |
| | DRK276-22 | 22 | Brown |
| | DRK276-22M | 22M | Green |
| | DRK276-22D | 22D | Black |

BETA Backshell Accessory Torque Tools



DMC offers a complete line of Adapter Tools and Torque Tools for holding and torquing circular connectors during the installation and removal of accessories (backshell, strain relief, or EMI/RFI shielding hardware).

The evolution of circular connectors has produced many mechanical configurations which have more precise dimensional tolerances and electrical characteristics than any other mechanical

component used in modern electrical systems. The associated tooling must meet the same level of precision to apply the connector to its intended purpose. Until now, very little attention has been focused on the tooling which is used to mount strain-relief backshells and other accessories to wired connector assemblies. This is why the BETA Connector Mate® system was developed.

This unique concept is based upon adaptor tools which are configured to mate with a specific connector series and shell size regardless of keying arrangement. They may be used simply as hand holding devices for easy tightening, or, for more exact requirements, DMC offers a wide variety of circular wrenches, strap wrenches, torque meters, and vises which can be used in a variety of combinations.

Visit our web site at www.DMCTools.com/Catalog/BETA.htm or ask for our BETA catalog.





THE PNEUMATIC BAND APPLICATION TOOL...

is a cost effective system that speeds production and improves ergonomic conditions which are present when manual tools are used. Band tension is precisely applied by a dependable pneumatic system which is consistent and repeatable.

The tension system of the pneumatic band tool is adjustable, and can be checked by use of the verification devices available from DMC. (See pages 68-69.)

The cutter blade and other components of the DMC Pneumatic Band tools are interchangeable with the same series hand tools. The rugged design and field replaceable blades make the PBT/PMBT series the best choice for production applications where EMI/RFI bands are used to terminate wire harness shielding.

The termination of EMI/RFI shielding materials is a specialized science in today's aerospace wiring systems. Application tooling is a critical factor in the overall performance of the wiring system components.

DMC has worked closely with the world's leading connector accessory manufacturers to develop the necessary tooling and accessories to meet the stringent demands of aerospace and defense system contractors. The resulting products afford the user many benefits which include:

COMPATIBILITY with all currently available termination bands and systems.

RELIABILITY through the use of commercially proven components and tool design practice.

QUALITY and **REPEATABILITY** which are assured by a tension system.

SERVICE AND CALIBRATION – All tools produced by DMC are adjustable, and may be easily checked and set by the user. Also, expendable components such as cut-off blades are available for simple replacement by the user.

LONG SERVICE LIFE – Properly maintained band application tools will produce thousands of reliable terminations.

AFFORDABILITY – DMC tools continue to be the most cost effective method to produce reliable wiring system shield terminations.

Models are available for .250 in. (6.350 mm) and .125 in. (3.175 mm) wide bands from all current suppliers to M85049/128.

THE HAND OPERATED BAND APPLICATION TOOL (REFERENCE AS81306/2)

is an excellent choice for many production and maintenance operations. Like the power driven models, they too can be calibrated by the user to provide reliable terminations throughout the service life.

The lightweight construction and small "nose" profile enable the user to apply termination bands in even the tightest of working areas.

ONE-STEP BANDING TOOL SYSTEM

DMC's One-Step Banding Tools are compatible with M85049/128-03, M85049/128-04, M85049/128-07 and M85049/128-08 bands. These tools tension, fold, and cut the band.

Contact DMC for One-Step Tool information and part numbers.



One-Step tool application

TWO-STEP BANDING TOOL SYSTEM

DMC's Two-Step Banding Tools are compatible with all currently available bands. These tools tension and cut the band and leave an extended cut off tab. The second step provides an extra level of security by utilizing a roll-over tool to bend the cut off tab over a full 180 degrees.

The hand tools meet the requirements of AS81306/2-01 and AS81306/2-02.



Two-Step tool application

Two-Step Banding Tool System



DBS-1100 & DBS-1200 (M81306/2-01 & M81306/2-02) HAND OPERATED BAND APPLICATION TOOLS

The DBS series Hand Actuate Tools (AS81306/2) are designed to apply all currently available AS85049/128 bands. These tools are constructed to survive the demands of production and maintenance use, and remain precisely adjusted to provide a quality band termination.

The tension-lock system gives the operator a positive indication when the precise tension has been reached.

DBS-1100 .250 Wide Band Application Tool:

- Size and Weight: 5.5" x 7.5", .36 lbs.
- Tension Range: 140–160 lbs.
- Cut-off blade: replaceable with DBS-1100-7

DBS-1200 .125 Wide Mini-Band Application Tool:

- Size and Weight: 5.5" x 7.5", .52 lbs.
- Tension Range: 80–100 lbs.
- Cut-off blade: replaceable with DBS-1100-7



PMBT1200 PNEUMATIC BAND APPLICATION TOOLS

The PBT1100 & PMBT1200 series Pneumatic Band Application Tools are lightweight, dependable, and easy to operate. Many of the components are interchangeable with the corresponding hand tool.

DMC's Pneumatic Two-Step Banding Tools are compatible with all currently available bands to M85049/128.

PBT1100 .250 Wide Band Application Tool

- Size and Weight: 8.75" L, 1.52 lbs.
- Calibration Range: 140–160 lbs.
- Hose Length: 10 foot
- Cut-off blade: replaceable with DBS-1100-7

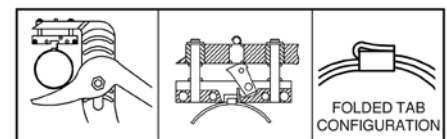
PMBT1200 .125 Wide Mini-Band Application Tool

- Size and Weight: 8.75" L x 1.52 lbs.
- Calibration Range: 80–100 lbs.
- Hose Length: 10 foot
- Cut-off blade: replaceable with DBS-1100-7



DBS-RO3 ROLL-OVER FOR .250 WIDE BANDS APPLICATION TOOL

The DMC Roll-Over Tool (Part No. DBS-RO3) is used to fold the extended band tab securely over the buckle. Experts agree that the "folded tab" method assures maximum strength and reliability. Like other DMC Band Application Tools, the Roll-Over Tool is compatible with all currently available bands.



DMC also provides the DBS-RO5 Roll-Over Tool for use with .125 wide Mini-Bands. This tool is similar to the DBS-RO3 in overall size and shape.

DBS-1100 &

VERIFICATION OF TWO-STEP EMI/RFI BAND TOOLS

All the DMC Hand and Pneumatic Band Application Tools may be calibrated to insure correct band tension. The DBS-CG1 Laboratory Calibration Instrument will allow the operator to measure the exact tension produced by the tool.

A short piece of unused band material is fed into the tool far enough to fully engage the gripping mechanism. The other end is then inserted and latched into the DBS-CG1. Full tension is exerted by the tool and read directly on the precision dial indicator portion of the DBS-CG1. Simple adjustments can be made to the tool as needed. A quick release mechanism is provided to allow the operator to easily remove the tool from the DBS-CG1. A free

standing holding fixture is available (DBS-CG1-F) to aid the calibration process by securing the DBS-CG1 and banding tool in place.

Field Verification Fixtures and Go/No-Go Gages were developed to allow the user a quick means of tool tension in the field. A band is placed into the calibration fixture. The band is drawn through the tool until the nose of the banding tool is firmly against the field verification fixture. Once the full banding pressure has been applied, insert the "GO" side of the Gage into the verification slot of the field verification fixture. If it does not insert freely, the tool is exerting excessive force. Likewise, if the NO-GO probe freely enters the verification slot, the tool requires adjustment.



Band Application System Part Numbers

| TWO-STEP APPLICATION TOOLS, ACCESSORIES AND COMPONENTS | |
|--|---|
| .250 STANDARD WIDTH BAND TOOLS | |
| DBS-1100 | AS81306/2-XX Hand Operated Band Tool |
| DBS-1101 | Hand Operated Band Application Tool Set (includes DBS-1100, DBS-R03) |
| DBS-1102 | Hand Operated Band Application Tool Set (includes DBS-1100, DBS-R03, DBS-CG2 & G691) |
| DBS-1100-32 | Tension Adjustment Key |
| DBS-1100-7 | AS81306/2-XX Replacement Blade for .250 Band Tools |
| DBS-R03 | Roll-Over Tool for .250 Band Tab |
| .125 WIDTH MINI-BAND TOOLS | |
| DBS-1200 | AS81306/2-XX Hand Operated Mini Band Tool |
| DBS-1201 | Hand Operated Mini Band Application Tool Set (includes DBS-1200, DBS-R05) |
| DBS-1202 | Hand Operated Mini Band Application Tool Set (includes DBS-1200, DBS-R05, DBS-CG3 & G752) |
| DBS-1100-7 | AS81306/2-XX Replacement Blade for .125 Band Tools |
| DBS-R05 | Roll-Over Tool for .125 Band Tab |
| PNEUMATIC BAND TOOLS FOR .250 WIDTH BANDS | |
| PBT1100 | Pneumatic Band Application Tool |
| PNEUMATIC BAND TOOLS FOR .125 WIDTH BANDS | |
| PMBT1200 | Pneumatic Band Application Tool |
| TOOL VERIFICATION INSTRUMENTATION | |
| DBS-CG1 | Laboratory Verification Instrument for 1100 & 1200 series band tools |
| DBS-CG1-F | DBS-CG1 Holding Fixture (Banding tool & DBS-CG1 not included) |
| DBS-CG2 | Field Verification Fixture for DBS-1100 |
| G691 | Go/No-Go Gage for DBS-CG2 Fixture |
| DBS-CG2A | AS81306/2-XX Verification Set which includes DBS-CG2 & G691 |
| DBS-CG3 | Field Verification Fixture for DBS-1200 |
| G752 | Go/No-Go Gage for DBS-CG3 Fixture |
| DBS-CG3A | AS81306/2-XX Verification Set which includes DBS-CG3 & G752 |
| BANDING APPLICATION KIT | |
| DMC1379 | AS81306/2-XX .250 Banding Tool Kit |
| DMC60A | Complete EMI/RFI Shielding Maintenance/Repair System (AS81306/2-XX .250 bands and tools) |

* Band can also be supplied curled (contact factory)

**The DMC Two Step Band Tools are recommended for Military systems use where multi-source band procurement limits the use of the One Step Tools. Consult DMC for details.

| AS85049/128 BAND IDENTIFICATION CHART | | | |
|---------------------------------------|------------------------|-------|-------------------|
| BAND P/N | CONFIGURATION | WIDTH | TERMINATE WITH |
| M85049/128-01 | Folded Buckle, Flat | .250 | 2 Step Only |
| M85049/128-02 | Folder Buckle, Curled | .250 | 2 Step Only |
| M85049/128-03 | Stamped Buckle, Flat | .250 | 1 or 2 Step Tools |
| M85049/128-04 | Stamped Buckle, Curled | .250 | 1 or 2 Step Tools |
| M85049/128-05 | Folded Buckle, Flat | .125 | 2 Step Only |
| M85049/128-06 | Folded Buckle, Curled | .125 | 2 Step Only |
| M85049/128-07 | Stamped Buckle, Flat | .125 | 1 or 2 Step Tools |
| M85049/128-08 | Stamped Buckle, Curled | .125 | 1 or 2 Step Tools |

| AS85049/128 TOOL IDENTIFICATION CHART | | | |
|---------------------------------------|--|-------|-------------|
| TOOL P/N | DESCRIPTION | WIDTH | DMC P/N** |
| AS81306/1-01 | 1 Step Band Tool | .250 | Consult DMC |
| AS81306/1-02 | 1 Step Band Tool | .125 | Consult DMC |
| AS81306/1-01A | Verification Inspection Gage | .250 | Consult DMC |
| AS81306/1-02B | Verification Inspection Gage | .125 | Consult DMC |
| AS81306/2-01 | 2 Step Band Tool | .250 | DBS-1100** |
| AS81306/2-02 | 2 Step Band Tool | .125 | DBS-1200** |
| AS81306/2-03 | Roll Over Tool | .250 | DBS-R03 |
| AS81306/2-04 | Roll Over Tool | .125 | DBS-R05 |
| AS81306/2-01A | Set: Verification Gage & Compression Fixture | .250 | DBS-CG1 |
| AS81306/2-02B | Set: Verification Gage & Compression Fixture | .125 | DBS-CG2 |

| BANDS & RINGS | |
|---------------|--|
| 4-1380 | M85049/128-1 .250 wide x 14.25" long EMI/RFI Band (Flat)* |
| 4-1553 | M85049/128-2 .125 wide x 14.25" long EMI/RFI Band (Precoiled)* |
| 4-1376 | .500 Dia. Split Ring Set |
| 4-1377 | .750 Dia. Split Ring Set |
| 4-1378 | 1.00 Dia. Split Ring Set |
| 4-1379 | 1.50 Dia. Split Ring Set |



The **DBS-CG1-F** holding fixture secures the laboratory calibration instrument and banding tool in place during calibration. This fixture only works with the DBS-CG1 Calibration Instrument. (Banding tools and DBS-CG1 are sold separately.)

MODELS: MH801, MH802, MH803, MH804, GS100-1 & GS200-1



When special conditions call for a new tool design, we make every effort to utilize the components of existing tools which have been proven reliable both in field use and controlled test programs.

Such is the case with this tool series. The design of certain shielded contacts requires two additional crimping operations. One for the shield crimp sleeve, the other for the outer body. All of the tools give a concentric circular crimp configuration required by certain shielded contacts to insure compatibility with connector inserts and installing or removal tools in rear release applications, and/or maintain consistent electric impedance. Thus an indenter pattern which conforms to the appropriate military drawing (see chart for specific part numbers) was adapted to our familiar standard and miniature tool frames. (Note: On the MH801, MH802, MH803, and MH804 tools, in addition to the four opposing indenters these tools also have four retainers which encompass the contact prior to the initiation of the crimping operation thus assuring concentricity.)

A full complement of positioners, inspection gages, and other accessories are available for these tool frames. The GS100-1 & GS200-1 tools are approximately 9 3/4" x 2 1/2" x 1 1/4" and weigh 15 oz each. The MH801, MH802, MH803, & MH804 tools are 6 3/4" in length and weigh approximately 10 oz each.

The technical section on pages 78 to 79 list the part numbers of standard M39029 contacts which require these tools; however, the concept may be adapted to other applications. Consult factory for specific details.

Pneumatic versions of these tools are also available. See page 12 or our Web site for details.

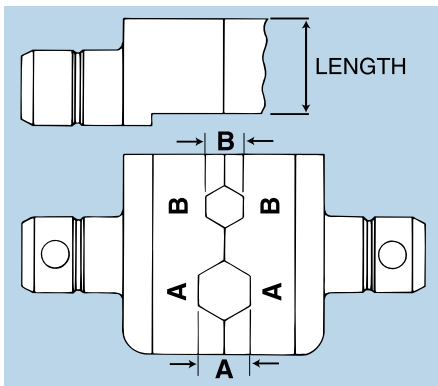
| MILITARY P/N | DMC P/N | DESCRIPTION | NSN | PURPOSE |
|--------------|----------|-------------------------|------------------|--------------------------------------|
| M22520/4-01 | GS100-1 | TOOL FRAME | 5120-01-335-8576 | |
| M22520/4-02 | GP295 | POSITIONER | 5120-01-335-8640 | MIL-C-39029/76 Pin, /77 Skt, /78 Skt |
| | GS100 | TOOL FRAME & POSITIONER | | |
| M22520/3-2 | G120 | GAGE | 5220-00-116-1911 | |
| | WA27T | PNEUMATIC TOOL FRAME | | |
| M22520/31-01 | GS200-1 | TOOL FRAME | 5120-01-335-8577 | |
| M22520/31-02 | G2P330 | POSITIONER | 5120-01-416-4799 | MIL-C-39029/27 Skt, /28 Pin, /75 Skt |
| | GS200 | TOOL FRAME & POSITIONER | 5120-00-117-4709 | |
| M22520/3-15 | G443 | GAGE | 5220-01-518-3433 | |
| | WA27R | PNEUMATIC TOOL FRAME | | |
| M22520/19-01 | MH801 | TOOL FRAME | 5120-00-124-3490 | |
| M22520/19-02 | D16P-1M | POSITIONER | 5120-00-124-3351 | MIL-C-39029/19 Pin, |
| M22520/19-03 | D16S-1M | POSITIONER | 5120-00-124-3341 | MIL-C-39029/21 Skt |
| M22520/19-04 | D16LS-1M | POSITIONER | 5120-01-335-8644 | MIL-C-39029/20 Skt |
| M22520/3-4 | G256 | GAGE (INDENTERS) | -- | |
| M22520/3-5 | G257 | GAGE (RETAINERS) | -- | |
| M22520/20-01 | MH802 | TOOL FRAME | 5120-00-124-3469 | |
| M22520/20-02 | D16/1-1M | POSITIONER | 5120-00-124-3147 | MIL-C-39029/19 Pin, 21 SKT |
| M22520/20-03 | D16/2-1M | POSITIONER | 5120-00-124-3142 | MIL-C-39029/20 Skt, 21 Skt |
| M22520/3-6 | G258 | GAGE (RETAINERS) | -- | |
| M22520/21-01 | MH803 | TOOL FRAME | 5120-00-124-3484 | |
| M22520/21-02 | D12P-1M | POSITIONER | 5120-00-124-3381 | MIL-C-39029/19 Pin |
| M22520/21-03 | D12S-1M | POSITIONER | 5120-00-124-3384 | MIL-C-39029/21 Skt |
| M22520/21-04 | D12LS-1M | POSITIONER | 5120-00-124-3422 | MIL-C-39029/20 Skt |
| M22520/3-7 | G259 | GAGE (RETAINERS) | -- | |
| M22520/22-01 | MH804 | TOOL FRAME | 5120-00-124-3487 | |
| M22520/22-02 | D12/1-1M | POSITIONER | 5120-01-335-8650 | MIL-C-39029/19 Pin, /21 Skt |
| M22520/22-03 | D12/2-1M | POSITIONER | 5120-00-124-3458 | MIL-C-39029/20 Skt |
| M22520/3-8 | G260 | GAGE (RETAINERS) | | |

Open Frame Crimp Tools

M22520/5-01 (HX4) M22520/10-01 (HX3)

The DMC HX4 and HX3 series crimp tools feature a system of interchangeable dies which eliminate the need for separate fixed die crimp tools for each and every different application. Many maintenance and production organizations have standardized on one of these models, thus eliminating the cost associated with maintaining and calibrating bulky inventories of single purpose, dedicated tools.

TYPICAL DIE SET



Tremendous flexibility and cost advantages exist with this crimping system due to the wide variety of military and proprietary interchangeable dies available for these tool frames. As new requirements evolve, a new set of dies is all that's required to meet the demand.

Crimping dies are snapped into the tool frame and retained in place by internal spring clips. They may be permanently secured, if desired, by pressing a roll pin into the holes provided.

The tool frames are equipped with a positive ratchet assembly which controls complete handle movement in both directions.

Hexagonal crimp dies are available in a variety of combinations having single, double, and even triple cavity design. These dies accommodate most coaxial and triaxial connectors and contacts conforming to MIL-DTL-39012, AS39029, and numerous proprietary configurations. Other designs are available for coaxial connections requiring different termination techniques.

Dies in various crimp patterns are also available for insulated and uninsulated terminal lugs, wire splices and end caps relating to M7928, MS17143, MS25036, MS25181, MS27429, MS25274, MS20659, M81824, MS21003 through MS21015, and commercial part numbers. Several power contacts too large for conventional hand tools are also covered by interchangeable dies for the standard tool frame (HX4).

If your application requirement is not already covered by one of our standard dies our engineering department will be pleased to discuss a design to suit your needs.

The HX4 is 11" in length and weighs approximately 21 oz. The HX3 is 9" in length and weighs 11 oz.

DMC169A (M83521/7-01) & DMC169 (M83507/9-01) TOOL KITS

The DMC169A and DMC169 tool kits consist of an HX4, Blade Micrometer, and 27 die sets. Each tool kit covers Mil-Spec shielding ferrules (MS21980/MS21981) and Mil-Spec coaxial contacts (M39029/6/13/14, M39029/7/8, M83733/13/14 and ON089558).



Open Frame Crimp Tool Part Numbers

| DIE P/N | | | DIE CLOSURE DIMENSIONS | | | |
|-----------|--------------|---------------------------|----------------------------------|--------|--------|--------|
| DMC P/N * | MILITARY P/N | NATIONAL STOCK NO. N.S.N. | A HEX. | LENGTH | B HEX. | LENGTH |
| HX4 | M22520/5-01 | 5120-01-335-8575 | Standard Crimp Tool Frame | | | |
| Y200P | M22520/5-02 | 5120-01-335-8244 | .091 | .090 | .068 | .270 |
| Y196 | M22520/5-03 | 5120-01-335-8245 | .128 | .325 | .105 | .325 |
| Y152 | M22520/5-04 | 5120-01-335-8246 | .138 | .090 | .118 | .270 |
| Y197 | M22520/5-05 | 5120-01-335-8247 | .213 | .325 | .178 | .325 |
| Y203 | M22520/5-06 | 5120-01-335-8248 | .128 | .094 | | |
| Y195 | M22520/5-07 | 5120-01-335-8249 | .255 | .325 | | |
| Y215 | M22520/5-08 | 5120-01-335-8250 | .128 | .375 | | |
| Y204P | M22520/5-09 | 5120-01-335-8251 | .178 | .400 | .068 | .093 |
| Y189 | M22520/5-10 | 5120-01-335-8252 | .160 | .400 | | |
| Y205P | M22520/5-11 | 5120-01-335-8253 | .213 | .400 | .068 | .093 |
| Y206P | M22520/5-13 | 5120-00-133-0585 | .255 | .400 | .068 | .093 |
| Y207P | M22520/5-15 | 5120-01-335-8255 | .263 | .400 | .068 | .093 |
| Y193 | M22520/5-17 | 5120-00-133-0597 | .118 | .375 | | |
| Y142 | M22520/5-19 | 5120-01-335-8257 | .255 | .400 | .213 | .400 |
| Y149 | M22520/5-21 | 5120-01-335-8258 | .475 | .400 | | |
| Y145 | M22520/5-23 | 5120-01-335-8259 | .384 | .400 | | |
| Y110P | M22520/5-25 | 5120-01-335-8260 | .429 | .400 | .100 | .120 |
| Y151 | M22520/5-27 | 5120-01-335-8261 | .532 | .400 | | |
| Y109P | M22520/5-29 | 5120-01-335-8262 | .324 | .400 | .100 | .120 |
| Y150 | M22520/5-31 | 5120-01-335-8263 | .501 | .400 | | |
| Y136 | M22520/5-33 | 5120-01-335-8264 | .343 | .400 | .105 | .400 |
| Y137 | M22520/5-35 | 5120-01-335-8265 | .324 | .400 | .128 | .400 |
| Y138 | M22520/5-37 | 5120-01-335-8266 | .314 | .400 | .151 | .400 |
| Y139 | M22520/5-39 | 5120-01-335-8267 | .309 | .400 | .160 | .400 |
| Y140 | M22520/5-41 | 5120-01-335-8268 | .290 | .400 | .178 | .400 |
| Y141 | M22520/5-43 | 5120-01-335-8269 | .268 | .400 | .197 | .400 |
| Y143 | M22520/5-45 | 5120-01-335-8270 | .231 | .400 | .218 | .400 |
| Y144 | M22520/5-47 | 5120-01-335-8271 | .359 | .400 | | |
| Y146 | M22520/5-49 | 5120-00-133-0644 | .401 | .400 | | |
| Y147 | M22520/5-51 | 5120-00-116-3040 | .431 | .400 | | |
| Y148 | M22520/5-53 | 5120-01-335-8294 | .454 | .400 | | |
| Y102 | M22520/5-55 | 5120-01-335-8295 | .324 | .400 | | |

| DIE P/N | | | DIE CLOSURE DIMENSIONS | | | |
|-----------|---------------|---------------------------|--|--------|--------|--------|
| DMC P/N * | MILITARY P/N | NATIONAL STOCK NO. N.S.N. | A HEX. | LENGTH | B HEX. | LENGTH |
| Y209P | M22520/5-57 | 5120-01-335-8296 | .213 | .400 | .100 | .120 |
| Y208P | M22520/5-59 | 5120-01-335-8297 | .255 | .400 | .100 | .120 |
| Y178 | M22520/5-61 | 5120-01-335-8298 | .429 | .400 | | |
| Y314P | M22520/5-63 | 5120-01-335-8299 | .263 | .400 | .091 | .090 |
| Y501 | M22520/5-100 | 5120-00-126-0860 | Pre-Insulated Terminal Crimp 26-10 AWG | | | |
| Y527 | M22520/5-101 | 5120-01-335-8301 | Pre-Insulated Splice Crimp 26-20 AWG | | | |
| Y539 | M22520/5-102 | 5120-01-335-8302 | Splice Crimp 12-1 6 AWG | | | |
| Y540 | M22520/5-103 | 5120-01-335-8303 | Splice Crimp 16-26 AWG | | | |
| Y631 | M22520/5-105 | 5120-01-361-9554 | .218 | .307 | | |
| HX3 | M22520/10-01 | 5120-00-117-4830 | Miniature Crimp Tool Frame | | | |
| X115S | M22520/10-02 | 5120-01-335-8304 | .091 | .090 | .068 | .270 |
| X103 | M22520/10-03 | 5120-01-335-8305 | .255 | .325 | | |
| X123 | M22520/10-04 | 5120-01-335-8277 | .138 | .090 | .118 | .270 |
| X101 | M22520/10-05 | 5120-01-335-8278 | .128 | .325 | .105 | .325 |
| X125 | M22520/10-06 | 5120-01-335-8279 | .160 | .400 | | |
| X102 | M22520/10-07 | 5120-01-335-8280 | .213 | .325 | .178 | .325 |
| X140 | M22520/10-08 | 5120-01-335-8281 | .128 | .093 | | |
| X129 | M22520/10-09 | 5120-01-335-8282 | .118 | .327 | | |
| X136 | M22520/10-10 | 5120-01-335-8283 | .128 | .375 | | |
| X225 | M22520/10-11 | 5120-01-335-8284 | .105 | .400 | | |
| X118 | M22520/10-13 | 5120-01-335-8285 | .128 | .400 | | |
| X226 | M22520/10-15 | 5120-01-335-8286 | .151 | .400 | | |
| X149 | M22520/10-17 | 5120-01-335-8287 | .178 | .400 | | |
| X147 | M22520/10-19 | 5120-01-335-8288 | .197 | .400 | | |
| X144 | M22520/10-21 | 5120-01-335-8289 | .213 | .400 | | |
| X155 | M22520/10-23 | 5120-01-335-8290 | .218 | .400 | | |
| X156 | M22520/10-25 | | .231 | .400 | | |
| X187 | M22520/10-27 | 5120-01-335-8291 | .255 | .400 | | |
| X515 | M22520/10-100 | 5120-00-116-3286 | Terminal/Splice Crimp 12-10 AWG | | | |
| X511 | M22520/10-101 | 5120-00-116-2992 | Terminal/Splice Crimp 26-14 AWG | | | |
| X525 | M22520/10-102 | 5120-01-335-8274 | Terminal/Splice Crimp 26-20 AWG | | | |
| X527 | M22520/10-103 | 5120-00-124-3734 | Splice Crimp 16-12 AWG | | | |
| X528 | M22520/10-104 | 5120-01-335-8276 | Splice Crimp 26-16 AWG | | | |

* Die part numbers ending in "P" indicate that the die set has an alignment guide pin.

Battery Powered Hydraulic Open Frame Crimp Tools

GET THE PORTABILITY OF A HAND TOOL WITH THE STAMINA OF A POWER TOOL!

DMC is pleased to present our battery powered hydraulic tools to crimp copper and aluminum cable #26 to #8 AWG with DMC "Y" Dies (M22520/5-XX and others). These tools are comparable to DMC's HX4 hand tool and use the same Y-dies.

Working on today's electrical systems calls for increased mobility and repeatable, consistent crimping force. To satisfy this need, DMC offers a battery powered hydraulic crimp tool designed to integrate your current tooling systems. The ergonomic tool body helps reduce workplace injuries and eases operator fatigue keeping costs low and production high.

DMC battery powered tools have been engineered to work with our existing Y-die series and compliment our established crimp tools. And, as always, if we don't have a die to meet your needs, we'll engineer and manufacture it for you.

ADJUSTABLE DIES FOR INSULATED TERMINALS & SPLICES

| COLOR | SIZE | P/N |
|----------|-------|-------|
| Yellow | 12-10 | Y670 |
| Blue | 16-14 | Y671 |
| Red | 22-18 | Y672 |
| Yellow | 26-24 | Y678 |
| Red/Blue | 22-14 | Y1060 |

Adjustable Crimping Dies accept terminations which conform to AS7928, AS25036 (class 1 and 2) and other military or commercial specifications.

HXE4B

The HXE4B Battery Powered Hydraulic Open Frame Crimp Tool is a hand held, self-contained crimp tool. The crimp head, battery, and pump unit are contained in one ergonomic tool body and weighs about 4 pounds. It is comparable to DMC's HX4 hand tool and uses the same Y-dies. (See page 71 & 77)

HXE4AB

This tool is available with an optional spring loaded push rod to hold the product in the crimping position (dies normally closed). (P/N HXE4AB)

HXE4B



FEATURES

- Ergonomic design allows one-handed operation
- Die automatically opens when crimp is complete
- Indicating complete crimp pressure cycle has been achieved
- Head rotates 350 degrees
- Red LED to display the charge status of the battery

CRIMP CAPACITIES

- #26 to #8 AWG (copper terminations)
- Max. Crimp Force: 1.5 Tons (13.3 kN)
- Avg. Crimp Time: 2 seconds
- Avg. Crimps per Charge: 200
- Charge Time: 15 mins (Avg.)

SPECIFICATIONS

- Length: 14.5" (368 mm)
- Width: 2.87" (72.9 mm)
- Depth: 4.5" (114.3 mm)
- Weight (with battery): 3.18 lb (1.4 kg)
- Sound Level: 75 db(A) at 1 meter
- Vibration: <8.2 ft/s² (2.5 m/s²)
- Hydraulic Oil: Shell Tellus® T-15

TOOL INCLUDES: Carrying Case, Gage, Die Removal Tool, Two 18v Batteries (p/n HDE-LI-B), One Battery Charger (p/n HDE-LI-120C).

Dies must be ordered separately.



HXE4-R

The HXE4-R Remote Head Battery Powered Hydraulic Open Frame Crimp Tool is a portable, self-contained crimp tool. The lightweight crimp head is connected to the battery and pump unit by a hydraulic umbilical cable. This reduces the held weight to 2 pounds, about the same as the manual tool. The battery and pump unit can be worn by the operator on a tool belt, stored in a carrying case, or mounted to a bench top. It is comparable to DMC's HX4 hand tool and uses the same Y-dies. (See page 71 & 77).

| ADJUSTABLE DIES FOR INSULATED TERMINALS & SPLICES | | |
|---|-------|-------|
| COLOR | SIZE | P/N |
| Yellow | 12-10 | Y670 |
| Blue | 16-14 | Y671 |
| Red | 22-18 | Y672 |
| Yellow | 26-24 | Y678 |
| Red/Blue | 22-14 | Y1060 |

Adjustable Crimping Dies accept terminations which conform to AS7928, AS25036 (class 1 and 2) and other military or commercial specifications.

FEATURES

- Ergonomic design allows one-handed operation
- Die automatically opens when crimp is complete
- Die can be pre-closed under spring pressure (thumb actuated release standard)
- Connection point for tool balancing systems

CRIMP CAPACITIES

- #26 to #8 AWG (copper terminations)
- Max Crimp Force: 3500lb/15.6kN Max
- Oil Pressure: 4000psi/276 bar Max
- Crimp Time: Approx. 3.5 seconds
- Crimps per Charge: Approx. 250

CRIMP TOOL

- Length: 9.5"/241mm
- Width: 2.5"/63.5mm
- Depth: 2.5"/63.5mm
- Weight: 1.64lb/.74kg
- Hose Length: 4.5ft (permanently attached)

POWER UNIT WITH BATTERY INSTALLED

- Length: 9.8"/248mm
- Width: 3.1"/80mm
- Depth: 5.6"/142mm
- Weight: 4.3lb/2.0kg
- Sound Level: 72dBA
- Hydraulic Oil: 1.7oz/48g Shell Tellus T-15
- Charging Voltage: 10.8 VDC Lithium Ion Type Battery
- Charging Time: Approx. 40 minutes (Avg.)



The battery and pump unit can be worn on a tool belt... (p/n 2063863-1)



used with an AC adapter... (p/n HD-110AC)



or mounted to a bench top. (p/n BM-7)

TOOL INCLUDES: Case, Gage, Die Removal Tool, Two Batteries (p/n HD-BATTERY-R), One Battery Charger (p/n HD-110CHARGER-R). Tool Belt, AC Adapter, and Bench Mount sold separately.

Dies must be ordered separately.

Pneumatic Open Frame Tool

HX23 BENCH CRIMP PRODUCTION PRESS

COMPATIBILITY WITH EXISTING CRIMP DIES

The HX23 accommodates most M22520/5-XX military and Daniels "Y" series crimp dies.

This affords utilization of existing dies and interchangeability with M22520/5-01 (Daniels HX4) hand tool frames.

FULL CYCLE CONTROL

Full die closure is assured on every crimp. The internal cycle control network will not allow the tool to open until complete closure is attained. A simple procedure is available to open the tool in cases where a complete cycle cannot be effected.

A secure method is provided to prevent unauthorized personnel from defeating the cycle control system.

HANDS FREE OPERATION

There are no awkward levers or mechanisms used to open or close the crimp dies. These operations waste time and distract the operator's attention.

When the tool is in the normal condition, the crimp dies are fully open where contact assemblies can easily be inserted. A touch of the foot valve releases the dies to a gripping position (spring pressure only). When the operator is satisfied that the contact assembly is positioned correctly and hands are in a safe position, another actuation of the same foot valve completes the crimp and quickly returns the die to the open position for removal of the crimped assembly and loading of the next parts.

MOUNTING

The HX23 is supplied with a stable bench mount with can remain unattached for portability. Or, can be mounted to a workstation by installing fasteners through the holes provided.

The HX23 Production Crimp Press can be used in horizontal or vertical positions.

SAFETY FEATURES:

- 2 Step Crimping Process
- Emergency Stop Switch



BENCH MOUNT AND FOOT PRESS INCLUDED

OPERATOR SAFETY FEATURES

The HX23 is equipped with a transparent guard which affords the protection, but does not restrict vision.

The Hands Free Operation system allows the operator to position the contact assembly while the die is under spring pressure only.

The operator is then free to let the tool hold the contact assembly during the crimp cycle while the operator's hands and fingers are a safe distance from the crimping die.

The HX23 foot valve assembly is constructed with a protective shroud to prevent accidental actuation. For operation the operator places their foot under the shroud to depress the pedal.

FULL PNEUMATIC OPERATION

Standard clean, dry shop air at the recommended pressure is all that is required to operate the HX23 tool. There are no electrical or hydraulic requirements.

ADJUSTABLE DIES FOR INSULATED TERMINALS & SPLICES

| COLOR | SIZE | P/N |
|----------|-------|-------|
| Blue | 16-14 | Y671 |
| Red | 22-18 | Y672 |
| Yellow | 26-24 | Y678 |
| Red/Blue | 22-14 | Y1060 |

Adjustable Crimping Dies accept terminations which conform to AS7928, AS25036 (class 1 and 2) and other military or commercial specifications.

| HX23 SPECIFICATIONS | | |
|--|-------------------------|--------|
| COMPONENTS | SIZE | WEIGHT |
| TOOL FRAME | 4 x 6 x 16 (in) | 11 LBS |
| (LESS BENCH MOUNT) | 11.4 x 15.2 x 40.6 (cm) | 5.2 KG |
| FOOT VALVE | 4 x 5 x 13 (in) | 6 LBS |
| | 10.2 x 12.7 x 34.3 (cm) | 2.7 KG |
| HOSE ASSM. (BETWEEN FOOT PRESS AND CRIMP TOOL) | 9 Feet – 2.7 Meters | N/A |
| AIR REQUIREMENTS | | |
| 80-95 PSI (5.4-6.4 BAR) | | |

X-Die Pneumatic Tool Bench Press Style Crimp Tool

PHX3 PNEUMATIC TOOL

COMPATIBILITY WITH EXISTING CRIMP DIES

The PHX3 accommodates all M22520/10-XX military and Daniels "X" series crimp dies. This affords total utilization of existing dies and total interchangeability with M22520/10-01 (Daniels HX3) hand tool frames.

FULL CYCLE CONTROL

Full die closure is assured on every crimp. The internal cycle control network will not allow the tool to open until complete closure is attained.

OPERATOR SAFETY FEATURES

The PHX3 is equipped with a crimp cavity guard to remind users to keep fingers clear of the crimp dies.

FULL PNEUMATIC OPERATION

Standard clean, dry shop air at the recommended pressure (100 - 120 psi) is all that is required to operate the PHX3 tool. There are no electrical or hydraulic requirements.



Safety Guard not shown.

A Bench Mount is Available (P/N BM-2A)



BENCH PRESS STYLE OPEN FRAME CRIMP TOOLS UDT4 & UDT3

The UDT4 & UDT3 tools have the die frame opening on the opposite side of the tool frame from the HX4 & HX3 so the tool can be used as a portable bench top press or as a hand tool. The tool frames are equipped with the same positive ratchet assembly and accept the same "Y" and "X" series dies. When used as a bench top press, the operator gains a greater mechanical advantage, thereby reducing operator fatigue.

Electric/Hydraulic Open Frame Crimp Tool

A TOTALLY SELF-CONTAINED PORTABLE CRIMP SYSTEM

The EHCY is a fast cycling bench-top crimp tool designed to be light-weight and rugged. The versatile features of the EHCY make this a good choice where production and quality cannot be compromised.

This unit is small in overall size (10.0" H x 7.1" W x 19.1" L) and weighs approximately 27 pounds, but has ample die force power to do most jobs. The crimp cycle time is only two seconds.

COMPATIBILITY WITH EXISTING CRIMP DIES

The EHCY accommodates all M22520/5-XX military and Daniels "Y" series crimp dies. This affords total utilization of existing dies and total interchangeability with M22520/5-01 (Daniels HX4) hand tool frames.

FULL CYCLE CONTROL

Full crimp pressure is assured on every crimp. The internal cycle control network will not allow the tool to open until complete pressure is attained. The cycle is disabled when the Emergency Stop button is actuated.

OPERATOR SAFETY FEATURES

The EHCY is equipped with a crimp cavity guard to remind users to keep fingers clear of the crimp dies.

An Emergency Stop button is located on top of the tool. Depressing this button releases the hydraulic pressure and retracts the crimp dies to re-open.

A Foot Pedal is Available (P/N EHCFFP) When plugged to the crimp press, it disables the front panel actuator.



| UNINSULATED TERMINALS MS20659 | | | | |
|-------------------------------|---------|--------------|--------|------|
| AWG SIZE | DIE P/N | CRIMP HEIGHT | INDENT | GAGE |
| #8-RED | Y844HN | 0.135" | SGL | G744 |
| #8-RED | Y845HN | 0.135" | DBL | G744 |
| #6-BLUE | Y846HN | 0.176" | SGL | G745 |
| #6-BLUE | Y847HN | 0.176" | DBL | G745 |

| INSULATED TERMINALS MS25036 | | | |
|-----------------------------|---------|--------------|------|
| AWG SIZE | DIE P/N | CRIMP HEIGHT | GAGE |
| #8-RED | Y673H | 0.17" | G682 |
| #6-BLUE | Y674H | 0.202" | G683 |

| HEX DIES | | | |
|------------------|---------|--------------|------|
| AWG SIZE | DIE P/N | CRIMP HEIGHT | GAGE |
| 0.202" Hex Crimp | Y870H | 0.202" | G724 |

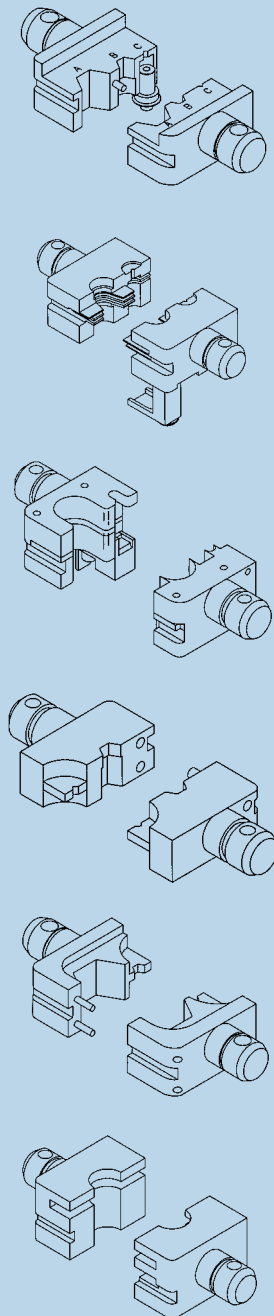
| ADJUSTABLE DIES FOR INSULATED TERMINALS & SPLICES | | |
|---|-------|-------|
| COLOR | SIZE | P/N |
| Yellow | 12-10 | Y670 |
| Blue | 16-14 | Y671 |
| Red | 22-18 | Y672 |
| Yellow | 26-24 | Y678 |
| Red/Blue | 22-14 | Y1060 |

Adjustable Crimping Dies accept terminations which conform to AS7928, AS25036 (class 1 and 2) and other military or commercial specifications.

- Standard model (P/N EHCY) operates on 110 VAC power (power cord included).
- Models available for other power and power cord requirements. Inquire with DMC for details.

DMC constantly adds new crimp die designs that are comparable to connector and terminal supplier dies or tools. A few of the popular “Y” die applications are featured in the following chart. For more options, consult factory.

TYPICAL DIE CONFIGURATIONS



| MFR. TOOL | DMC | MFR. TOOL | DMC | MFR. TOOL | DMC | MFR. TOOL | DMC |
|------------------------|-------|------------------------|--------|---------------------|---------|----------------------|-------|
| AMP 220009-1-B | Y827 | AMPHENOL 227-1228 | Y240S | CANNON APK 15 & 25 | Y831 | MS25312-2 | Y509 |
| AMP 220015-1 | Y587 | AMPHENOL 227-1242 | Y323S | CANNON BUCH. 612992 | Y331 | MS25312-3 | Y508 |
| AMP 220045-2 | Y588 | AMPHENOL 227-125 | Y129 | CANNON CCT-406M | Y321 | MS25312-4 | Y507 |
| AMP 220066-1 | Y586 | AMPHENOL 227-1350 | Y324S | CANNON CCT-C1 | Y316 | MS27143 | Y627 |
| AMP 227-1400 | Y800P | AMPHENOL 227-1351-1 | Y325 | CANNON CCT-C10 | Y320 | MS27144 | Y627 |
| AMP 277-980-3 | Y773P | AMPHENOL 227-1351-2 | Y344 | CANNON CCT-C2 | Y555 | MS27148 | Y627 |
| AMP 45158-2 | Y717 | AMPHENOL 227-1351-3 | Y326 | CANNON CCT-C3 | Y317 | RADIALL R282 235 901 | Y915 |
| AMP 45238-2 | Y721 | AMPHENOL 227-1351-4 | Y346 | CANNON CCT-C5 | Y318 | RADIALL R282230 | Y342 |
| AMP 45239-2 | Y720 | AMPHENOL 227-1351-5 | Y347 | CANNON CCT-C6 | Y319 | RAYCHEM AD1377 | Y516 |
| AMP 45240-2 | Y719 | AMPHENOL 227-1351-6 | Y348 | CANNON CCT-C7A | Y557 | T&B WT232 | Y173 |
| AMP 45241-2 | Y718 | AMPHENOL 227-1354 | Y355S | CANNON CCT-C8 | Y558 | T&B RA18-188 | Y580 |
| AMP 46673 | Y751 | AMPHENOL 227-1355 | Y356S | CANNON CCT-C9 | Y559 | T&B WT157N | Y689 |
| AMP 46988 | Y752 | AMPHENOL 227-1358 | Y357 | CANNON CCT-CKM1 | Y560 | T&B WT200 | Y119 |
| AMP 49935 | Y788 | AMPHENOL 227-1392-03 | Y488S | CANNON CCT-CX2 | Y556 | T&B WT200-06-08 | Y360 |
| AMP 501295-1 | Y923 | AMPHENOL 227-1395 | Y654 | CANNON CCT-DM | Y322 | T&B WT200-06-11 | Y443 |
| AMP 52561 | Y934A | AMPHENOL 227-1402 | Y677 | DEUTSCH 20055 | Y380 | T&B WT201-03-10 | Y410 |
| AMP 58237-1 | Y902 | AMPHENOL 227-1403 | Y493 | KINGS 683-514/0-3 | Y397 | T&B WT202-06-08 | Y409 |
| AMP 58237-2 | Y897 | AMPHENOL 227-1409 | Y688PS | KINGS 683-51559 | Y467 | T&B WT202-06-08 | Y411 |
| AMP 58238-2-A | Y896 | AMPHENOL 227-1414 | Y780 | KINGS KTH1002 | Y464 | T&B WT203 | Y198 |
| AMP 58249-1 | Y692 | AMPHENOL 227-200 | Y133 | KINGS KTH1061 | Y575 | T&B WT209, 409 | Y211 |
| AMP 583424 | Y906 | AMPHENOL 227-350 | Y132 | KINGS KTH1077 | Y828P | T&B WT210, 410 | Y212 |
| AMP 583424-1,-2 | Y904 | AMPHENOL 227-375 | Y131 | KINGS KTH1078 | Y609 | T&B WT215 | Y139 |
| AMP 583424-5 | Y903 | AMPHENOL 227-400 | Y130P | KINGS KTH1079 | Y630P | T&B WT216 | Y138 |
| AMP 583424-6 | Y905 | AMPHENOL 227-425 | Y134 | KINGS KTH2002 | Y269 | T&B WT218 | Y145 |
| AMP 58423-1 | Y810P | AMPHENOL 227-600 | Y225 | KINGS KTH2012 | Y277 | T&B WT226 | Y169 |
| AMP 58423-2 | Y811P | AMPHENOL 227-911 | Y442 | KINGS KTH2021 | Y339 | T&B WT227 | Y170 |
| AMP 59215 | Y619 | AMPHENOL 227-911 | Y623 | KINGS KTH2024 | Y423 | T&B WT229 | Y178P |
| AMP 59250 | Y1060 | AMPHENOL 227-980-1 | Y685 | KINGS KTH2042 | Y209P | T&B WT230 | Y179 |
| AMP 59255 | Y753 | AMPHENOL 227-980-2 | Y686 | KINGS KTH2061 | Y572 | T&B WT231 | Y180 |
| AMP 59459 | Y745 | AMPHENOL 227-980-5 | Y787P | KINGS KTH2062 | K575 | T&B WT233 | Y242 |
| AMP 59461 | Y794 | AMPHENOL 294-1832 | Y200P | KINGS KTH2062 | Y762P | T&B WT234 | Y293 |
| AMP 59493-1 | Y843 | AMPHENOL 294-532 | Y200P | KINGS KTH2063 | Y617 | T&B WT235 | Y246 |
| AMP 59508 | Y748 | AMPHENOL 294GB-5031 | Y731 | KINGS KTH2064 | Y574 | T&B WT238 | Y245 |
| AMP 59962-1 | Y1997 | AMPHENOL 48-326 | Y477 | KINGS KTH2067 | Y573 | T&B WT311 | Y243 |
| AMP 69149-1 | Y732 | AMPHENOL 611X1151 | Y336 | KINGS KTH2067 | Y760P | T&B WT400 | Y203 |
| AMP 69223-1 | Y733 | AMPHENOL 611X1275-1 | Y564 | KINGS KTH2081 | Y613 | T&B WT400 | Y215 |
| AMP 69224-1 | Y734 | AMPHENOL 790-5185 | Y255S | KINGS KTH2082 | Y600 | T&B WT400-02-08 | Y219 |
| AMP 69266-1 | Y735 | AMPHENOL 790-5284 | Y257 | KINGS KTH2101 | Y633 | T&B WT401 | Y201 |
| AMP 69339 | Y589 | AMPHENOL 790-5285 | Y254 | KINGS KTH2103 | Y680 | T&B WT401, 406, 411 | Y292 |
| AMP 69352 | Y749 | AMPHENOL 790-5431 | Y250 | KINGS KTH2105 | Y634 | T&B WT402 | Y214 |
| AMP 69355 | Y750 | ASTRO. 613876 | Y328 | KINGS KTH2127 | Y635 | T&B WT406 | Y216 |
| AMP 69363 | Y590 | ASTRO. 615550 | Y330 | KINGS KTH2128 | Y636 | T&B WT406M | Y321 |
| AMP 69365-3 | Y950 | BENDIX 21-33145-1 | Y690 | KINGS KTH2140 | Y837P | T&B WT411 | Y190 |
| AMP 69408 | Y736 | BURNDY MR8PV-2 | Y530 | KINGS KTH2162 | Y679 | T&B WT414 | Y191 |
| AMP 69422 | Y737 | BURNDY MR8-PVS | Y524 | KINGS KTH2168 | Y932 | T&B WT419 | Y192 |
| AMP 69423 | Y738 | BURNDY N14HET-25 | Y881 | KINGS KTH2175 | Y940 | TROMPETER CD5-10 | Y776 |
| AMP 69424 | Y739 | BURNDY N14RT-10 | Y818 | KINGS KTH2177 | Y825 | TROMPETER CD5-11 | Y777 |
| AMP 69425 | Y740 | BURNDY N22RVMT-10 | Y512 | KINGS KTH2180 | Y829P | TROMPETER CD5-8 | Y778 |
| AMP 69429 | Y741 | BURNDY N22RVMT-15 | Y817 | KINGS KTH2207 | Y888 | TROMPETER CD5-12 | Y789F |
| AMP 69471 | Y742 | BURNDY YAV9C-L36 | Y948 | KINGS KTH2211 | Y889 | TROMPETER CD5-13 | Y803 |
| AMP 69477-4 | Y938 | CANNON 249-1400-000 | Y249P | KINGS KTH2212 | Y890 | TROMPETER CD5-4 | Y631 |
| AMP 69493 | Y743 | CANNON 304-0445-000 | Y894 | KINGS KTH2213 | Y910 | TROMPETER CD5-7 | Y775 |
| AMP 69493-1 | Y744 | CANNON 317-1795-000 | Y694 | KINGS KTH2214 | Y892 | TROMPETER CD5-9 | Y687 |
| AMP 69646 | Y746 | CANNON 317-2071-000 | Y824 | KINGS KTH2216 | Y893 | TYCO 59250 | Y1060 |
| AMP 69646 | Y537 | CANNON 317-7178-000 | Y830 | KINGS KTH2229 | Y911 | TYCO 59275 | Y1061 |
| AMP 69726 | Y1998 | CANNON 990-001-391/392 | Y358 | M22520/5-104 | Y692 | TYCO AD1377 | Y516 |
| AMP 69811 | Y747 | CANNON 995-0001-761 | Y704 | MAC PANEL 452303 | Y430-MP | WALTER KIDDE M616229 | Y412 |
| AMP 85-35181-SK11 | Y692 | CANNON 995-0002-113 | Y702 | MOLEX 8657-5001/2 | Y922 | | |
| AMP 9036402A | Y929 | CANNON 995-0002-143 | Y708 | MOLEX 86760-5003 | Y926 | | |
| AMPHENOL 227-1221-6001 | Y951 | CANNON 995-0002-228 | Y793 | MS25312-1 | Y510 | | |

Others Available. Consult DMC.

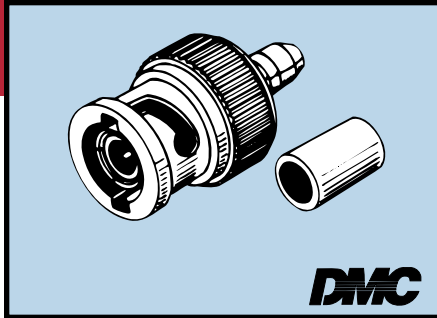
Coaxial/Shielded Contact Tool Selection Guide

| SHIELDED CONTACTS AND CONNECTOR SERIES | BIN CODE | CONTACT CAVITY SIZE | INNER CONTACT | | SHIELD CRIMP SLEEVE | | OUTER CONTACT | | INSTALLING TOOL | REMOVAL TOOL |
|---|---|---------------------|---------------|------------|---------------------|-------------------|---------------|-------------------|-----------------|--------------|
| | | | CRIMPING TOOL | POSITIONER | CRIMPING TOOL | POSITIONER OR DIE | CRIMPING TOOL | POSITIONER OR DIE | | |
| M39029/6-PIN CONTACT MIL-C-81511 SERIES 1 AND 2 | 120 | 16 | AFM8 | K262-1 | HX4 | Y200 | HX4 | Y200 | DAK126-16A | DRK125-16A |
| | 121 | 12 | AFM8 | K261-1 | HX4 | Y152 | HX4 HX3 | Y152 X123 | DAK126-12A | DRK125-12A |
| | 122 | 12 | AFM8 | K261-1 | HX4 | Y152 | HX4 HX3 | Y152 X123 | DAK126-12A | DRK125-12A |
| | 123 | 12 | AFM8 | K261-1 | HX4 HX3 | Y152 X123 | HX4 HX3 | Y152 X123 | DAK126-12A | DRK125-12A |
| | 124 | 12 | AFM8 | K261-1 | HX4 HX3 | Y152 X123 | HX4 HX3 | Y152 X123 | DAK126-12A | DRK125-12A |
| | 125 | 12 | AFM8 | K261-1 | HX4 | Y152 | HX4 HX3 | Y152 X123 | DAK126-12A | DRK125-12A |
| | M39029/7-PIN CONTACT MIL-DTL-26482 SERIES 2 MIL-DTL-81703 SERIES 3 | 126 | 12 | AFM8 | K269-1 | HX4 | Y203 | | | DAK83-12B |
| 127 | | 12 | AFM8 | K269-1 | HX4 | Y203 | | | DAK83-12B | DRK83-12B |
| 128 | | 12 | AFM8 | K269-1 | HX4 | Y203 | | | DAK83-12B | DRK83-12B |
| M39029/8-SKT CONTACT MIL-DTL-26482 SERIES 2 MIL-DTL-81703 SERIES 3 | 129 | 12 | AFM8 | K269-1 | HX4 | Y203 | | | DAK83-12B | DRK83-12B |
| | 130 | 12 | AFM8 | K269-1 | HX4 | Y203 | | | DAK83-12B | DRK83-12B |
| | 131 | 12 | AFM8 | K269-1 | HX4 | Y203 | | | DAK83-12B | DRK83-12B |
| M39029/13-SKT CONTACT MIL-C-81511 SERIES 1 | 152 | 16 | AFM8 | K262-1 | HX4 | Y200 | HX4 HX4 | Y200 Y152 | DAK126-16A | DRK129-16A |
| | 153 | 12 | AFM8 | K261-1 | HX4 | Y152 | HX3 HX4 | X123 Y152 | DAK126-12A | DRK129-12A |
| | 154 | 12 | AFM8 | K261-1 | HX4 | Y152 | HX3 HX4 | X123 Y152 | DAK126-12A | DRK129-12A |
| | 155 | 12 | AFM8 | K261-1 | HX4 HX3 | Y152 X123 | HX4 HX3 | Y152 X123 | DAK126-12A | DRK129-12A |
| | 156 | 12 | AFM8 | K261-1 | HX4 HX3 | Y152 X123 | HX4 HX3 | Y152 X123 | DAK126-12A | DRK129-12A |
| | 157 | 12 | AFM8 | K261-1 | HX4 | Y152 | HX4 HX3 | Y152 X123 | DAK126-12A | DRK129-12A |
| M39029/14-SKT CONTACT MIL-C-81511 SERIES 2 | 158 | 16 | AFM8 | K262-1 | HX4 | Y200 | HX4 | Y200 | DAK126-16A | DRK129-16A |
| | 159 | 12 | AFM8 | K261-1 | HX4 | Y152 | HX4 HX3 | Y152 X123 | DAK126-12A | DRK129-12A |
| | 160 | 12 | AFM8 | K261-1 | HX4 | Y152 | HX4 HX3 | Y152 X123 | DAK126-12A | DRK129-12A |
| | 161 | 12 | AFM8 | K261-1 | HX4 HX3 | Y152 X123 | HX4 HX3 | Y152 X123 | DAK126-12A | DRK129-12A |
| | 162 | 12 | AFM8 | K261-1 | HX4 HX3 | Y152 X123 | HX4 HX3 | Y152 X123 | DAK126-12A | DRK129-12A |
| | 163 | 12 | AFM8 | K261-1 | HX4 | Y152 | HX4 HX3 | Y152 X123 | DAK126-12A | DRK129-12A |
| | M39029/19-PIN CONTACT MIL-C-81511 SERIES 3 AND 4 | 181 | 16 | AFM8 | K373-1 | MH802 | D16/1-1M | MH801 | D16P-1M | MS3160-16 |
| 182 | | 12 | AFM8 | K373-1 | MH802 | D16/1-1M | MH801 | D16P-1M | MS3160-12 | MS3160-12 |
| | | | AFM8 | K372-1 | MH804 | D12/1-1M | MH803 | D12P-1M | | |
| 183 | | 12 | AFM8 | K372-1 | MH804 | D12/1-1M | MH803 | D12P-1M | MS3160-12 | MS3160-12 |
| | | | AFM8 | K372-1 | MH804 | D12/1-1M | MH803 | D12P-1M | | |
| M39029/20-SKT CONTACT MIL-C-81511 SERIES 3 | | 184 | 16 | AFM8 | K373-1 | MH802 | D16/2-1M | MH801 | D16LS-1M | MS3160-16 |
| | 185 | 12 | AFM8 | K373-1 | MH802 | D16/2-1M | MH801 | D16LS-1M | MS3160-12 | MS3160-12 |
| | | | AFM8 | K372-1 | MH804 | D12/2-1M | MH803 | D12LS-1M | | |
| | 186 | 12 | AFM8 | K372-1 | MH804 | D12/2-1M | MH803 | D12LS-1M | MS3160-12 | MS3160-12 |
| | | | AFM8 | K372-1 | MH804 | D12/2-1M | MH803 | D12LS-1M | | |
| | | | AFM8 | K372-1 | MH804 | D12/2-1M | MH803 | D12LS-1M | | |
| M39029/21-SKT CONTACT MIL-C-81511 SERIES 4 | 187 | 16 | AFM8 | K373-1 | MH802 | D16/2-1M | MH801 | D16S-1M | MS3160-16 | MS3160-16 |
| | 188 | 12 | AFM8 | K373-1 | MH802 | D16/2-1M | MH801 | D16S-1M | MS3160-12 | MS3160-12 |
| | | | AFM8 | K372-1 | MH804 | D12/1-1M | MH803 | D12S-1M | | |
| | 189 | 12 | AFM8 | K372-1 | MH804 | D12/1-1M | MH803 | D12S-1M | MS3160-12 | MS3160-12 |
| | | | AFM8 | K372-1 | MH804 | D12/1-1M | MH803 | D12S-1M | | |
| | | | AFM8 | K372-1 | MH804 | D12/1-1M | MH803 | D12S-1M | | |

Coaxial/Shielded Contact Tool Selection Guide

| SHIELDED CONTACTS AND CONNECTOR SERIES | BIN CODE | CONTACT CAVITY SIZE | INNER CONTACT | | SHIELD CRIMP SLEEVE | | OUTER CONTACT | | INSTALLING TOOL | REMOVAL TOOL |
|---|----------|---------------------|---------------|------------|---------------------|----------------------------|---------------|----------------------------|-----------------|--------------|
| | | | CRIMPING TOOL | POSITIONER | CRIMPING TOOL | POSITIONER OR DIE (CAVITY) | CRIMPING TOOL | POSITIONER OR DIE (CAVITY) | | |
| M39029/25-PIN CONTACT MIL-DTL-26482 SERIES 1 | 204 | 12 | AFM8 | K496 | HX4 | Y189 | | | DAK12B | DRK12B |
| | 205 | 12 | AFM8 | K496 | | | | | | |
| | 206 | 12 | AFM8 | K496 | HX4 | Y189 | | | | |
| M39029/26-SKT CONTACT MIL-DTL-26482 SERIES 1 | 207 | 12 | AFM8 | K496 | HX4 | Y189 | | | DAK12B | DRK12B |
| | 208 | 12 | AFM8 | K496 | | | | | | |
| | 209 | 12 | AFM8 | K496 | HX4 | Y189 | | | | |
| M39029/27-SKT CONTACT MIL-PRF-38999 SERIES 2 | 210 | 12 | AFM8 | K323 | | | GS200-1 | G2P330 | DAK95-12B | DRK95-12B |
| | 402 | | | | | | | | | |
| | 403 | | | | | | | | | |
| | 404 | | | | | | | | | |
| | 405 | | | | | | | | | |
| | 406 | | | | | | | | | |
| | 407 | | | | | | | | | |
| 408 | | | | | | | | | | |
| M39029/28-PIN CONTACT MIL-PRF-38999 SERIES 1, 2, 3 & 4 | 211 | 12 | AFM8 | K323 | | | GS200-1 | G2P330 | DAK95-12B | DRK95-12B |
| | 409 | | | | | | | | | |
| | 410 | | | | | | | | | |
| | 411 | | | | | | | | | |
| | 412 | | | | | | | | | |
| | 413 | | | | | | | | | |
| | 414 | | | | | | | | | |
| 415 | | | | | | | | | | |
| M39029/50-PIN CONTACT MIL-DTL-83733 | 340 | 12 | AFM8 | K404 | | | HX4 | Y215 | DAK83-12B | DRK83-12B |
| | | | | | | | HX3 | X101 | | |
| M39029/51-SKT CONTACT MIL-DTL-83733 | 341 | 12 | AFM8 | K404 | | | HX4 | Y215 | DAK83-12B | DRK83-12B |
| | | | | | | | HX3 | X101 | | |
| M39029/54-PIN CONTACT MIL-DTL-26500 | 342 | 12 | AFM8 | K74S | | | HX4 | Y215 | DAK12B | DRK12B |
| | | | | | | | HX3 | X101 | | |
| | 343 | 8 | AFM8 | K75S-1 | | | HX4 | Y215 | DAK55-8B | DRK56-8B |
| M39029/55-SKT CONTACT MIL-DTL-26500 | 344 | 12 | AFM8 | K74S | | | HX4 | Y215 | DAK12B | DRK12B |
| | | | | | | | HX3 | X101 | | |
| | 345 | 8 | AFM8 | K75S-1 | | | HX4 | X215 | DAK55-8B | DRK56-8B |
| M39029/59-SKT CONTACT MIL-PRF-38999 SERIES 1, 3 & 4 | 366 | 8 | AFM8 | K406 | | | HX4 | Y197 | BY HAND | DRK95-8B |
| | | | | | | | HX3 | H102 | | |
| | | | | | | | HX4 | X197 | | |
| M39029/60-PIN CONTACT MIL-PRF-38999 SERIES 1, 3 & 4 | 367 | 8 | AFM8 | KY06 | | | HX4 | X197 | BY HAND | DRK95-8B |
| | | | | | | | HX3 | X102 | | |
| M39029/75-SKT CONTACT MIL-PRF-38999 SERIES 1, 3 & 4 | 416 | 12 | AFM8 | K323 | | | GS200-1 | G2P330 | DAK95-12B | DRK95-12B |
| | 417 | | | | | | | | | |
| | 418 | | | | | | | | | |
| | 419 | | | | | | | | | |
| | 420 | | | | | | | | | |
| | 421 | | | | | | | | | |
| | 422 | | | | | | | | | |
| 423 | | | | | | | | | | |
| M39029/76-PIN CONTACT MIL-PRF-38999 SERIES 1, 2, 3 & 4 | 424 | 16 | AFM8 | K532-1 | | | GS100-1 | GP295 | DAK95-16B | DRK95-16B |
| | 425 | | | | | | | | | |
| | 426 | | | | | | | | | |
| | 427 | | | | | | | | | |
| M39029/77-SKT CONTACT MIL-PRF-38999 SERIES 1, 3 & 4 | 428 | 16 | AFM8 | K532-1 | | | GS100-1 | GP295 | DAK95-16B | DRK95-16B |
| | 429 | | | | | | | | | |
| | 430 | | | | | | | | | |
| M39029/78-SKT CONTACT MIL-PRF-38999 SERIES 2 MIL-DTL-24308 | 431 | 16 | AFM8 | K532-1 | | | GS100-1 | GP295 | DAK95-16B | DRK95-16B |
| | 432 | | | | | | | | | |
| | 433 | | | | | | | | | |
| | 434 | | | | | | | | | |
| 435 | | | | | | | | | | |

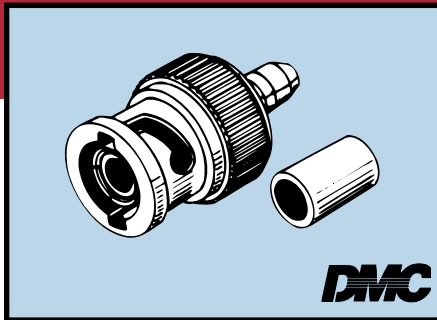
R.F. Connectors Tool Selection Guide



MIL-PRF-39012/16 SERIES BNC

| CONNECTOR TYPE | CONNECTOR MILITARY PART NO. |
|---------------------|-----------------------------|
| PLUG PIN CONTACT | M39012/16-0501 |
| | M39012/16-0502 |
| | M39012/16-0503 |
| | M39012/16-0504 |

| CONTACT GUIDE | | | | APPLICABLE CABLE RG-/U | CRIMP TOOL | | POSITIONER OR DIE | |
|--|------------|-----------|----------|------------------------|------------|-----|-------------------|------|
| CONTACT MILITARY PART NO.* | PIN OR SKT | COLORBAND | | | | | | |
| | | □ | ○ | | | | | |
| I.C. M39012/16-12 O.F. M39012/16-50 | P — | ORA — | YEL — | 122 | AF8 | | TH270 | |
| | | | | | HX4 | HX3 | Y197 | X102 |
| I.C. M39012/16-11 O.F. M39012/16-50 | P — | BLU — | YEL — | 180 | AF8 | | TH270 | |
| | | | | | HX4 | HX3 | Y197 | X102 |
| I.C. M39012/16-10 O.F. M39012/16-51 | P — | RED — | YEL — | 142 400 | AF8 | | TH270 | |
| | | | | | HX4 | HX3 | Y197 | X102 |
| I.C. M39012/16-10 O.F. M39012/16-52 | P — | RED — | YEL — | 58 | AF8 | | TH270 | |
| | | | | | HX4 | HX3 | Y197 | X102 |



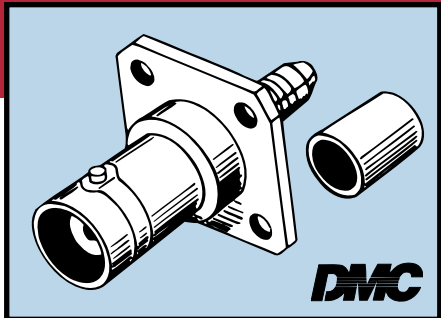
MIL-PRF-39012/17 SERIES BNC

| CONNECTOR TYPE | CONNECTOR MILITARY PART NO. |
|------------------------|-----------------------------|
| PLUG SOCKET CONTACT | M39012/17-0501 |
| | M39012/17-0502 |
| | M39012/17-0503 |
| | M39012/17-0504 |

| CONTACT GUIDE | | | | APPLICABLE CABLE RG-/U | CRIMP TOOL | | POSITIONER OR DIE | |
|--|------------|-----------|----------|------------------------|------------|-----|-------------------|------|
| CONTACT MILITARY PART NO.* | PIN OR SKT | COLORBAND | | | | | | |
| | | □ | ○ | | | | | |
| I.C. M39012/17-12 O.F. M39012/17-50 | S — | ORA — | GRE — | 122 | AF8 | | TH270 | |
| | | | | | HX4 | HX3 | Y197 | X102 |
| I.C. M39012/17-11 O.F. M39012/17-50 | S — | BLU — | GRE — | 180 | AF8 | | TH270 | |
| | | | | | HX4 | HX3 | Y197 | X102 |
| I.C. M39012/17-10 O.F. M39012/17-51 | S — | RED — | GRE — | 142 400 | AF8 | | TH270 | |
| | | | | | HX4 | HX3 | Y197 | X102 |
| I.C. M39012/17-10 O.F. M39012/17-52 | S — | RED — | GRE — | 58 | AF8 | | TH270 | |
| | | | | | HX4 | HX3 | Y197 | X102 |

* I.C. - Inner Contact, O.F. - Outer Ferrule

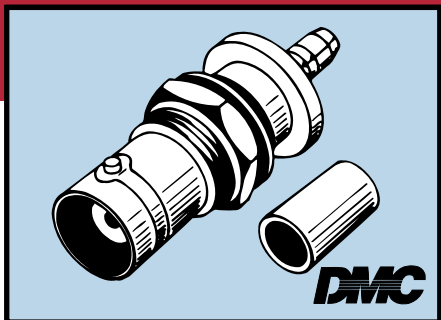
R.F. Connectors Tool Selection Guide



MIL-PRF-39012/18 SERIES BNC

| CONNECTOR TYPE | CONNECTOR MILITARY PART NO. |
|-------------------------------|-----------------------------|
| RECEPTACLE, FLANGE MOUNTED | M39012/18-0501 |
| | M39012/18-0502 |
| | M39012/18-0503 |
| | M39012/18-0504 |

| CONTACT GUIDE | | | | APPLICABLE CABLE RG-/U | CRIMP TOOL | | POSITIONER OR DIE | |
|--|------------------|-----------|----------|------------------------------|------------|-----|-------------------|------|
| CONTACT MILITARY PART NO.* | PIN OR SKT | COLORBAND | | | | | | |
| | | □ | ○ | | | | | |
| I.C. M39012/18-12 O.F. M39012/18-50 | S — | ORA — | GRE — | 122 | AF8 | | TH270 | |
| | | | | | HX4 | HX3 | Y197 | X102 |
| I.C. M39012/18-11 O.F. M39012/18-50 | S — | BLU — | GRE — | 180 | AF8 | | TH270 | |
| | | | | | HX4 | HX3 | Y197 | X102 |
| I.C. M39012/18-10 O.F. M39012/18-51 | S — | RED — | GRE — | 142 400 | AF8 | | TH270 | |
| | | | | | HX4 | HX3 | Y197 | X102 |
| I.C. M39012/18-10 O.F. M39012/18-52 | S — | RED — | GRE — | 58 | AF8 | | TH270 | |
| | | | | | HX4 | HX3 | Y197 | X102 |



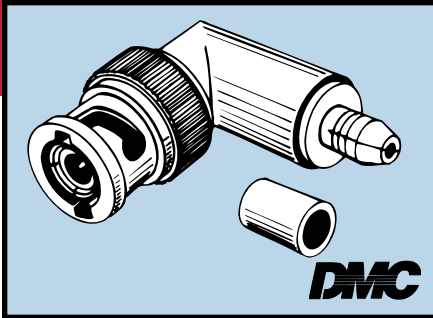
MIL-PRF-39012/19 SERIES BNC

| CONNECTOR TYPE | CONNECTOR MILITARY PART NO. |
|----------------|-----------------------------|
| JAM NUT MOUNT | M39012/19-0501 |
| | M39012/19-0502 |
| | M39012/19-0503 |
| | M39012/19-0504 |

| CONTACT GUIDE | | | | APPLICABLE CABLE RG-/U | CRIMP TOOL | | POSITIONER OR DIE | |
|--|------------------|-----------|----------|------------------------------|------------|-----|-------------------|------|
| CONTACT MILITARY PART NO.* | PIN OR SKT | COLORBAND | | | | | | |
| | | □ | ○ | | | | | |
| I.C. M39012/19-12 O.F. M39012/19-50 | S — | ORA — | BLU — | 122 | AF8 | | TH270 | |
| | | | | | HX4 | HX3 | Y197 | X102 |
| I.C. M39012/19-11 O.F. M39012/19-50 | S — | BLU — | BLU — | 180 | AF8 | | TH270 | |
| | | | | | HX4 | HX3 | Y197 | X102 |
| I.C. M39012/19-10 O.F. M39012/19-51 | S — | RED — | BLU — | 142 400 | AF8 | | TH270 | |
| | | | | | HX4 | HX3 | Y197 | X102 |
| I.C. M39012/19-10 O.F. M39012/19-52 | S — | RED — | BLU — | 58 | AF8 | | TH270 | |
| | | | | | HX4 | HX3 | Y197 | X102 |

* I.C. - Inner Contact, O.F. - Outer Ferrule

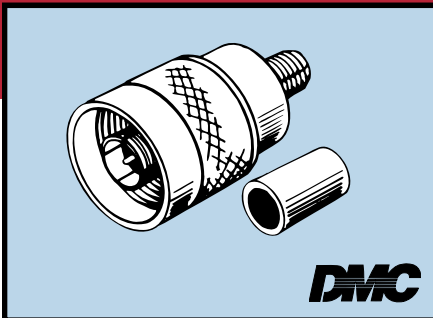
R.F. Connectors Tool Selection Guide



MIL-PRF-39012/20 SERIES BNC

| CONNECTOR TYPE | CONNECTOR MILITARY PART NO. |
|---------------------|-----------------------------|
| PLUG RIGHT ANGLE | M39012/20-0501 |
| | M39012/20-0502 |
| | M39012/20-0503 |
| | M39012/20-0504 |

| CONTACT MILITARY PART NO.* | PIN OR SKT | COLORBAND | | APPLICABLE CABLE RG-/U | CRIMP TOOL | | POSITIONER OR DIE | |
|--|------------|-----------|----------|------------------------|------------|-----|-------------------|------|
| | | □ | ○ | | | | | |
| I.C. M39012/20-12 O.F. M39012/20-50 | P — | ORA — | VIO — | 122 | AF8 | | TH270 | |
| I.C. M39012/20-11 O.F. M39012/20-50 | P — | BLU — | VIO — | 180 | HX4 | HX3 | Y197 | X102 |
| I.C. M39012/20-10 O.F. M39012/20-51 | P — | RED — | VIO — | 142 400 | AF8 | | TH270 | |
| I.C. M39012/20-10 O.F. M39012/20-52 | P — | RED — | VIO — | 58 | HX4 | HX3 | Y197 | X102 |

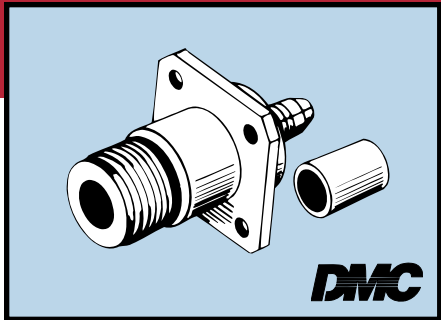


MIL-PRF-39012/1 SERIES N

| CONNECTOR TYPE | CONNECTOR MILITARY PART NO. |
|----------------|-----------------------------|
| PLUG | M39012/01-0501 |
| | M39012/01-0502 |
| | M39012/01-0503 |

| CONTACT MILITARY PART NO.* | PIN OR SKT | COLORBAND | | APPLICABLE CABLE RG-/U | CRIMP TOOL | | POSITIONER OR DIE | |
|--------------------------------------|------------|-----------|----------|------------------------|------------|-----|-------------------|------|
| | | □ | ○ | | | | | |
| I.C. M39012/1-10 O.F. M39012/1-50 | P — | RED — | BLA — | 214 225 393 | AF8 | | TH285 | |
| I.C. M39012/1-10 O.F. M39012/1-51 | P — | RED — | BLA — | 213 | HX4 | | Y178 | |
| I.C. M39012/1-11 O.F. M39012/1-52 | P — | BLU — | BLA — | 142 400 | AF8 | | TH285 | |
| | | | | | HX4 | HX3 | Y142 | X144 |

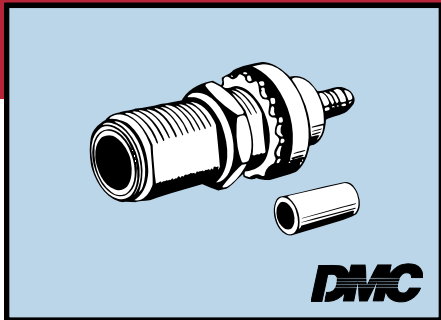
* I.C. - Inner Contact, O.F. - Outer Ferrule



MIL-PRF-39012/2 SERIES N

| CONNECTOR TYPE | CONNECTOR MILITARY PART NO. |
|---------------------------------------|-----------------------------|
| PLUG AND RECEPTACLE FLANGE MOUNTED | M39012/02-0501 |
| | M39012/02-0511 |
| | M39012/02-0502 |
| | M39012/02-0512 |
| | M39012/02-0503 |
| | M39012/02-0513 |

| CONTACT GUIDE | | | | APPLICABLE CABLE RG-/U | CRIMP TOOL | | POSITIONER OR DIE | |
|--------------------------------------|------------------|-----------|-----|------------------------------|------------|------|-------------------|------|
| CONTACT MILITARY PART NO.* | PIN OR SKT | COLORBAND | | | | | | |
| | | □ | ○ | | | | | |
| I.C. M39012/2-10 O.F. M39012/2-50 | S | RED | BRO | 214 | AF8 | | TH285 | |
| | — | — | — | 225 | HX4 | Y178 | | |
| | — | — | — | 393 | | | | |
| I.C. M39012/2-10 O.F. M39012/2-51 | S | RED | BRO | 213 | AF8 | | TH285 | |
| | — | — | — | — | HX4 | Y178 | | |
| | — | — | — | — | | | | |
| I.C. M39012/2-11 O.F. M39012/2-52 | S | BLU | BRO | 142 | AF8 | | TH285 | |
| | — | — | — | 400 | HX4 | HX3 | Y142 | X144 |



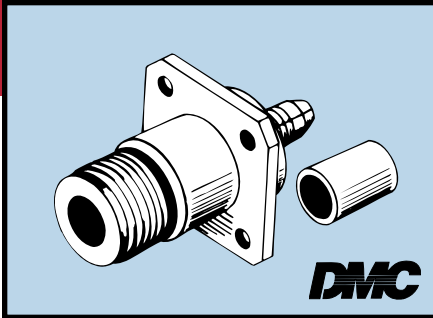
MIL-PRF-39012/3 SERIES N

| CONNECTOR TYPE | CONNECTOR MILITARY PART NO. |
|-----------------|-----------------------------|
| JAM NUT MOUNTED | M39012/03-0501 |
| | M39012/03-0502 |
| | M39012/03-0503 |

| CONTACT GUIDE | | | | APPLICABLE CABLE RG-/U | CRIMP TOOL | | POSITIONER OR DIE | |
|--------------------------------------|------------------|-----------|-----|------------------------------|------------|------|-------------------|------|
| CONTACT MILITARY PART NO.* | PIN OR SKT | COLORBAND | | | | | | |
| | | □ | ○ | | | | | |
| I.C. M39012/3-10 O.F. M39012/3-50 | S | RED | RED | 214 | AF8 | | TH286 | |
| | — | — | — | 225 | HX4 | Y178 | | |
| | — | — | — | 393 | | | | |
| I.C. M39012/3-10 O.F. M39012/3-51 | S | RED | RED | 213 | AF8 | | TH286 | |
| | — | — | — | — | HX4 | Y178 | | |
| | — | — | — | — | | | | |
| I.C. M39012/3-11 O.F. M39012/3-52 | S | BLU | RED | 142 | AF8 | | TH286 | |
| | — | — | — | 400 | HX4 | HX3 | Y142 | X144 |

* I.C. - Inner Contact, O.F. - Outer Ferrule

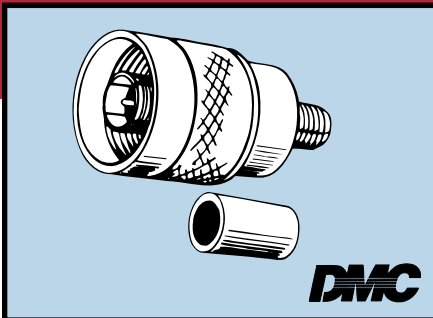
R.F. Connectors Tool Selection Guide



MIL-PRF-39012/5 SERIES N

| CONNECTOR TYPE | CONNECTOR MILITARY PART NO. |
|------------------|-----------------------------|
| PLUG RIGHT ANGLE | M39012/05-0501 |
| | M39012/05-0502 |
| | M39012/05-0503 |

| CONTACT GUIDE | | | | APPLICABLE CABLE RG-/U | CRIMP TOOL | | POSITIONER OR DIE | |
|--------------------------------------|------------|-----------|----------|------------------------|------------|-----|-------------------|------|
| CONTACT MILITARY PART NO.* | PIN OR SKT | COLORBAND | | | | | | |
| | | □ | ○ | | | | | |
| I.C. M39012/5-10 O.F. M39012/5-50 | P — | RED — | ORA — | 214 225 393 | AF8 HX4 | | TH285 Y178 | |
| I.C. M39012/5-10 O.F. M39012/5-51 | P — | RED — | ORA — | 213 | AF8 HX4 | | TH285 Y178 | |
| I.C. M39012/5-11 O.F. M39012/5-52 | P — | BLU — | ORA — | 142 400 | AF8 HX4 | HX3 | TH285 Y142 | X144 |

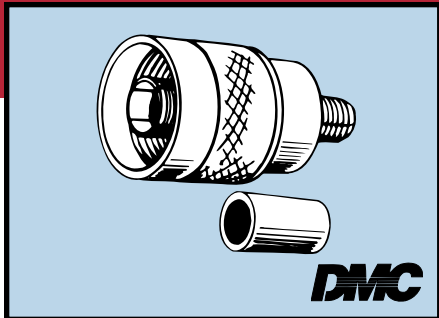


MIL-PRF-39012/26 SERIES TNC

| CONNECTOR TYPE | CONNECTOR MILITARY PART NO. |
|---------------------|-----------------------------|
| PLUG PIN CONTACT | M39012/26-0501 |
| | M39012/26-0502 |
| | M39012/26-0503 |
| | M39012/26-0504 |

| CONTACT GUIDE | | | | APPLICABLE CABLE RG-/U | CRIMP TOOL | | POSITIONER OR DIE | |
|--|------------|-----------|----------|------------------------|------------|-----|-------------------|------|
| CONTACT MILITARY PART NO.* | PIN OR SKT | COLORBAND | | | | | | |
| | | □ | ○ | | | | | |
| I.C. M39012/20-12 O.F. M39012/26-50 | P — | ORA — | YEL — | 122 | AF8 HX4 | HX3 | TH270 Y197 | X102 |
| I.C. M39012/26-11 O.F. M39012/26-50 | P — | BLU — | YEL — | 180 | AF8 HX4 | HX3 | TH270 Y197 | X102 |
| I.C. M39012/26-10 O.F. M39012/26-51 | P — | RED — | YEL — | 142 400 | AF8 HX4 | HX3 | TH270 Y197 | X102 |
| I.C. M39012/26-10 O.F. M39012/26-52 | P — | RED — | YEL — | 58 | AF8 HX4 | HX3 | TH270 Y197 | X102 |

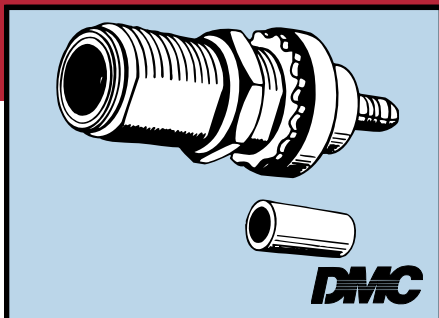
* I.C. - Inner Contact, O.F. - Outer Ferrule



MIL-PRF-39012/27 SERIES TNC

| CONNECTOR TYPE | CONNECTOR MILITARY PART NO. |
|------------------------|-----------------------------|
| PLUG SOCKET CONTACT | M39012/27-0501 |
| | M39012/27-0502 |
| | M39012/27-0503 |
| | M39012/27-0504 |

| CONTACT GUIDE | | | | APPLICABLE CABLE RG-/U | CRIMP TOOL | | POSITIONER OR DIE | |
|--|------------------|-----------|----------|------------------------------|------------|-----|-------------------|------|
| CONTACT MILITARY PART NO.* | PIN OR SKT | COLORBAND | | | | | | |
| | | □ | ○ | | | | | |
| I.C. M39012/27-12 O.F. M39012/27-50 | S — | ORA — | GRE — | 122 | AF8 | | TH270 | |
| | | | | | HX4 | HX3 | Y197 | X102 |
| I.C. M39012/27-11 O.F. M39012/27-50 | S — | BLU — | GRE — | 180 | AF8 | | TH270 | |
| | | | | | HX4 | HX3 | Y197 | X102 |
| I.C. M39012/27-10 O.F. M39012/27-51 | S — | RED — | GRE — | 142 400 | AF8 | | TH270 | |
| | | | | | HX4 | HX3 | Y197 | X102 |
| I.C. M39012/27-10 O.F. M39012/27-52 | S — | RED — | GRE — | 58 | AF8 | | TH270 | |
| | | | | | HX4 | HX3 | Y197 | X102 |



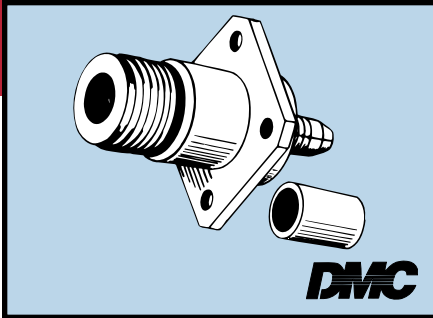
MIL-PRF-39012/28 SERIES TNC

| CONNECTOR TYPE | CONNECTOR MILITARY PART NO. |
|----------------|-----------------------------|
| JAM NUT MOUNT | M39012/28-0501 |
| | M39012/28-0502 |
| | M39012/28-0503 |
| | M39012/28-0504 |

| CONTACT GUIDE | | | | APPLICABLE CABLE RG-/U | CRIMP TOOL | | POSITIONER OR DIE | |
|--|------------------|-----------|----------|------------------------------|------------|-----|-------------------|------|
| CONTACT MILITARY PART NO.* | PIN OR SKT | COLORBAND | | | | | | |
| | | □ | ○ | | | | | |
| I.C. M39012/28-12 O.F. M39012/28-50 | S — | ORA — | BLU — | 122 | AF8 | | TH270 | |
| | | | | | HX4 | HX3 | Y197 | X102 |
| I.C. M39012/28-11 O.F. M39012/28-50 | S — | BLU — | BLU — | 180 | AF8 | | TH270 | |
| | | | | | HX4 | HX3 | Y197 | X102 |
| I.C. M39012/28-10 O.F. M39012/28-51 | S — | RED — | BLU — | 142 400 | AF8 | | TH270 | |
| | | | | | HX4 | HX3 | Y197 | X102 |
| I.C. M39012/28-10 O.F. M39012/28-52 | S — | RED — | BLU — | 58 | AF8 | | TH270 | |
| | | | | | HX4 | HX3 | Y197 | X102 |

* I.C. - Inner Contact, O.F. - Outer Ferrule

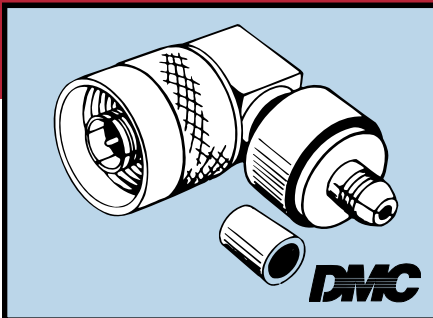
R.F. Connectors Tool Selection Guide



MIL-PRF-39012/29 SERIES TNC

| CONNECTOR TYPE | CONNECTOR MILITARY PART NO. |
|----------------------------|-----------------------------|
| RECEPTACLE FLANGE MOUNTING | M39012/29-0501 |
| | M39012/29-0502 |
| | M39012/29-0503 |
| | M39012/29-0504 |

| CONTACT GUIDE | | | | APPLICABLE CABLE RG-/U | CRIMP TOOL | | POSITIONER OR DIE | |
|--|------------|-----------|----------|------------------------|------------|-----|-------------------|------|
| CONTACT MILITARY PART NO.* | PIN OR SKT | COLORBAND | | | | | | |
| | | □ | ○ | | | | | |
| I.C. M39012/29-12 O.F. M39012/29-50 | S — | ORA — | GRE — | 122 | AF8 | | TH270 | |
| | | | | | HX4 | HX3 | Y197 | X102 |
| I.C. M39012/29-11 O.F. M39012/29-50 | S — | BLU — | GRE — | 180 | AF8 | | TH270 | |
| | | | | | HX4 | HX3 | Y197 | X102 |
| I.C. M39012/29-10 O.F. M39012/29-51 | S — | RED — | GRE — | 142 400 | AF8 | | TH270 | |
| | | | | | HX4 | HX3 | Y197 | X102 |
| I.C. M39012/29-10 O.F. M39012/29-52 | S — | RED — | GRE — | 58 | AF8 | | TH270 | |
| | | | | | HX4 | HX3 | Y197 | X102 |

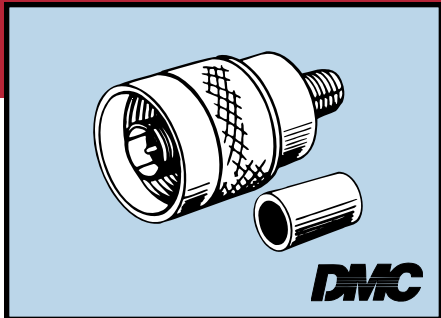


MIL-PRF-39012/30 SERIES TNC

| CONNECTOR TYPE | CONNECTOR MILITARY PART NO. |
|------------------|-----------------------------|
| PLUG RIGHT ANGLE | M39012/30-0501 |
| | M39012/30-0502 |
| | M39012/30-0503 |
| | M39012/30-0504 |

| CONTACT GUIDE | | | | APPLICABLE CABLE RG-/U | CRIMP TOOL | | POSITIONER OR DIE | |
|--|------------|-----------|----------|------------------------|------------|-----|-------------------|------|
| CONTACT MILITARY PART NO.* | PIN OR SKT | COLORBAND | | | | | | |
| | | □ | ○ | | | | | |
| I.C. M39012/30-12 O.F. M39012/30-50 | P — | ORA — | VIO — | 122 | AF8 | | TH270 | |
| | | | | | HX4 | HX3 | Y197 | X102 |
| I.C. M39012/30-11 O.F. M39012/30-50 | P — | BLU — | VIO — | 180 | AF8 | | TH270 | |
| | | | | | HX4 | HX3 | Y197 | X102 |
| I.C. M39012/30-10 O.F. M39012/30-51 | P — | RED — | VIO — | 142 400 | AF8 | | TH270 | |
| | | | | | HX4 | HX3 | Y197 | X102 |
| I.C. M39012/30-10 O.F. M39012/30-52 | P — | RED — | VIO — | 58 | AF8 | | TH270 | |
| | | | | | HX4 | HX3 | Y197 | X102 |

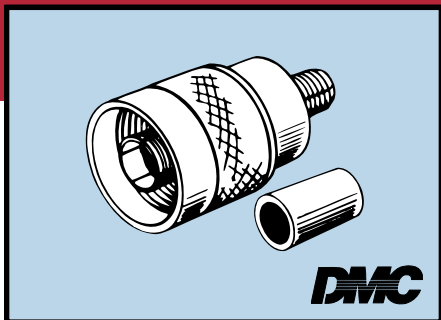
* I.C. - Inner Contact, O.F. - Outer Ferrule



MIL-PRF-39012/35 SERIES SC

| CONNECTOR TYPE | CONNECTOR MILITARY PART NO. |
|---------------------|-----------------------------|
| PLUG PIN CONTACT | M39012/35-0501 |
| | M39012/35-0502 |
| | M39012/35-0503 |

| CONTACT GUIDE | | | | APPLICABLE CABLE RG-/U | CRIMP TOOL | | POSITIONER OR DIE | |
|--|------------------|-----------|----------|------------------------------|----------------|--|--------------------|--|
| CONTACT MILITARY PART NO.* | PIN OR SKT | COLORBAND | | | | | | |
| | | □ | ○ | | | | | |
| I.C. M39012/35-10 O.F. M39012/35-50 | P — | RED — | GRA — | 214 225 393 | AF8 HX4 | | TH286 Y178 | |
| I.C. M39012/35-10 O.F. M39012/35-51 | P — | RED — | GRA — | 213 | AF8 HX4 | | TH286 Y178 | |
| I.C. M39012/35-11 O.F. M39012/35-52 | P — | BLU — | GRA — | 142 400 | AF8 HX4 HX3 | | TH286 Y142 X144 | |



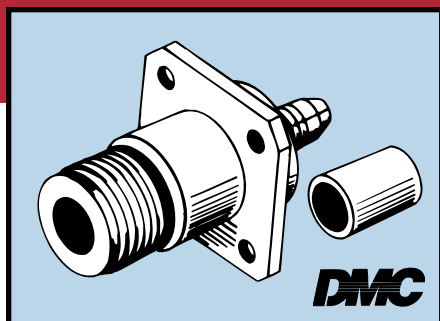
MIL-PRF-39012/36 SERIES SC

| CONNECTOR TYPE | CONNECTOR MILITARY PART NO. |
|------------------------|-----------------------------|
| PLUG SOCKET CONTACT | M39012/36-0501 |
| | M39012/36-0502 |
| | M39012/36-0503 |

| CONTACT GUIDE | | | | APPLICABLE CABLE RG-/U | CRIMP TOOL | | POSITIONER OR DIE | |
|--|------------------|-----------|----------|------------------------------|----------------|--|--------------------|--|
| CONTACT MILITARY PART NO.* | PIN OR SKT | COLORBAND | | | | | | |
| | | □ | ○ | | | | | |
| I.C. M39012/36-10 O.F. M39012/36-50 | S — | RED — | WHI — | 214 225 393 | AF8 HX4 | | TH286 Y178 | |
| I.C. M39012/36-10 O.F. M39012/36-51 | S — | RED — | WHI — | 213 | AF8 HX4 | | TH286 Y178 | |
| I.C. M39012/36-11 O.F. M39012/36-52 | S — | BLU — | WHI — | 142 400 | AF8 HX4 HX3 | | TH286 Y142 X144 | |

* I.C. - Inner Contact, O.F. - Outer Ferrule

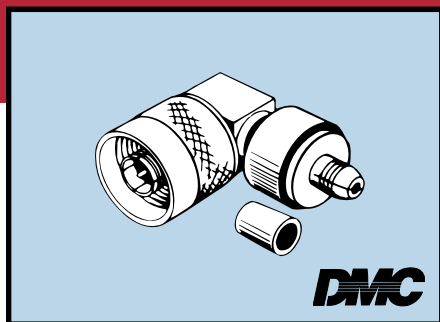
R.F. Connectors Tool Selection Guide



MIL-PRF-39012/38 SERIES SC

| CONNECTOR TYPE | CONNECTOR MILITARY PART NO. |
|---------------------------|-----------------------------|
| RECEPTACLE FLANGE MOUNTED | M39012/38-0501 |
| | M39012/38-0502 |
| | M39012/38-0503 |

| CONTACT GUIDE | | | | APPLICABLE CABLE RG-/U | CRIMP TOOL | | POSITIONER OR DIE | |
|--|------------|-----------|----------|------------------------|------------|-----|-------------------|------|
| CONTACT MILITARY PART NO.* | PIN OR SKT | COLORBAND | | | | | | |
| | | □ | ○ | | | | | |
| I.C. M39012/38-10 O.F. M39012/38-50 | S — | RED — | WHI — | 214 225 393 | AF8 HX4 | | TH286 Y178 | |
| I.C. M39012/38-10 O.F. M39012/38-51 | S — | RED — | WHI — | 213 | AF8 HX4 | | TH286 Y178 | |
| I.C. M39012/38-11 O.F. M39012/38-52 | S — | BLU — | WHI — | 142 400 | AF8 HX4 | HX3 | TH286 Y142 | X144 |

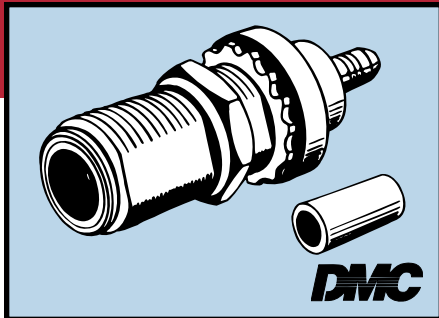


MIL-PRF-39012/39 SERIES SC

| CONNECTOR TYPE | CONNECTOR MILITARY PART NO. |
|------------------|-----------------------------|
| PLUG RIGHT ANGLE | M39012/39-0501 |
| | M39012/39-0502 |
| | M39012/39-0503 |

| CONTACT GUIDE | | | | APPLICABLE CABLE RG-/U | CRIMP TOOL | | POSITIONER OR DIE | |
|--|------------|-----------|----------|------------------------|------------|-----|-------------------|------|
| CONTACT MILITARY PART NO.* | PIN OR SKT | COLORBAND | | | | | | |
| | | □ | ○ | | | | | |
| I.C. M39012/39-10 O.F. M39012/39-50 | S — | RED — | ORA — | 214 225 393 | AF8 HX4 | | TH285 Y178 | |
| I.C. M39012/39-10 O.F. M39012/39-51 | S — | RED — | ORA — | 213 | AF8 HX4 | | TH285 Y178 | |
| I.C. M39012/39-11 O.F. M39012/39-52 | S — | BLU — | ORA — | 142 400 | AF8 HX4 | HX3 | TH285 Y142 | X144 |

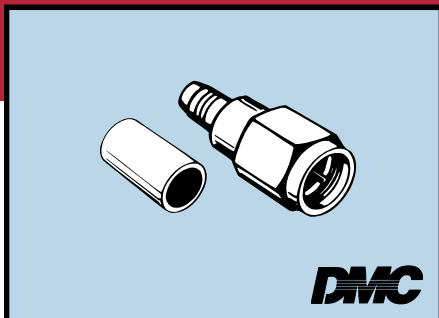
* I.C. - Inner Contact, O.F. - Outer Ferrule



MIL-PRF-39012/40 SERIES SC

| CONNECTOR TYPE | CONNECTOR MILITARY PART NO. |
|----------------|-----------------------------|
| JAM NUT MOUNT | M39012/40-0501 |
| | M39012/40-0502 |
| | M39012/40-0503 |

| CONTACT GUIDE | | | | APPLICABLE ABLE RG-/U | CRIMP TOOL | | POSITIONER OR DIE | |
|--|------------------|-----------|----------|-----------------------------|----------------|--|--------------------|--|
| CONTACT MILITARY PART NO.* | PIN OR SKT | COLORBAND | | | | | | |
| | | □ | ○ | | | | | |
| I.C. M39012/40-10 O.F. M39012/40-50 | S — | RED — | GOL — | 214 225 393 | AF8 HX4 | | TH286 Y178 | |
| I.C. M39012/40-10 O.F. M39012/40-51 | S — | RED — | GOL — | 213 | AF8 HX4 | | TH286 Y178 | |
| I.C. M39012/40-11 O.F. M39012/40-52 | S — | BLU — | GOL — | 142 400 | AF8 HX4 HX3 | | TH286 Y142 X144 | |



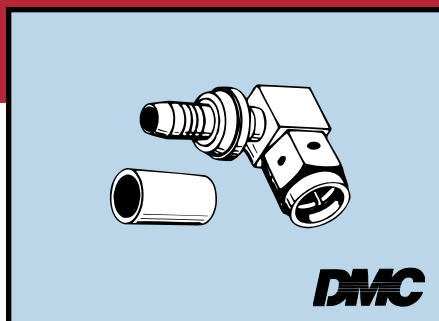
MIL-PRF-39012/55 SERIES SMA

| CONNECTOR TYPE | CONNECTOR MILITARY PART NO. |
|---------------------|-----------------------------|
| PLUG PIN CONTACT | M39012/55-3502 |
| | M39012/55-4502 |

| CONTACT GUIDE | | | | APPLICABLE CABLE RG-/U | CRIMP TOOL | | POSITIONER OR DIE | |
|--|------------------|-----------|----------|------------------------------|----------------|--|--------------------|--|
| CONTACT MILITARY PART NO.* | PIN OR SKT | COLORBAND | | | | | | |
| | | □ | ○ | | | | | |
| I.C. M39012/55-10 O.F. M39012/55-50 | P — | RED — | SIL — | 142 | AF8 HX4 HX3 | | TP485 Y142 X144 | |
| I.C. M39012/55-10 O.F. M39012/55-50 | P — | RED — | SIL — | 400 | AF8 HX4 HX3 | | TP485 Y142 X144 | |

* I.C. - Inner Contact, O.F. - Outer Ferrule

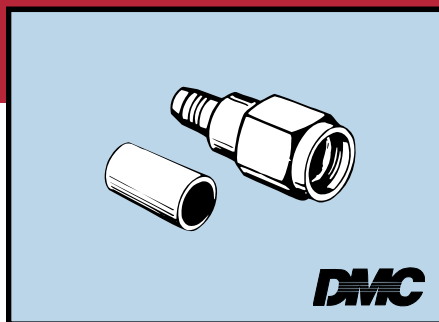
R.F. Connectors Tool Selection Guide



MIL-PRF-39012/56 SERIES SMA

| CONNECTOR TYPE | CONNECTOR MILITARY PART NO. |
|------------------|-----------------------------|
| PLUG RIGHT ANGLE | M39012/56-3502 |
| | M39012/56-4502 |

| CONTACT GUIDE | | | | APPLICABLE CABLE RG-/U | CRIMP TOOL | | POSITIONER OR DIE | |
|--|------------|-----------|----------|------------------------|------------|-----|-------------------|------|
| CONTACT MILITARY PART NO.* | PIN OR SKT | COLORBAND | | | | | | |
| | | □ | ○ | | | | | |
| I.C. M39012/56-10 O.F. M39012/56-50 | P — | RED — | MAR — | 142 | AF8 | | TP485 | |
| | | | | | HX4 | HX3 | Y142 | X144 |
| I.C. M39012/56-10 O.F. M39012/56-50 | P — | RED — | MAR — | 400 | AF8 | | TP485 | |
| | | | | | HX4 | HX3 | Y142 | X144 |

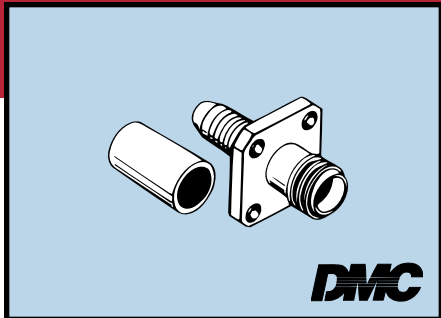


MIL-PRF-39012/57 SERIES SMA

| CONNECTOR TYPE | CONNECTOR MILITARY PART NO. |
|---------------------|-----------------------------|
| PLUG SOCKET CONTACT | M39012/57-3502 |
| | M39012/57-4502 |

| CONTACT GUIDE | | | | APPLICABLE CABLE RG-/U | CRIMP TOOL | | POSITIONER OR DIE | |
|--|------------|-----------|----------|------------------------|------------|-----|-------------------|------|
| CONTACT MILITARY PART NO.* | PIN OR SKT | COLORBAND | | | | | | |
| | | □ | ○ | | | | | |
| I.C. M39012/57-10 O.F. M39012/57-50 | S — | RED — | MAR — | 142 | AF8 | | TP485 | |
| | | | | | HX4 | HX3 | Y142 | X144 |
| I.C. M39012/57-50 O.F. M39012/57-50 | S — | RED — | MAR — | 400 | AF8 | | TP485 | |
| | | | | | HX4 | HX3 | Y142 | X144 |

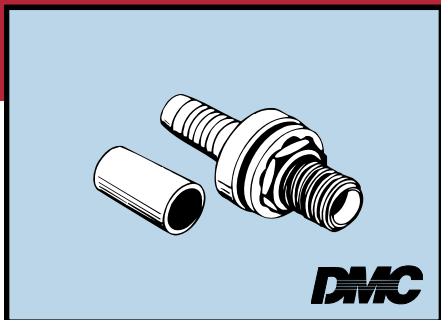
* I.C. - Inner Contact, O.F. - Outer Ferrule



MIL-PRF-39012/58 SERIES SMA

| CONNECTOR TYPE | CONNECTOR MILITARY PART NO. |
|---------------------------|-----------------------------|
| RECEPTACLE FLANGE MOUNTED | M39012/58-3502 |
| | M39012/58-4502 |

| CONTACT GUIDE | | | | APPLICABLE CABLE RG-/U | CRIMP TOOL | | POSITIONER OR DIE | |
|--|------------|-----------|-----|------------------------|------------|-----|-------------------|------|
| CONTACT MILITARY PART NO.* | PIN OR SKT | COLORBAND | | | | | | |
| | | □ | ○ | | | | | |
| I.C. M39012/58-10 O.F. M39012/58-50 | S | RED | MAR | 142 | AF8 | | TP485 | |
| | — | — | — | | HX4 | HX3 | Y142 | X144 |
| I.C. M39012/58-10 O.F. M39012/58-50 | S | RED | MAR | 400 | AF8 | | TP485 | |
| | — | — | — | | HX4 | HX3 | Y142 | X144 |



MIL-PRF-39012/59 SERIES SMA

| CONNECTOR TYPE | CONNECTOR MILITARY PART NO. |
|-----------------|-----------------------------|
| JAM NUT MOUNTED | M39012/59-3502 |
| | M39012/59-4502 |

| CONTACT GUIDE | | | | APPLICABLE CABLE RG-/U | CRIMP TOOL | | POSITIONER OR DIE | |
|--|------------|-----------|-----|------------------------|------------|-----|-------------------|------|
| CONTACT MILITARY PART NO.* | PIN OR SKT | COLORBAND | | | | | | |
| | | □ | ○ | | | | | |
| I.C. M39012/59-10 O.F. M39012/59-50 | S | RED | MAR | 142 | AF8 | | TP485 | |
| | — | — | — | | HX4 | HX3 | Y142 | X144 |
| I.C. M39012/59-10 O.F. M39012/59-50 | S | RED | MAR | 400 | AF8 | | TP485 | |
| | — | — | — | | HX4 | HX3 | Y142 | X144 |

* I.C. - Inner Contact, O.F. - Outer Ferrule

Mid-Current Range Adjustable Indent Crimp Tools



For power supply and power management applications, DMC offers our Industrial Mid-Current Range Adjustable Crimp Tools which have virtually limitless applications within the specified **wire range of 6 through 18 AWG**. The tools are used widely in the marine, rail, power generation, solar, and heavy transportation industries.

The Mid-Current Range Adjustable Crimp Tools are similar to our Standard Adjustable Indent Crimp Tool but have an enlarged crimp cavity to accommodate mid-current power contacts. Turret heads and positioners are available to adapt the tool frames to your specific contact/wire combination. The 8 impression crimp assures absolute maximum tensile strength with almost every closed barrel contact. Special indent configurations are available upon request.

For proper operation, the tool must be mated with a multi-position turret head (or a single-position positioner. These are attached by orienting the positioner in the keyed position and by tightening the hex socket screws provided as part of the positioner.

A permanent dataplate is affixed to all turret heads and positioners. This plate lists specific contact part numbers, the corresponding position color code (for 3 position turret heads), and suggested selector depth settings for the wire size being used.

On most models, crimp depth is con-

trolled by a position selector knob located on the tool frame. The operator simply dials the desired step for the wire being used. This setting can be secured by use of a locking pin or safety wire.

As with our Military Standard crimp tools, the cycle controlled ratchet assures a complete crimp every time. The carefully engineered design achieves the absolute maximum mechanical advantage.

Periodic gaging is recommended to insure accurate calibration. This can be done easily by setting the tool selector knob to the designated position and checking indenter closure with the "GO/NO-GO" gage designated for each tool.

These tools measure 9 $\frac{3}{4}$ " x 2 $\frac{1}{2}$ " x 1 $\frac{1}{4}$ " approximately and weighs less than a pound.

NOTE: Crimping wires and contacts in this range requires increased hand force in comparison with other common hand crimpers, therefore use of this hand tool should be limited to short run production and maintenance applications.

Powered versions of these tools are available for production and repetitive use (see page 13).



The **M320** is designed for Siemens Industrial Automation contacts, 6FX2003 Series. The M320 crimps both the conductor and the insulation. This tool is not available in a pneumatic version.

M320 APPLICATIONS

| POSITIONER P/N | CONTACT MFG. & PART NUMBER |
|----------------|---|
| TH579-1 | Siemens Industrial Automation 6FX2003-5AA00 (Conductor) Siemens Industrial Automation 6FX2003-5AB00 (Insulation) |
| TH580-1 | Siemens Industrial Automation 6FX2003-5AC00 (12 & 16 Conductor, Insulation) |
| TH581-1 | Siemens Industrial Automation 6FX2003-5AD00 (Conductor, Insulation) |



The M300BT is designed for pin and socket contracts, **AWG sizes 6-14**. This tool is available in a pneumatic version, P/N WA27-300BT-EP.

| M300BT APPLICATIONS | |
|---------------------|--|
| POSITIONER P/N | CONTACT MFG. & PART NUMBER |
| SP587 | BURNDY RC14P1E0PI-RC12P1E0PI & RC10P1E0PI |
| SP593 | SOCAPEX CONTACTS-SOURIAU 8400 TOOL |
| SP604 | DEUTSCH 047 1325 08 & 047 1326 08 |
| SP708 | DEUTSCH 1841-5-5608 & 18-007-08-9056 |
| SP858 | TYCO # 213552-2 2, 211161-1 |
| TP1018 | ROSEMONT SST SLEEVE |
| TP1029 | (MAC MISSILE SYSTEMS) U.S. NAVY |
| TP1031 | CROUSE HINDS 314263-110 PIN |
| TP1032 | CROUSE HINDS 314262-110 SKT. |
| TP1033 | BG SERVICE 22344-ASS'Y |
| TP1054 | CROUSE HINDS A600568 MINI-CHANGE STYLE III, 600565 |
| TP1055 | CROUSE HINDS A600568 STYLE MINI-LINE, 600566 GRN PIN |
| TP1059 | HARTING 09030006214, 09030006215 |
| TP1060 | CROUSE HINDS P1315209-270, -260, -250, -240, -230 |
| TP1062 | CROUSE HINDS P314262-150, -140, -130, -120 |
| TP1064 | CROUSE HINDS P1315366-130, -120, -110 |
| TP1077 | DELTA TECH SLEEVE STOP / COIL ASS'Y |
| TP1097 | MULTI-CONTACT FRANCE 4FL 4 295 00 |
| TP1111 | AMPHENOL SOCAPEX 17DM53745-201, 17DM53744-201 |
| TP1114 | HYPERTRONICS YSK035-058GT |
| TP1151 | TYCO 212007, 212008, 211159 & 211161 |
| TP1159 | RADIALL 616366 |
| TP1169 | BURNDY 82911679N |

| M300BT APPLICATIONS | |
|---------------------|--|
| POSITIONER P/N | CONTACT MFG. & PART NUMBER |
| TP1188 | AMPHENOL SOCAPEX 900198-91 |
| TP1193 | CKB S24923-000A3 |
| TP1194 | CKB S24924-000 A3 |
| TP1222 | WIELAND Z2 124 9521 0 |
| TP1240 | REF. FISCHER WIRE & PLASTIC |
| TP1286 | MULTI-CONTACT 7-1261-01e & 7-2102-08 |
| TP1318 | FRAMATOME 8902-210 & 8902-225 |
| TP1378 | CORY CMP004-103 & FCT FMP004-13 |
| TP1401 | GAUTHIER G7500-P10-A0 |
| TP1404 | BURNDY 360J2224B7 |
| TP714 | SOURIAU 8476-28, 57888, 62622 |
| TP799 | 8476-206 |
| TP800 | 8476-207 |
| TP823 | RADIALL 282 551 |
| TP826 | ITT CANNON CDR897-0003, -0006 |
| TP827 | ITT CANNON CDR897-0004, -0007 |
| TP852 | CONTACT # E. F. JOHNSON P/N 12-2989-0528-7 |
| TP870 | ITT CANNON #031-0909-000, 031-0908-000 |
| TP887 | MULTI-CONTACT USA 05.0004 |
| TP894 | INTERCONNEXION CB-148-8-P, CD132-8-S |
| TP905 | JUPITER M-8-MS, K-8-MS OCETA |
| TP907 | AECMA EN3155-044, EN3155-045 |
| TP908 | FRB CONNECTRON 0350-24 |
| TP910 | FRB CONNECTRON 80-0200, 0200-47 |

| M300BT APPLICATIONS | |
|---------------------|--|
| POSITIONER P/N | CONTACT MFG. & PART NUMBER |
| TP916 | SOURIAU 8819-118, 8819-119 |
| TP924 | SN 2377K100 |
| TP927 | LIVINGSTON 51469-1 (OCETA) |
| TP929 | ELCON 702-31-01107 |
| TP936 | SOURIAU 8819-176 & -177 |
| TP967 | ITT CANNON 020436Y0000, 020437Y0000 SIZE 12 |
| TP968 | ITT CANNON 020434Y0000, 020435Y0000 SIZE 8 & 12 |
| TP978 | C.K.B. 0371-0004AS0, 0371-0003AS0 |
| TP982 | AMPHENOL 17-766-02 |
| TP986 | AIR LB P/N 001104-620 & 001104-630 |
| TH558 | BURNDY 3401040 |
| TH579 | Siemens Industrial Automation 6FX2003-5AA00 (Conductor) Siemens Industrial Automation 6FX2003-5AB00 (Insulation) |
| TH580 | Siemens Industrial Automation 6FX2003-5AC00 (16 & 12 Conductor, Insulation) |
| TH581 | Siemens Industrial Automation 6FX2003-5AD00 (Conductor, Insulation) |
| TH632 | Siemens Industrial Automation 6FX2003-5AC00 (10 & 8 Conductor, Insulation) |
| TH640 | Siemens Industrial Automation 6FX2003-4AB00 (Conductor, Insulation) |
| TH641 | Siemens Industrial Automation 6FX2003-4AC00 (16 & 12 Conductor, Insulation) |

Mid-Current Range Adjustable Indent Crimp Tools



The **M309** is designed for pin and socket contacts, **AWG sizes 8-18**. This tool is available in pneumatic versions, P/Ns WA27-309-2C, WA27-309, WA27-309-EP.

| M309 APPLICATIONS | |
|-------------------|--|
| POSITIONER P/N | CONTACT MFG. & PART NUMBER |
| TP1014 | REF EWC |
| TP1058 | HARTING 09030006213 |
| TP1061 | CROUSE HINDS P1315209-210 |
| TP1063 | CROUSE HINDS P314262-110 |
| TP1067 | CROUSE HINDS 1463105-110, -120, 1463106-110, -120 |
| TP1071 | FCT FMP002P-, 002P-A, ETC. |
| TP1072 | FMP002 & -, 002S-A, ETC. |
| TP1073 | FCT FMP01-, FMP043S |
| TP1074 | FCT FMP018S -, FMP043S |
| TP1075 | FMP018P -, 043P |
| TP1087 | CROUSE HINDS 600221 |
| TP1094 | TYCO 193796-1, 193797-1, 193841-1, 19382-1 |
| TP1116 | POSITRONIC *C4008D, *C4012D, *C4016D |
| TP1122 | M50130A |
| TP1123 | T & B 222-14-148 OR HARTING 0903006215 |
| TP1124 | TYCO 2-194035-2, -4, -5, -7, -8, & 3-19035-1, -0, -3 |
| TP1125 | TYCO 194032-5, -7 |
| TP1132 | SOURIAU 8291-1682, 8-1683N |
| TP1138 | CONMED 20063 |

| M309 APPLICATIONS | |
|-------------------|---|
| POSITIONER P/N | CONTACT MFG. & PART NUMBER |
| TP1141 | NABSON 062095 |
| TP1150 | MULTI-CONTACT 32-0100 & 32-0500 |
| TP1152 | ODU 345 24 2315 401 |
| TP1156 | BOSTON SCIENTIFIC CORP. BURNDY CONNECTOR |
| TP1164 | SODERBER DS0009B |
| TP1179 | HYPERTRONICS YPN025-002G, YSK025-003AH, YPN025-003G, YSK025-004AH |
| TP1214 | TYCO 212007-1 / 212008-1 |
| TP1221 | TYCO 194245 |
| TP1224 | TYCO 212013-1 & 212014-1 |
| TP1235 | TYCO 194189 |
| TP1244 | GM POWERTRAIN SOCKET CONTACT |
| TP1247 | TYCO 193846-1 |
| TP1264 | CONEC 610FET1A |
| TP1265 | CONEC 610FET2A |
| TP1266 | BURNDY JVSP00080B & JVSS00080B |
| TP1284 | HYPERTRONICS YSK025-031 & YPN025-024 |
| TP1296 | WIELAND Z2 124 9521 0 |
| TP1317 | GEOSERVICES 4805-136 |
| TP1320 | RETCONN 22-1013 & 22-1036 |



The **M300-25A** is designed for Pyle National Starline pin and socket contacts, **AWG sizes 10-18**. This tool is available in a pneumatic version, P/N WA27CL-25A.

| M300-25A APPLICATIONS | |
|-----------------------|----------------------------------|
| POSITIONER P/N | CONTACT MFG. & PART NUMBER |
| TP682-1 | PYLE NAT. # 16 & #18 |
| TP683-1 | PYLE NAT. #12 PINS |
| TP684-1 | PYLE NAT. #10 P&S, & #12 SOCKETS |



The **M310** is designed for pin and socket contracts, **AWG sizes 8-16** and has an enlarged crimp cavity to accommodate oversized contacts.

| M310 APPLICATIONS | |
|-------------------|---|
| POSITIONER P/N | CONTACT MFG. & PART NUMBER |
| TP1008 | US AIR F18008-08-9056 |
| TP1013 | TYCO 193796-1, 193797-1, 193841-1, 193842-1 |
| TP1019 | TYCO 193837-1 |
| TP1020 | TYCO 193837-2, -3 |
| TP1021 | TYCO 193673-1 |
| TP1022 | TYCO 193673-2, -3 |
| TP1030 | 3M CD353 |
| TP1040 | ARRAY 806-0598-000 & 857-0590-130 |
| TP1041 | ARRAY 806-0599-00A, -00B & 857-0591-130/A, -130/B |
| TP1042 | ARRAY 806-0599-000 & 857-0591-130 |
| TP1068 | TYCO 193990 & 193991 TYPE XII ("S" REMOVED PER AMP) |
| TP1088 | TYCO 193991-1 & -3 ("S" REMOVED PER AMP) |
| TP1154 | REF. AC & E INDUSTRIES |
| TP1162 | HYPERTRONICS YPN006-124H |
| TP1216 | POSITRONIC INDUS. |
| TP1232 | HYPERTRONICS YPN035-005, -006, -007, YSK035-009, -010, -011 |
| TP792 | HYPERTRONICS YPN015-031, YSK015-041 |

| M310 APPLICATIONS | |
|-------------------|--|
| POSITIONER P/N | CONTACT MFG. & PART NUMBER |
| TP793 | HYPERTRONICS YSK025-011 + -02, YPN025-009 + -010 |
| TP802 | FOR FRB CONTACTS 34-0300, 0300-12, 0300-17 |
| TP806 | FRB CONTACTS 0200-03, 0200-29, 0200-36 SOC. |
| TP807 | FRB CONTACTS 31-0200, 58-0200, 64-0200 PIN |
| TP813 | JUPITER CONTACTS BM-2611-5038ST-BF-201-150ST |
| TP814 | FOR FRB CONTACT 29-0300 |
| TP880 | SMIT SLIKKERVEER #F-187306, #F-187307 |
| TP890 | FRB 0250-B-17G, -20G, 18-0250G, 20-0250G |
| TP891 | FRB 13-0350G, 0350-B13G, 0350G, 0350-B-12G |
| TP902 | HYPERTAC HST154 PIN, HST153 SKT |
| TP935 | HYPERTRONICS YSK035-02G, ETC. |
| TP942 | HYPERTRONICS YSK035-048 |
| TP944 | TYCO M310 USE TP944-1 WITH WA27-309-EP |
| TP965 | FRB CONNECTRON 0300-20, 0300-24 |
| TP974 | POSITRONICS |
| TP999 | CONNEL 16600,16601 |



The **M321** is designed for the rail transportation industry.

| M321 APPLICATIONS | |
|-------------------|---|
| POSITIONER P/N | CONTACT MFG. & PART NUMBER |
| TP1002 | CKB CC1000C0M006, CC1000C0F006 |
| TP1023 | CKB SE0801-109 & SE0801-108 |
| TP1024 | CKB S24296-000B3 & S24263-000B3 |
| TP1035 | CKB S24265-000A3 |
| TP1036 | CKB S24298-000A3 |
| TP1044 | SOURIAU 8819-176, -177 (SIMILAR TP936 EXCEPT FOR M317) |
| TP1045 | SOURIAU 8819-118, 8819-119 |
| TP1052 | BURNDY J383S1K-0006A01, J383P1K-0006A01 |
| TP1065 | CKB SE1239-007 (P), SE0692-130 (S) |
| TP1080 | CKB 669-65 & 669-67 |
| TP1131 | AMPHENOL SOCAPEX 17DM53744-201, -206, -207, 17DM53745-201, -207, -208 |
| TP1161 | F.C.F. 10A-8638PPC100X, 10A-8638PSC100X, 20A-8638PPC200X, 20A-8638PSC200X, 40A-8638PPC400X, 40A-8638PSC400X |
| TP1163 | FRB CONNECTRON 0200-47/80-0200 |
| TP1338 | CKB SOCKET CONTACT |
| TP1339 | CKB PIN CONTACT |
| TP805 | FRB CONTACTS 0350B11, -B12, -B13, 11-0350, 12-0350, 13-0350 |
| TP909 | FRB CONNECTRON 0200-42, 73-0200 |
| TP911 | FRB CONNECTRON 0300-21, 0300-17, 34-0300, 0300-23, 39-0300 |
| TP912 | FRB CONNECTRON 38 0300 |
| TP957 | HARTING 0932 000 6107, 6207, 6108, 6208 |
| TP971 | C.K.B. 0572-1016A4A |

OTHER MID-RANGE TOOLS

The **M316** is designed for crimping Sundstrand Aviation contacts #5905143 onto 16 AWG solid wire.

The **M322** is designed for Therm-X Terminal Assembly (pin and socket) contacts.

The **M327** is designed for Greene Tweed 5672-1998 (pin and socket) contacts.



Circular Indent Crimp Tools

CIRCULAR CRIMP TOOLS

DMC makes a range of Circular Indent Crimp Tools used primarily for outer shield terminations in contacts. These tools are capable of crimping a circle as small as 0.040" and as large as 0.262". Due to the nature of crimping a complete circle, with four equal segments each tool is specified for a certain diameter. See the charts on this page for diameter sizes and part numbers.

| CIRCULAR CRIMP TOOLS BY CRIMP DIMENSION | | |
|--|----------|-------|
| CIRCULAR CRIMP DIMENSION | TOOL P/N | GAGE |
| 0.042-0.046" | GS210 | G925 |
| 0.061-0.065" | GS205 | G450 |
| 0.065-0.099" | GS8-3 | G941 |
| 0.080-0.084" | GS212 | G732 |
| 0.086-0.090" | GS225 | G919 |
| 0.093-0.097" | GS221 | G881 |
| 0.096-0.100" | GS222 | G120 |
| 0.124-0.128" | GS223 | G917 |
| 0.140-0.144" | GS226 | G1056 |
| 0.142-0.146" | GS218 | G443 |
| 0.154-0.158" | GS201 | G446 |
| 0.156-0.160" | GS101 | G445 |
| 0.167-0.171" | GS227 | G1057 |
| 0.190-0.194" | GS219 | G848 |
| 0.197-0.201" | GS208 | G533 |
| 0.234-0.238" | GS213 | G926 |
| 0.258-0.262" | GS206 | G426 |

| CIRCULAR CRIMP TOOLS BY PART NUMBER | | |
|--|-----------------------------|-------|
| TOOL P/N | CIRCULAR CRIMP DIMENSION | GAGE |
| GS101 | 0.156-0.160" | G445 |
| GS201 | 0.154-0.158" | G446 |
| GS205 | 0.061-0.065" | G450 |
| GS206 | 0.258-0.262" | G426 |
| GS208 | 0.197-0.201" | G533 |
| GS210 | 0.042-0.046" | G925 |
| GS212 | 0.080-0.084" | G732 |
| GS213 | 0.234-0.238" | G926 |
| GS218 | 0.142-0.146" | G443 |
| GS219 | 0.190-0.194" | G848 |
| GS221 | 0.093-0.097" | G881 |
| GS222 | 0.096-0.100" | G120 |
| GS223 | 0.124-0.128" | G917 |
| GS225 | 0.086-0.090" | G919 |
| GS226 | 0.140-0.144" | G1056 |
| GS227 | 0.167-0.171" | G1057 |
| GS8-3 | 0.065-0.099" | G941 |



DEDICATED APPLICATION CIRCULAR CRIMP TOOLS

Some of our Circular Crimp Tools already have turrets & positioners custom designed to accommodate common contacts.

| DEDICATED APPLICATION CIRCULAR CRIMP TOOLS | | | | |
|--|---|----------------------------|-------|-----------------------|
| TOOL P/N | APPLICATION | CRIMP DIMENSION | GAGE | POSITIONERS AVAILABLE |
| GS100-1 | Tyco, Amphenol, & Radiall Contacts (See Chart) | 0.096-0.100" | G120 | 6 |
| GS200-1 | Amphenol/Bendix, Radiall, & Tri-Star Contacts (See Chart Below) | 0.142-0.146" | G443 | 5 |
| GS209 | Amphenol Intermediate Contacts 21-33197-10, 21-33198-10 | 0.154-0.158" | G446 | 1 |
| GS212 | Amphenol & Sabritec Contacts (See Chart Below) | 0.080-0.084" | G732 | 10 |
| GS218 | Amphenol Contacts 10-589514-126, NZGC-X50-12PB-5, NZGC-X50-12SB-5, NZGC-X75-12PB-6, NZGC-X75-12SB-6 | 0.142-0.146" | G443 | 1 |
| GS222 | Positronic MC11NS, FC112N2S, FC112N2S-1565.0 | 0.096-0.100" | G120 | 1 |
| GS223 | Positronic FC610N2S, MC610NS, SK4195, SK4196 | 0.124-0.128" | G917 | 2 |
| GS225 | Amphenol 21-33908-29, 21-33909-29 | 0.086-0.090" | G919 | 1 |
| GS227 | Deutsch Contact 59155-000-Socket, 59155-000-Pin | 0.167- 0.171" | G1057 | 1 |
| GS2XE | Unstripped Wire End Caps Pneumatic Version: WA27XE-EP | 0.123-0.129 0.134-0.140 | G719 | 1 |
| GS8-3 | 8 Step Tool | 0.065-0.099" | G941 | 1 |

| POSITIONER LIST FOR GS100-1 | |
|-----------------------------|---|
| POSITIONER | CONTACT MFG. & P/N |
| GP1256 | AMPHENOL 21-33655-5 |
| GP295 | SINGLE POSITIONER MIL-C-24308 OUTER PIN & SOC. |
| GP385 | AMP P71-2979-3,4,5,6 , P71-2980-1,2 |
| GP425 | AMP P71-2979-3, 4, 5, 6 & P71-2980-1, 2 |
| GP475 | AMP P71-2979 , P71-2980 |
| GP926 | RADIALL EPX 617130, 617131, 617132, 617030, 617031, 617032 |

| POSITIONER LIST FOR GS200-1 | |
|-----------------------------|---|
| POSITIONER | CONTACT MFG. & P/N |
| GP1596 | TRI-STAR 317-16CX-091 |
| GP1256 | AMPHENOL 21-33655-5 |
| GP781 | INTERMEDIATE BRAID #10 TRIAXIAL CONTACT |
| GP926 | RADIALL EPX 617130, 617131, 617132, 617030, 617031, 617032 |
| G2P330 | #12 BENDIX COAX GS200 |

| POSITIONER LIST FOR GS209 | |
|---------------------------|--|
| POSITIONER | CONTACT MFG. & P/N |
| TH551 | Amphenol 21-33197-10, 21-33198-10 Intermediate Contact |

| POSITIONER LIST FOR GS212 | |
|---------------------------|---|
| POSITIONER | CONTACT MFG. & P/N |
| GP1015 | DEUTSCH 533 433-4 |
| GP1120 | AMPHENOL 21-33908-3 ASS'Y |
| GP1121 | AMPHENOL 21-33909-3 ASS'Y |
| GP1243 | AMPHENOL 21-33754-2 |
| GP1613 | AMPHENOL 21-33908-25 & 21-33909-25 |
| TH553 | Amphenol Intermediate Contacts L-38151-897, L-38151-907 |
| TP1359 | SABRITEC SL-10 |
| TP1360 | SABRITEC SL-12 |
| TP1361 | SABRITEC SL-14 |
| TP1369 | SABRITEC SL-16 |

| POSITIONER LIST FOR GS223 | |
|---------------------------|-------------------------------|
| POSITIONER | CONTACT MFG. & P/N |
| TP1386 | POSITRONIC FC610N2S & MC610NS |
| TP1458 | POSITRONIC SK4195 & SK4196 |

| POSITIONER LIST FOR GS222 | |
|---------------------------|---|
| POSITIONER | CONTACT MFG. & P/N |
| TP1366 | POSITRONIC MC112NS; FC112N2S; FC112N2S-1565.0 |

| POSITIONER LIST FOR GS225 | |
|---------------------------|------------------------------------|
| POSITIONER | CONTACT MFG. & P/N |
| GP1611 | AMPHENOL 21-33908-29 & 21-33909-29 |

Special Application Indent Crimp Tooling

To keep pace with the most recent developments in technology, DMC is often called upon to custom engineer tooling for the medical, telecommunication, electronics, aerospace, and alternative energy industries. Some of these applications require unique indent configurations, special materials, and multi-stage crimps. Some of the special application tools we've developed in the past are listed on the following pages.

DMC is ready and capable to help satisfy your tooling needs with custom engineered tools and dies. Contact us with your requirements.

FINE TIPPED INDENTER TOOLS (MODELS MH835 & MH992)

The **MH835 & MH992** Fine Tipped Indenter tools are similar to the AFM8 miniature adjustable indent crimp tool, but have sharper indenter tips measuring .07 inches. The **MH835** tool produces a 4-indent crimp while the **MH992** tool produces an 8-indent crimp.

The **MH835** has eight crimp settings from 0.0070" to 0.0325" and is gaged with the G619 Go/No-Go gage. The pneumatic power version of this tool is the **WA22BH**.

The **MH992** has eight crimp settings from 0.0070" to 0.0330" and is gaged with the G822 Go/No-Go gage. The tool is 6¾" in length and weighs approximately 10 oz. The pneumatic power version of this tool is the **WA22AE**.

| MH835 POSITIONERS | | |
|-----------------------------|-------------|---------------------------|
| P/N | DESCRIPTION | PURPOSE |
| K1618 | POSITIONER | 2999803003 Cinch |
| K1643 | POSITIONER | B882D05 ATI |
| K1688S | POSITIONER | 92286 NDC Nitinol |
| K1705 | POSITIONER | D4601-L3 Signal Integrity |
| K1706 | POSITIONER | E5656-H8 Signal Integrity |
| K1735S | POSITIONER | 100.005.955 Kistler |
| K1754SP | POSITIONER | 8300-0165 Ulti-Mate |
| K1761SP | POSITIONER | 30/30/00/000 Glenair |
| K1762 | POSITIONER | 31/30/00/000 Glenair |
| G619 | GAGE | Go-No Go Test for MH835 |
| Other Positioners Available | | |

| MH992 POSITIONERS | | |
|-----------------------------|-------------|---|
| P/N | DESCRIPTION | PURPOSE |
| K1072 | POSITIONER | Tri-Tech |
| K1183S | POSITIONER | D1003, Eii Connectors |
| K1303 | POSITIONER | M39029/102-559 SKT |
| K1304 | POSITIONER | M39029/103-559 PIN |
| K1360 | POSITIONER | 21-33664-7M, 21-3365-7M Amphenol |
| K1409 | POSITIONER | Rosenberger |
| K1597 | POSITIONER | Packets D-G Cook Inc |
| K1605 | POSITIONER | 6362-223-1231 Deutsch |
| K1624 | POSITIONER | 2999804004 Cinch |
| K1631 | POSITIONER | 6362-226-1231, 6362-227-1231 Deutsch |
| K1632 | POSITIONER | Medical Implant Cochler |
| K1702S | POSITIONER | .028x.100LG Ferrule Accellent |
| K1704S | POSITIONER | #12 Quadrax Pin/Socket W. L. Gore & Assoc |
| K1709S | POSITIONER | 3362-204-1231 Deutsch |
| K1721 | POSITIONER | 859-006 Glenair |
| K1730S | POSITIONER | 857-000-280 Ultra Precision |
| K1733S | POSITIONER | 3061-0-19-xx-21-xx10-0 Mill-Max |
| K1734S | POSITIONER | ETH4-0011A-D ETH4-0012A-D Souriau |
| K1739S | POSITIONER | 1996972-2 Tyco |
| K1744 | POSITIONER | 610870 Deutsch |
| K1751S | POSITIONER | TEM Samtec |
| K1752S | POSITIONER | C-295-XX-X Samtec |
| K1755 | POSITIONER | 1996972-2 Tyco |
| K1756 | POSITIONER | 1996972-4 Tyco |
| K1764 | POSITIONER | BNC7T-P-C-M-ST-CA6-PIN Samtec |
| G822 | GAGE | Go-No Go Test for MH992 |
| Other Positioners Available | | |



Special Application Indent Crimp Tooling

ULTRA PRECISION CRIMP TOOL (MODEL MH800)

All DMC tools are designed and built to the highest standards of precision and quality, but some applications call for more. One such case is contacts which have extremely thin wire barrel dimensions. The answer to this demand is the model **MH800** Ultra Precision Crimp Tool which utilizes the same basic components as the Model AFM8 (M22520/2-01) Crimp Tool with tighter gaging tolerances and a special indenter tip configuration that assures a uniform flow of metal during the crimping operation.

The model **MH800** accommodates wire sizes 20 thru 32 AWG (the miniature to sub-miniature range). It accommodates the K series or M22520/2-XX positioners and is easily identified by a distinctive orange handle grip. It is 6¾" in length and weighs approximately 10 oz. Gaging is accomplished with the G100 "GO/NO-GO" gage. The pneumatic power version of this tool is the WA22H.



| MH800 POSITIONERS | | |
|-----------------------------|-------------|--|
| P/N | DESCRIPTION | PURPOSE |
| K4 | POSITIONER | 2202-16-0101 PIN, 2203-8-0101 PIN STK Deutsch |
| K5 | POSITIONER | 2202-17-0101 SOC, 2203-9-0101 SOC STK Deutsch |
| K30C | POSITIONER | Deutsch Coax |
| K127 | POSITIONER | 2841-5-++00 RSM 2803-4-++00 RSM 100060-++TJ 2841-13-++00 RSM 2803-10-++00 RSM Deutsch |
| G100 | GAGE | Go-No Go Test for MH800 |
| Other Positioners Available | | |

STEEL INDENTER CRIMP TOOL (MODEL MH820 & MH820P)

The **MH820** Steel Indenter Crimp Tool is similar to the AFM8 miniature adjustable indent crimp tool, but has indenters made from steel to crimp harder materials and extend the indenter life.

The **MH820** has eight crimp settings from 0.011" to 0.038" and is gaged with the G212 Go/No-Go gage. The tool is 6¾" in length and weighs approximately 10 oz. The pneumatic power version of this tool is the WA22M.

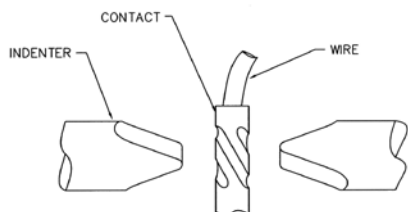


| MH820 POSITIONERS | | |
|-----------------------------|-------------|-------------------------------------|
| P/N | DESCRIPTION | PURPOSE |
| AC702 | POSITIONER | Meditech Wire Brush |
| K166 | POSITIONER | 294-1514 Mini-Tac Pin Amphenol |
| K277 | POSITIONER | 221-759P, 357- 301-03 Amphenol |
| K278 | POSITIONER | 221-760S, 357- 301-04 Amphenol |
| K1572SP | POSITIONER | 582-110-2828 (Socket) Amphenol |
| K1573 | POSITIONER | 582-110-28283 Amphenol |
| K1740S | POSITIONER | ACB4P, ACB4S Center Contact Axon |
| G212 | GAGE | Go-No Go Test for MH820 |
| Other Positioners Available | | |

Special Application Indent Crimp Tooling

BIASED CRIMP TOOLS (MODELS SC8 & MH993)

Our Biased Crimp tools have a 4 indent pattern with the flat-tipped indenters that are offset at an angle of 45 degrees to produce a radial or spiral pattern around the application, typically a seamed or formed barrel contacts. This indent pattern is also useful for holding springs (or spring like devices) to a tube or solid rod. We offer two Biased Crimp tools, the SC8 for sizes 12 thru 26 AWG and the MH993 for 20 thru 32 AWG.



The model **SC8** has single flat-tipped indenters and accommodates wire sizes 12 thru 26 AWG. It accommodates the TP series positioners. It is 9 $\frac{3}{4}$ " in length and weighs approximately 15 oz. Gaging is accomplished with the G125 "GO/NO-GO" gage.

The pneumatic power version of this tool is the WA27AJ.

The model **MH993** has double tipped indenters and accommodates wire sizes 20 thru 32 AWG (the miniature to sub-



miniature range). It accommodates the K series positioners. It is 6 $\frac{3}{4}$ " in length and weighs approximately 10 oz. Gaging is accomplished with the G125 "GO/NO-GO" gage.

The pneumatic power version of this tool is the WA22BC.



| SC8 BIASED CRIMP TOOL | | |
|-----------------------|-------------|----------------------------|
| DMC P/N | DESCRIPTION | PURPOSE |
| TP1189 | POSITIONER | CONXALL 680-SG (SC8) |
| TP1190 | POSITIONER | CONXALL 586-SG (SC8) |
| TP1191 | POSITIONER | CONXALL 5053-20 GS (SC8) |
| TP1621 | POSITIONER | CONXALL 587-PGN5 & 586-SUN |
| G125 | GAGE | Go-No Go Test for SC8 |



| MH993 BIASED CRIMP TOOL | | |
|-------------------------|-------------|------------------------------------|
| DMC P/N | DESCRIPTION | PURPOSE |
| K484 | POSITIONER | 65-275-1 (26-30), 65-275-2 (20-24) |
| K1287S | POSITIONER | 610-110-101 Virginia Panel |
| K1732 | POSITIONER | 587-PGN5 Conxall |
| K1749 | POSITIONER | 587-PGN Conxall |
| G125 | GAGE | Go-No Go Test for MH993 |

Dedicated Application Indent Crimp Tooling

TWO-LEVEL INDENT CRIMP TOOL FOR BURNDY YHMM SERIES CONTACTS (MODEL LH8)

The **LH8** tool produces both conductor and insulation crimps simultaneously on Burndy YHMM series contacts used in many aircraft wiring systems (Boeing contact designations BACC47DE4 & BACC47DE5). It is functionally comparable to the Burndy M10S-1 crimp tool with S1 Die & SL-53 Stop Bushing (Combination).

The tool comes with a dedicated turret head positioner, LH281. It is gaged with gages G687 for the conductor & G743 for the insulation. The tool is approximately 9¼" x 2½" x 1¼" and weighs 15 oz. The pneumatic power version of this tool is the **WA27LH**.



MIL-C-22442/32-1 CLAMPING RING CRIMP TOOL

The **GS217** is designed to crimp clamping and retaining rings onto cable or wire in accordance with MIL-C-22442/32-1. The tool has 3 selector settings which crimp from 0.150 to 0.195". The tool is approximately 9¼" x 2½" x 1¼" and weighs 15 oz.

The pneumatic power version of this tool is the WA27AD.

The assigned Turret Head is the SH556 which accepts cable diameters from 0.110" to 0.195". Positioner TP975 is also available to crimp Astrocom Electronics' Clamping Ring P/N 20822.



Other special indent tools are available, please consult DMC.

GMT Series Precision Crimp Tools

DMC provides custom and standard crimp tools manufactured to OEM connector supplier or user requirements. Often these tools are specified as comparable in function to the OEM connector supplier tool. Numerous applications such as open barrel (stamped and formed) contacts, insulated and non-insulated terminals, splices, end caps, coaxial connectors, and wire fittings of all types are covered by these tools. The rugged construction of this tool assures repeatability and long life cycle. You can rely on DMC experience for quality and cost effective performance.

GMT General Purpose Tools: Many standard OEM applications are covered by the GMT general purpose tool series. The jaws are fixed, and the locator (where used) is configured to hold the contacts precisely in the correct location for optimum crimping.



Pneumatic & Battery tools are available to cover the GMT tool series. See page 103 for part numbers.

GMT1090 (M22520/44-01) TOOL FOR M81824/12-XX COLD APPLIED SPLICES

The GMT1090 (M22520/44-01) Hand Crimp Tool crimps Tyco's Cold Applied Environmental Splices (M81824/12-xx) sizes 26-20, 20-16, 16-12 AWG. This precise tool has a locator which is configured to hold the splice in the correct location while either wire is being terminated. No heat, or heat gun, required. Pneumatic Equv **PMT1090**



GMT232 (M22520/37-01) TOOL FOR M81824/1-XX ENVIRONMENTAL SPLICES

The GMT232 (M22520/37-01) Hand Crimp Tool crimps low profile environmental splices (M81824/1-xx). The GMT232 is the most popular tool to cover the range of 12 (yellow), 16 (blue), and 20 (red) splices for low profile environmental splice applications. The GMT232 has a locator which is configured to hold the splice in the correct location while either wire is being terminated. This tool is comparable to the popular Tyco AD1377. Pneumatic Equv **PMT232**



GMT1005 TOOL FOR UNINSULATED TERMINALS

The GMT1005 Hand Crimp Tool terminates uninsulated terminals sizes 10 to 22 AWG. This tool is comparable to Tyco Electronics' 49935 hand tool. Pneumatic Equv **PMT1005**



| GMT TOOL SERIES PART NUMBERS | | | | |
|------------------------------|------------------|------------------------------|--------------------|---|
| HAND TOOL P/N | BATTERY TOOL P/N | REMOTE HEAD BATTERY TOOL P/N | PNEUMATIC TOOL P/N | APPLICATION / DESCRIPTION |
| GMT201 | GMTEB201 | GMTE201-R | PMT201 | Molex .093" Dia Standard Pin & Socket Terminals, Clapscon Series |
| GMT202 | GMTEB202 | GMTE202-R | PMT202 | Molex .062" Dia Standard Pin & Socket Terminals, KK, Flat Blade, Pitch Crimp |
| GMT203 | GMTEB203 | GMTE203-R | PMT203 | Molex .156" KK Trifurcon Series |
| GMT204 | GMTEB204 | GMTE204-R | PMT204 | Molex .093" Dia Clapscon Series |
| GMT206 | GMTEB206 | GMTE206-R | PMT206 | ITT Cannon Zif Connector, Series DL |
| GMT208 | GMTEB208 | GMTE208-R | PMT208 | Tyco Multimate Type III+ Series |
| GMT209 | GMTEB209 | GMTE209-R | PMT209 | Elco 60-8017-0313 |
| GMT211 | GMTEB211 | GMTE211-R | PMT211 | Tyco PCB Terminals and Disconnects, .058" Dia |
| GMT220 | GMTEB220 | GMTE220-R | PMT220 | Tyco Type XI Contacts |
| GMT221 | GMTEB221 | GMTE221-R | PMT221 | Rockwell Collins Thin-Line I & II |
| GMT225 | GMTEB225 | GMTE225-R | PMT225 | Tyco AMPMODU Series Type MOD IV Contacts |
| GMT226 | GMTEB226 | GMTE226-R | PMT226 | Tyco Amplimite Series, Size 20DF |
| GMT230 | GMTEB230 | GMTE230-R | PMT230 | Tyco AMPMODU Series Type IV, IV1/2 & V Contacts |
| GMT232 | GMTEB232 | GMTE232-R | PMT232 | M22520/37-01 tool for M81824/1-X Splices Tyco (Raychem) "Mini-Seal" Environmental Splices (26-20, 20-16, 16-12) |
| GMT241 | GMTEB241 | GMTE241-R | PMT241 | Tyco CPC Series, Size 20DF Contacts |
| GMT245 | GMTEB245 | GMTE245-R | PMT245 | Tyco Mate-N-Lok Series 60620-() and 60619-() |
| GMT247 | GMTEB247 | GMTE247-R | PMT247 | ITT Cannon D-Sub Economy Standard Size 20 |
| GMT248 | GMTEB248 | GMTE248-R | PMT248 | Comparable to Pyle-National TP-201389 (w/ Cutter) |
| GMT260 | GMTEB260 | GMTE260-R | PMT260 | ITT Cannon DL Series ZIF Contacts, CCT-DL-3 |
| GMT262 | GMTEB262 | GMTE262-R | PMT262 | Tyco Amp-TAB Series 66168, 66143, 66169, 66144 |
| GMT263 | GMTEB263 | GMTE263-R | PMT263 | Teradyne 600-0026-000 I/O Series Contacts |
| GMT277 | GMTEB277 | GMTE277-R | - - | M22520/38-01 for MS20659 Uninsulated Ring terminals size 22 through 10 and MS25486 external power plug socket contact size 12 (Superseeds M22520/24-01) |
| GMT286 | GMTEB286 | GMTE286-R | PMT286 | Tyco Contact 925576 |
| GMT295 | GMTEB295 | GMTE295-R | PMT295 | Tyco Locking Clip Contact 87165 |
| GMT302 | GMTEB302 | GMTE302-R | PMT302 | ITT Cannon CCT-UBC |
| GMT309 | GMTEB309 | GMTE309-R | PMT309 | Amp Tyco tool 144969-2 |
| GMT1005 | GMTEB1005 | GMTE1005-R | - - | Uninsulated Terminals (Tyco Tool 49935) |
| GMT1090 | GMTEB1090 | GMTE1090-R | - - | Tyco Cold Applied Environmental Splice (26-20, 20-16, 16-12) |

Battery Powered Hydraulic GMT Series Crimp Tools

DMC is pleased to present our GMT Series battery powered hydraulic tools to crimp open barrel (stamped and formed) contacts, insulated and non-insulated terminals, splices, and end caps, coaxial connectors, and wire fittings of all types are covered by these tools. Just like with the hand tools, locators are included for applications where they are needed to hold contacts in the correct location for optimum crimping.

GMTEBxxx

The **GMTEBxxx** Series Battery Powered Hydraulic Commercial Standard Crimp Tools are hand held, self-contained crimp tools. The crimp head, battery, and pump unit are contained in one ergonomic tool body and weigh about 4 pound each. They are comparable to DMC's GMT Series hand tools.

TOOL INCLUDES: Carrying Case, Two 18v Batteries (p/n HDE-LI-B), One Battery Charger (p/n HDE-LI-120C).



GMTEB232 FOR M81824/1-XX ENVIRONMENTAL SPLICES

GMTEB232 Tool is the battery powered version of our GMT232 (M22520/37-1) hand tool for low profile environmental splices (M81824/1-XX). The **GMTEB232** is the most popular GMT Series tool to cover the range of 12 (yellow), 16 (blue), and 20 (red) splices for low profile environmental splice applications. This precise tool has a locator which is configured to hold the splice in the correct location while either wire is being terminated.

FEATURES

- Ergonomic design allows one-handed operation
- Jaws remain closed under spring pressure (pinch sides to open/load)
- Head rotates 350 degrees
- Red LED to display the charge status of the battery

CRIMP CAPACITIES

- Max. Crimp Force: 4 Tons (35.6 kN)
- Avg. Crimp Time: 3 seconds
- Avg. Crimps per Charge: 100
- Avg. Charge time: 15 minutes

SPECIFICATIONS

- Length: 13" (330 mm)
- Width: 2.87" (72.9 mm)
- Depth: 4.5" (114.3 mm)
- Weight (with battery): 2.8 lb (1.3 kg)
- Hydraulic Oil: Shell Tellus® T-15 (or equivalent)



GMTExxx-R REMOTE HEAD BATTERY POWERED HYDRAULIC CRIMP TOOLS

The GMTExxx-R Remote Head Battery Powered Hydraulic Crimp Tools are hand held, self-contained crimp tools. The crimp head is separate from the battery and pump unit by a hydraulic umbilical cord.

These tools are equivalent to DMC's GMT Series hand tools.

The battery and pump unit can be worn by the operator on a tool belt, stored in a carrying case, or mounted to a bench top.

TOOL INCLUDES: Two Batteries (p/n HD-BATTERY-R), One Battery Charger (p/n HD-110CHARGER-R).

Tool Belt, AC Adapter, and Bench Mount sold separately.

FEATURES

- Ergonomic design allows one-handed operation
- Jaws remain closed under spring pressure
- Connection point for tool balancing systems

CRIMP CAPACITIES

- Max Crimp Force: 3500lb/15.6kN Max
- Oil Pressure: 4000psi/276 bar Max
- Crimp Time: Approx. 3.5 seconds
- Crimps per Charge: Approx. 250 (May vary with crimp force requirements & battery life.)



The battery and pump unit can be worn on a tool belt (p/n 2063863-1) ...

TOOL SPECIFICATIONS

CRIMP TOOL

- Length: 9.25"/235mm
- Width: 2.5"/63.5mm
- Depth: 2.5"/63.5mm
- Mass/Weight: 2.02lb/.916kg
- Sound Level: 72db
- Hose Length: 4.5ft

POWER UNIT (With Battery Installed)

- Length: 9.8"/248mm
- Width: 3.1"/80mm
- Depth: 5.6"/142mm
- Weight: 4.3 lb/2.0 kg
- Sound Level: 72 dBA
- Hydraulic Oil: 1.7 oz./ 48g Shell Tellus* T15
- Charging Voltage: 10.8 VDC Lithium Ion Battery
- Charging Time: 40 Minutes (Approximately)

GMTE232-R FOR M81824/1-XX ENVIRONMENTAL SPLICES

GMTE232-R Tool is the battery powered version of our GMT232 (M22520/37-1) hand tool for low profile environmental splices (M81824/1-XX). The GMTE232-R is the most popular GMT Series tool to cover the range of 12 (yellow), 16 (blue), and 20 (red) splices for low profile environmental splice applications (Tyco Mini-Seal). This precise tool has a locator which is configured to hold the splice in the correct location while either wire is being terminated.



used with an AC Adapter (p/n HD-110AC)...



or mounted to a bench top (p/n BM-7).

DCT Series Crimp Tools

DMC provides custom and standard crimp tools that are manufactured to connector OEM or user requirements. Often these tools are specified as comparable in function to the OEM connector supplier tool.

The DCT series of crimp tools and dies accommodate most (insulated and uninsulated terminals and splices conforming to AS7928 insulated and uninsulated as well as numerous proprietary configurations. Dies in various crimp patterns are also available for D-Subminiature, circular connectors, Red/Blue/Yellow "Heat-N-Seal" terminals, "MiniSeal" terminals, and low profile environmental splices (M81824/1-XX).

Dies are configured with single, double, triple and even quadruple crimp cavities.

Several models and types of tools comprise the DCT tool series. Some tools have removable (interchangeable) dies, and others have fixed cavities that are not removable.

If your application requirement is not already covered by one of our standard die sets, our engineering department will be pleased to discuss a design to suit your needs, consult DMC for details.



DCT4-XXX SERIES HAND CRIMP TOOLS

The sturdy construction of the DCT hand tools is superior to any tool made today. The handle will not flex or bend in any direction, therefore the maximum force and repeatability are achieved. The precision ratchet controls cycling of the tool and assures the same accurate crimp every time. The handle grips and the leverage system are designed for maximum ergonomic benefit.

The DCT tools are approximately 9¼" x 3⅞" x 1¼" and weigh 1.38 lbs.



DCTE4B-XXX SERIES BATTERY POWERED HYDRAULIC CRIMP TOOL

The DCTE4B Battery Powered Crimp Tools offer the portability of a hand tool with the stamina of a power tool! They are hand held, self-contained hydraulic crimp tools intended for use with DMC's "DCT4" Dies.

The DCTE4B battery tools are approximately 13.25" long, 2.87" wide, and 4.5" deep, weigh 2.8 lb with the battery installed.

TOOL INCLUDES: Carrying Case, Two 18v Batteries (p/n HDE-LI-B), One Battery Charger (p/n HDE-LI-120C).

FEATURES

- Ergonomic design allows one-handed operation
- Die automatically opens when crimp is complete
- Head rotates 350°
- Red LED to display the current status of the unit
- Accepts dies from other sources (consult DMC)
- Positive Cycle Control Pressure Sensing Design



| DCT4 TOOL SERIES DIES | |
|-----------------------|---|
| DIE P/N | DESCRIPTION |
| DCT4-101D | Insulated Spare Wire Caps Comparable to AMP 58573-1 |
| DCT4-102D | R/B/Y Insulated Terminals & Splices #22-18 AWG, 16-14 AWG, 12-10 AWG |
| DCT4-104D | R/B/Y ROSTRA HEAT-N-SEAL |
| DCT4-105D | Uninsulated Terminals |
| DCT4-106D | RF Connectors .178/ .128 hexes |
| DCT4-107D | RF Connectors .068/.178/.324 hexes |
| DCT4-108D | .068/.213/.255 hexes |
| DCT4-109D | .213/.128/.105 hexes |
| DCT4-110D | TROMPETER CD3-2 with .324/.255/.068/.042 hexes |
| DCT4-111D | COAXIAL AND FIRE BOTTLE CAP INDICATOR .128 hex |
| DCT4-117D | .255/.213/.178/.128 hexes |
| DCT4-118D | .213/.178 hexes |
| DCT4-119D | Insulated Terminals & Splices # 24-20 AWG, # 22-18 AWG, AND # 16-14 AWG w/ Locator |
| DCT4-120D | RG58/U, RG59/U, RG62/U .359/.255 hexes |
| DCT4-121D | .039 square/ .195 hexes |
| DCT4-122D | Insulated Terminals & Splices # 24-20 AWG, #22-18 AWG AND #16-14 AWG |
| DCT4-124D | .068 / .128 / .178 hexes Comparable to Amphenol CTL-9 |
| DCT4-128D | .211/.128/.105 hexes CANNON CCT-DM Comparable to DieY322 |
| DCT4-129D | Same configuration as M22520/37-1 for M81824/1-X Splices Tyco (Raychem) "Mini-Seal" Environmental Splices (26-20, 20-16, 16-12) |
| DCT4-130D | SUB-D CONTACTS 20-24/24-28 |
| DCT4-138D | Coaxial Crimp Tool .264/.161 hexes |
| DCT4-139D | .264/.220 hexes |
| DCT4-140D | .433/.402 hexes |
| DCT4-141D | B-CRIMP COND. & INS. 16-22 AWG, 14-16 AWG, 10-12 AWG |
| DCT4-142D | with .142/.112/.079 hexes |
| DCT4-144D | Coaxial Crimp Tool .359/.290 hexes |
| DCT4-145D | Coaxial Crimp Tool .454 hex |
| DCT4-147D | .429/.100/.068 hexes |
| DCT4-148D | .268/.178 hexes, .057 dia. |

| DCT4 TOOL SERIES DIES | |
|-----------------------|---|
| DIE P/N | DESCRIPTION |
| DCT4-149D | COAXIAL CABLE ST212, ST214, BT2002, BT3002 .268/.213/.178/.150 hexes |
| DCT4-151D | D-SUBMINIATURE 20-30 AWG |
| DCT4-154D | .028 / .047 SQ, .128 / .178 Hexes |
| DCT4-155D | .028 / .047 SQ, .15 / .268 Hexes |
| DCT4-157D | .211 / .252 / .068 hexes |
| DCT4-158D | .212 / .252 / .066 hexes |
| DCT4-160D | .041 gage for "B" crimp |
| DCT4-161D | .041 gage for "B" crimp |
| DCT4-162D | .042 gage for "B" crimp |
| DCT4-163D | .290 DIA cavity |
| DCT4-166D | .187 / .178 hexes, .042 SQ Comparable to Amphenol CTL-15 |
| DCT4-167D | .324 / .319 / .255 hexes, .042 SQ Comparable to Amphenol CTL-14 |
| DCT4-169D | .324 / .255 / .068 hexes, .052 SQ Comparable to Amphenol CTL-8 |
| DCT4-170D | .290 / .128 / .105 hexes |
| DCT4-173D | Rosenberger 88K20K-0S-3H3 |
| DCT4-175D | AMP Multimate III & VI |
| DCT4-176D | Comparable to DIE Y498 |
| DCT4-178D | "B" Crimp |
| DCT4-179D | "B" Crimp |
| DCT4-180D | Tyco AMPMODU Series Type IV, IV1/2 & V Contacts Comparable to AMP 90340 |
| DCT4-181D | Molex 734154550 (1 of 2) |
| DCT4-182D | Molex 734154550 (2 of 2) |
| DCT4-183D | .339 Hex |
| DCT4-185D | White and Yellow Terminals |
| DCT4-187D | .215 / .225 / .235 Hexes |
| DCT4-188D | .110 Hex |
| DCT4-189D | Comparable to MRP0478 |
| DCT4-191D | Comparable to BURNDY MR8-9Q |
| DCT4-192D | Comparable to AMP 68064 |

Hydrac™ Hydraulic 3.5 Ton Crimping Tool for Y-Dies

HD37 Hydraulic Crimpers are a combination of lightweight design and the precise application of 3.5 tons force to crimp power contacts too large for conventional hand tools. These tools are designed to accept the entire family of M22520/5-XX dies (Y-dies) for crimping terminals, lugs or any other special applications. (DMC "Y" series dies featured on pages 71 and 77.

If your application requirement is not already covered by one of our standard dies, our engineering department will be pleased to discuss a design to suit your needs, consult DMC for details.

WIRE RANGE: #26 to #2 AWG in many power applications, and .500 (12.7mm) in coaxial hexagonal crimping.

HDE37B BATTERY POWERED HYDRAULIC CRIMP TOOL

The HDE37B Battery Powered Crimp Tool offers the portability of a hand tool with the stamina of a power tool! It is a hand held, self-contained hydraulic crimp tool that is actuated with a single squeeze of the trigger.

The HDE37B offers a solution where the volume of work exceeds the physical limits of a worker with hand tools, and hoses and cables are unwelcome or unsafe for the environment where the work is being performed.

The HDE37B battery tool is approximately 13.25" long, 2.87" wide, and 4.5" deep, weighs 2.8 lb with the battery installed.

TOOL INCLUDES: Carrying Case, Two 18v Batteries (p/n HDE-LI-B), One Battery Charger (p/n HDE-LI-120C).



FEATURES

- Ergonomic design allows one-handed operation
- Interchangeable die sets.
- Die automatically opens when crimp is complete
- Die can be retracted in mid-cycle to adjust connector
- Head rotates 350 degrees
- Red LED to display the current status of the unit



HD37 MANUAL TOOL

For the hand tool, the 3.5 ton crimp force is achieved through multiple actuations of the tool handle. The automatic relief valve "clicks" audibly when the proper crimp force has been applied to prevent over-compression. The tool head also rotates to any position for easy accessibility in confined working areas. The hand tool is 8.5 inches long, weighs only 3.3 lbs, and is operated with one hand.



- 3.5 tons of die force.
- Interchangeable die sets.
- Automatic relief valve to prevent over-compression
- Release lever for relaxing crimp pressure and opening dies mid-cycle
- 180° rotating head for ease in confined work areas.
- Each tool supplied in a fitted carrying case

| LARGE GAGE INSULATED TERMINALS-MS25036 | | | | |
|--|------------------------|--------------|--------------|------|
| AWG SIZE | P/N | PART DIE P/N | CRIMP HEIGHT | GAGE |
| #8-RED | HD37 or HDE37B or EHCY | Y673H | 0.17" | G682 |
| #6-BLUE | HD37 or HDE37B or EHCY | Y674H | 0.202" | G683 |

| LARGE GAGE UNINSULATED TERMINALS-MS20659 | | | | | |
|--|------------------------|--------------|--------------|--------|------|
| AWG SIZE | P/N | PART DIE P/N | CRIMP HEIGHT | INDENT | GAGE |
| #8-RED | HD37 or HDE37B or EHCY | Y844HN | 0.135" | SGL | G744 |
| #8-RED | HD37 or HDE37B or EHCY | Y845HN | 0.135" | DBL | G744 |
| #6-BLUE | HD37 or HDE37B or EHCY | Y846HN | 0.176" | SGL | G745 |
| #6-BLUE | HD37 or HDE37B or EHCY | Y847HN | 0.176" | DBL | G745 |

| OTHER DIES | | | | |
|------------------|------------------------|----------|--------------|------|
| AWG SIZE | P/N | PART P/N | CRIMP HEIGHT | GAGE |
| 0.202" Hex Crimp | HD37 or HDE37B or EHCY | Y870H | 0.202" | G724 |



Hydrac™ Hydraulic 3.5 Ton Crimping Tool for HD36 Dies

HD36 MANUAL HYDRAULIC TOOL

HD36 Hydraulic Crimper is a combination of a lightweight design and the precise application of 3.5 tons force to crimp power contacts too large for conventional hand tools. This tool is designed to accept the entire family of D36 dies for crimping terminals, lugs or any other special applications.

The 3.5 ton crimp force is achieved through multiple actuations of the tool handle. The automatic relief valve “clicks” audibly when the proper crimp force has been applied to prevent over-compression. The tool head also rotates 360 degrees for easy accessibility in confined working areas. The hand tool is 8.5 inches long, weighs only 3.3 lbs, and is operated with one hand.

If your application requirement is not already covered by one of our standard dies, our engineering department will be pleased to discuss a design to suit your needs, consult DMC for details.

- 3.5 tons of die force.
- Interchangeable die sets.
- Automatic relief valve to prevent over-compression
- Release lever for relaxing crimp pressure and opening dies mid-cycle
- 180° rotating head for ease in confined work areas.
- Each tool supplied in a fitted carrying case



HD36 TOOL SERIES DIES

| DIE SET P/N | “A” CRIMP HEIGHT | “A” LENGTH | “B” CRIMP HEIGHT | “B” LENGTH | TYPE/APPLICATION |
|-------------|------------------|------------|------------------|------------|--|
| HD36-101 | .552-DIA. | 0.180 | | | Single Cavity Circular Corresponds To HUSKIE HD-58 |
| HD36-102 | .420-RAD. | 0.180 | | | Single Cavity Circular Corresponds To HUSKIE HD-34 |
| HD36-103 | 0.530 | 0.365 | | | Single Cavity Hex |
| HD36-104 | .750-GAGE | 0.225 | | | Single Cavity Hex, Corresponds To HOMAC 840 |
| HD36-105N | 0.198 | 0.185 | | | Single Cavity Hex |
| HD36-106N | 0.222 | 0.185 | | | Single Cavity Hex |
| HD36-107N | 0.280 | 0.155 | | | Single Cavity Hex |
| HD36-109 | .520-GAGE | 0.340 | | | Single Cavity Hex, Corresponds To HOMAC 5/8 |
| HD36-110N | 0.530 | 0.344 | | | Corresponds To T&B 683-53701-1 |
| HD36-111N | .135-GAGE | 0.312 | | | #8 Non-Insulated Single Indent |
| HD36-112N | .176-GAGE | 0.312 | | | #6 Non-Insulated Single Indent |
| HD36-113N | .206-GAGE | 0.344 | | | #4 Non-Insulated Single Indent |
| HD36-114N | .265-GAGE | 0.344 | | | #2 Non-Insulated Single Indent |
| HD36-115N | 0.226 | 0.110 | 0.169 | 0.110 | Double Cavity Hex Corresponds To PEN-011-2, & PEN-011-3 |
| HD36-116N | 0.284 | 0.110 | 0.114 | 0.110 | Double Cavity Hex Corresponds To PEN-011-1, & PEN-011-4 |
| HD36-124 | 0.390 | 0.344 | | | Single Cavity Hex |
| HD36-125 | 0.600 | 0.344 | | | Single Cavity Hex |
| HD36-126 | 0.217 | 0.344 | | | Single Cavity Hex |
| HD36-128 | 0.160 | 0.344 | | | Single Cavity Hex |
| HD36-130 | .130-GAGE | 0.344 | | | Single Indent for Flag Terminals |
| HD36-131 | 0.446 | 0.344 | | | 1/0 Non-Insulated Terminal Lug |
| HD36-132 | 0.487 | 0.344 | | | 2/0 Non-Insulated Terminal Lug |
| HD36-135 | 0.110 | 0.100 | | | HDE36 GAGING DIE |
| HD36-136 | .240 GAGE | 0.375 | | | #6 INSULATED (BLUE), Corresponds To AMP 1490598-1 |
| HD36-137 | .272 GAGE | 0.375 | | | #4 Insulated (YELLOW), Corresponds To AMP 1490599-1 |
| HD36-138 | .176 GAGE | 0.202 | 0.111 | 0.202 | Non-Insulated Single Indent |
| HD36-139 | .204 GAGE | 0.250 | | | #8 Insulated (RED), Corresponds To AMP 1490597-1 |
| HD36-142 | .184 DIA. | 0.344 | | | Single Cavity Circular |

Battery Powered Hydraulic 4 Ton Crimp Tool for HD36 Dies

HDE36B BATTERY POWERED HYDRAULIC CRIMP TOOL FOR HD36 DIES

The HDE36B Battery Powered Crimp Tool offers the portability of a hand tool with the stamina of a power tool! It is a hand held, self-contained, 4 ton hydraulic crimp tool that is actuated with a single squeeze of the trigger.

This tool is designed to accept the entire family of D36 dies for crimping terminals, lugs or any other special applications. WIRE RANGE: #8 to #0 AWG* in many power applications, and .750 (19.05mm) in coaxial hexagonal crimping.

The HDE36B offers a solution where the volume of work exceeds the physical limits of a worker with hand tools, and hoses and cables are unwelcome or unsafe for the environment where the work is being performed.

The HDE36B battery tool is approximately 13.25" long, 2.87" wide, and 4.5" deep, weighs 2.8 lb with the battery installed.

TOOL INCLUDES: Carrying Case, Two 18v Batteries (p/n HDE-LI-B), One Battery Charger (p/n HDE-LI-120C).

DIE SELECTION: The HD36 crimper will accommodate all crimp dies listed on page 109. Other applications may be covered by this tool. Consult DMC for details.

*Wire range will vary depending on wire and terminal/contact.



FEATURES

- Ergonomic design allows one-handed operation
- Die automatically opens when crimp is complete
- Die can be retracted in mid-cycle to adjust connector
- Head rotates 350 degrees
- Red LED to display the current status of the unit

CRIMP CAPACITIES

- Max. Crimp Force: 4 Tons (35.6 kN)
- Avg. Crimp Time: 3 seconds
- Avg. Crimps per Charge: 100

SPECIFICATIONS

- Length: 13.25" (356 mm)
- Width: 2.87" (72.9 mm)
- Depth: 4.5" (114.3 mm)
- Weight (with battery): 2.8 lb (1.3 kg)
- Sound Level: 75 db(A) at 1 meter
- Vibration: <8.2 ft/s² (2.5 m/s²)
- Hydraulic Oil: Shell Tellus® T-15

Electric Hydraulic 3.5 Ton Crimp Tool for HD36 Dies

A TOTALLY SELF-CONTAINED PORTABLE CRIMP SYSTEM FOR PRODUCTION

The EHCD36 is a fast cycling bench-top crimp tool designed to be lightweight and rugged. The versatile features of the EHCD36 make this a good choice where production and quality cannot be compromised.

This unit is small in overall size (10.0" H x 7.1" W x 19.1" L) and weighs approximately 27 pounds, but has ample die force power to do most jobs. The crimp cycle time is only two seconds.

Powered by 110VAC with standard power cord. Other power & cord setups available.

COMPATIBILITY WITH EXISTING CRIMP DIES

The EHCD36 is designed to accept the entire family of D36 dies for crimping terminals, lugs or any other special applications. WIRE RANGE: #8 to #0 AWG* in many power applications, and .750 (19.05mm) in coaxial hexagonal crimping. This affords total utilization of existing dies and total interchangeability with HD36 hand tool frame and HDE36B battery powered hydraulic crimp tool.

FULL CYCLE CONTROL

Full die closure is assured on every crimp. The internal cycle control network will not allow the tool to open until complete closure is attained. The cycle control can be overridden with the Emergency Stop button.

OPERATOR SAFETY FEATURES

An Emergency Stop button is located on top of the tool. Depressing this button releases the hydraulic pressure and allows the crimp dies to re-open.

A Foot Pedal is Available (P/N EHCFFP)

When the foot pedal is plugged to the unit, it disables the front panel actuator.

DIE SELECTION: The HD36 crimper will accommodate all crimp dies listed on page 109. Other applications may be covered by this tool. Consult DMC for details.

*Wire range will vary depending on wire and terminal/contact.



Hydrac™ Hydraulic 5.5 Ton Crimping Tool for HD51 Dies

HD51 Medium Duty Hydraulic Crimper is the most popular hand operated hydraulic crimper. The HD51 is still lightweight at 4.6 pounds, but the 5.5 tons of die force and the larger die configuration extends the range of crimping capabilities to 2/0 AWG* conductors in many applications. The HD51 Hydraulic Crimper utilizes rugged construction, lightweight materials, and comfortable handle grips for the best ergonomic advantage. The number of handle closures required to complete the crimp is reduced by the larger and more efficient hydraulic pump system. Other features are the following:

- Length: 14 inches (356 mm)
- Weight 4.6 pounds (2.08kg)
- Crimp force: 5.5 tons (48.93kN)
- Automatic relief valve to prevent over-compression
- Release lever for relaxing crimp pressure and opening dies
- 180° rotating head for ease in confined work areas.
- WIRE RANGE: (#12 to #2/0 AWG in many power applications, and .700 (17.78mm) in coaxial hexagonal crimping.

XHD51 Remote Hydraulic Crimp Head is a preferred solution for high yield applications on production lines and maintenance rework centers. A pumping system provides the hydraulic power to the remote crimping head, and the crimp head can be mounted in a stationary position, or used as a hand-held tool. The recommended hydraulic pump is the versatile HPU11M air powered pump that is featured on page 116 of this catalog. Other specifications that apply to the XHD51 are the following:

- Length: 7.1 inches (180.3mm)
- Weight 3.85 pounds (1.74kg)
- Crimp force: 5.5 tons (48.93kN)

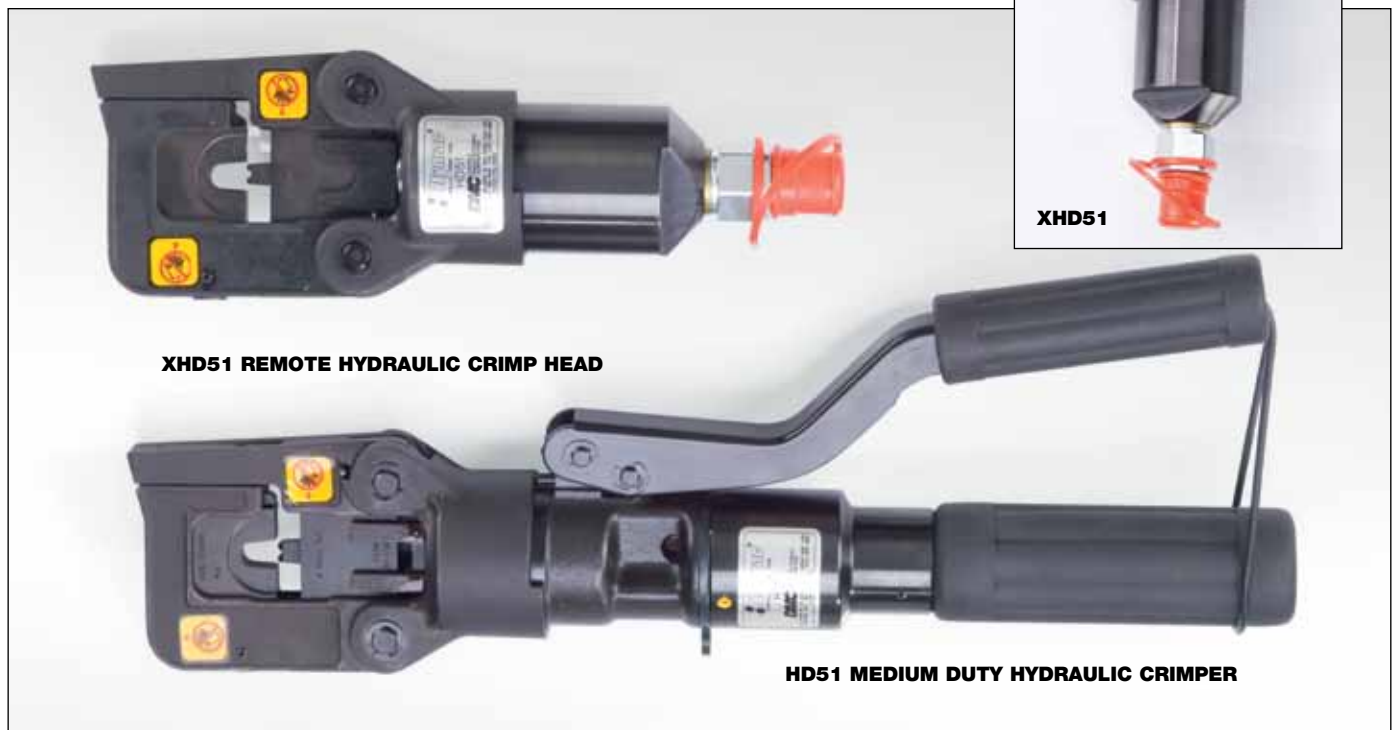
DMC1383 Tool Kit contains the HD51 hand tool and all the dies for crimping insulated and uninsulated terminals and splices size 8 through 2/0. This tool kit is contained in a metal case with foam inserts that have contoured tool cavities, laminated instruction sheets permanently attached on a ring binder, and contents charts identifying the location of each tool.

EHCD51 Contact DMC about Electric Hydraulic tooling for HD51 Dies.

WIRE RANGE: #12 to #2/0 AWG in many power applications, and .700 (17.78mm) in coaxial hexagonal crimping.

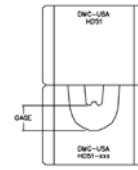
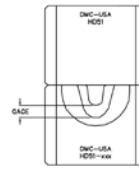
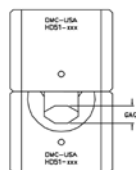
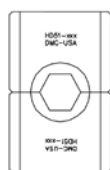


*Wire range will vary depending on wire and terminal/contact.



Hydrac™ HD51 Dies

| HD51 TOOL SERIES DIES | | | | | | | |
|-----------------------|-------------------|------------|------------|------------|---|------------------|------------------------|
| P/N | "A" CAVITY | "A" LENGTH | "B" CAVITY | "B" LENGTH | APPLICATION | INDENTS | GAGE |
| HD51-101 | .325 HEX | .125 | .216 HEX | .187 | .325 / .216 Hexes | | |
| HD51-105 | .170 GAGE | .250 | | | #8 Insulated Terminals | | G682 |
| HD51-106 | .202 GAGE | .312 | | | #6 Insulated Terminals | | G683 |
| HD51-107 | .254 GAGE | .375 | | | #4 Insulated Terminals | | G684 |
| HD51-110 | .530 HEX | .365 | | | .530 Hex | | |
| HD51-112 | .440 HEX | .358 | .538 HEX | .358 | .440 / .538 Hexes | | |
| HD51-113 | .312 GAGE | .470 | | | #2 Insulated Terminals | | G801 |
| HD51-114N | .135 GAGE | .312 | | | #8 Uninsulated Terminals | Single | G744 |
| HD51-115N | .176 GAGE | .312 | | | #6 Uninsulated Terminals | Single | G745 |
| HD51-116N | .206 GAGE | .312 | | | #4 Uninsulated Terminals | Single | G746 |
| HD51-117N | .265 GAGE | .312 | | | #2 Uninsulated Terminals | Single | G747 |
| HD51-118N | .135 GAGE | .312 | | | #8 Uninsulated Terminals | Double | G744 |
| HD51-119N | .176 GAGE | .312 | | | #6 Uninsulated Terminals | Double | G745 |
| HD51-120N | .206 GAGE | .312 | | | #4 Uninsulated Terminals | Double | G746 |
| HD51-121N | .265 GAGE | .312 | | | #2 Uninsulated Terminals | Double | G747 |
| HD51-122N | .275 GAGE | .470 | | | #1/0 Uninsulated Terminals | Single | G749 |
| HD51-123N | .275 GAGE | .470 | | | #1/0 Uninsulated Terminals | Double | G749 |
| HD51-124N | .370 GAGE | .470 | | | #2/0 Uninsulated Terminals | Double | G750 |
| HD51-125N | .370 GAGE | .470 | | | #2/0 Uninsulated Terminals | Single | G750 |
| HD51-127 | .445 HEX | .250 | .395 HEX | .200 | .445 / .395 Hexes | | |
| HD51-128 | .410 GAGE | .470 | | | #1/0 Insulated Terminals | | G854 |
| HD51-129 | .404 GAGE | .470 | | | #2/0 Insulated Terminals | | G855 |
| HD51-130-1 | R .100, H .300 | | | | #2 - #8 Uninsulated Needs HD51-131-2 or HD51-132-2 | Single (MALE) | |
| HD51-131-2 | R .275 | | R .145 | | #2 & #8 Uninsulated Needs HD51-130-1 | Single (FEMALE) | G744 G747 |
| HD51-132-2 | R .219 | | R .188 | | #4 & #6 Uninsulated Needs HD51-130-1 | Single (FEMALE) | G745 G746 |
| HD51-133-2 | .312 GAGE | | .170 GAGE | | #2 & #8 Insulated Needs HD51-113-1 for #2 & HD51-105-1 for #8 | (FEMALE) | G801 (#2) G682 (#8) |
| HD51-134-2 | .202 GAGE | | .254 GAGE | | #4 & #6 Insulated Needs HD51-106-1 for #6 & HD51-107-1 for #4 | (FEMALE) | G683 (#6) G684 (#4) |
| HD51-138 | .377 HEX | .435 | | | #2 Uninsulated .377 Hex MS90485-2 Equiv. | MS90485-2 Equiv. | |
| HD51-139 | .587 HEX | .400 | | | .587 Hex | | |
| HD51-140 | .956 HEX | | .500 HEX | | .956 & .500 HEX | | |
| HD51-144 | .140 HEX | .470 | | | .130 Hex | | |
| HD51-148 | .216 HEX | | | | .216 Hex | | |
| HD51-149 | .660 HEX | .400 | | | .660 Hex | | |
| HD51-150 | .352 HEX | .470 | | | AB Twinax Pin & Socket Contacts | | |
| HD51-152 | .304 GAGE | .470 | | | Packard Hughes .437 Ferrules | | |
| HD51-154 | .339 GAGE | .437 | | | MS25036 #1 MS23002-1 Equiv. | | G726 |
| HD51-157 | | | | | #10 Flag Terminal | | |
| HD51-159 | .312 GAGE | .470 | | | #2 AWG Insulated | Elongated Hex | |
| HD51-160 | .500 HEX | 1.300 | | | #2 Uninsulated For Aluminum Wire | | |
| HD51-162 | .218 | .470 | | | .218 HEX | | |



Hydrac™ Hydraulic 7 & 12 Ton Crimping Tools for HD002, HD485, and HD442 Dies (M5259)

HH80C Heavy Duty Hydraulic Crimper delivers the die force necessary to crimp large conductors, but still in a hand operated hydraulic crimper. The HH80C produces 7 tons with the two stage pump that minimizes the number of handle closures needed to complete the crimp. The utilization of the **HD002 (MS23002), HD485 (MS90485), and HD442 (MS25442) dies** extends the range of crimping capabilities to 2/0 AWG conductors in insulated military/aerospace applications and 4/0 AWG conductors in uninsulated military/aerospace applications. (Verification available upon request. Contact/terminal samples required.) **Boeing ST 2354 Series Dies are also available from DMC.** The HH80C Hydraulic Crimper is fitted with comfortable handle grips for the best ergonomic advantage.

Other features are the following:

- Crimp force: 7.0 tons (62.28kN)
- Length: 24 inches (610 mm)
- Weight 13.0 pounds (5.9kg)
- Automatic relief valve to prevent over-compression
- Release lever for relaxing crimp pressure and opening dies
- 360° rotating head for ease in confined work areas.
- Advance closing to crimp position is achieved by rotating the handle.



HH80C HEAVY DUTY HYDRAULIC CRIMPER

TBHD1M Remote Hydraulic Crimp Head (**MS25441-1**) exerts 12 tons of crimp force and extends the range of crimping capabilities to **4/0 AWG** conductors in military/aerospace applications, and 750 MCM applications on commercial systems. The **TBHD1M** accepts the **HD002 (MS23002), HD485 (MS90485), HD442 (MS25442)** and **Boeing ST 2354** Die combinations. In some cases the tool can be used as a hand-held crimper, but the tool weight (9.6 lbs) and force means mounting it in a stationary position with a bench mount (BM-2A) is the preferred mode of operation. The recommended hydraulic pump is the HPU11M air over hydraulic powered pump (see page 114) and consult DMC for other hydraulic pump options.

Other Specifications that apply to the TBHD1M are the following:

- Crimp force: 12.0 tons (107kN)
- Length: 10.0 inches (254 mm)
- Width: 6.0 inches (152.4 mm)
- Weight: 9.6 pounds (6.9 kg)



MS25441-1 QUALIFIED TO M5259/1 (SHOWN WITHOUT SAFETY CAGE)

HD002 DIES



HD485 DIES



MS23002* DIES & GAGES FOR MS25036 INSULATED TERMINALS

| MIL DIE P/N * | DMC P/N | COMMENTS | MIL GAGE P/N * | DMC GAGE P/N |
|---------------|----------|------------------------|----------------|--------------|
| MS23002-8 | HD002-8 | For Insulated Size 8 | MS23003-8 | G723 |
| MS23002-6 | HD002-6 | For Insulated Size 6 | MS23003-6 | G724 |
| MS23002-4 | HD002-4 | For Insulated Size 4 | MS23003-4 | G725 |
| MS23002-2 | HD002-2 | For Insulated Size 2 | MS23003-2 | G281 |
| MS23002-1 | HD002-1 | For Insulated Size 1 | MS23003-1 | G726 |
| MS23002-01 | HD002-01 | For Insulated Size 1/0 | MS23003-01 | G727 |
| MS23002-02 | HD002-02 | For Insulated Size 2/0 | MS23003-02 | G728 |
| MS23002-03 | HD002-03 | For Insulated Size 3/0 | MS23003-03 | G282 |
| MS23002-04 | HD002-04 | For Insulated Size 4/0 | MS23003-04 | G729 |

MS90485* DIES & GAGES FOR MS20659 UNINSULATED COPPER TERMINALS

| MIL DIE P/N* | DMC P/N | COMMENTS | MIL GAGE P/N * | DMC GAGE P/N |
|--------------|----------|--------------------------|----------------|--------------|
| MS90485-8 | HD485-8 | For Uninsulated Size 8 | MS90486-8 | G720 |
| MS90485-6 | HD485-6 | For Uninsulated Size 6 | MS90486-6 | G721 |
| MS90485-4 | HD485-4 | For Uninsulated Size 4 | MS90486-4 | G722 |
| MS90485-2 | HD485-2 | For Uninsulated Size 2 | MS90486-2 | G833 |
| MS90485-1 | HD485-1 | For Uninsulated Size 1 | MS90486-1 | G834 |
| MS90485-01 | HD485-01 | For Uninsulated Size 1/0 | MS90486-01 | G835 |
| MS90485-02 | HD485-02 | For Uninsulated Size 2/0 | MS90486-02 | G836 |
| MS90485-03 | HD485-03 | For Uninsulated Size 3/0 | MS90486-03 | G837 |
| MS90485-04 | HD485-04 | For Uninsulated Size 4/0 | MS90486-04 | G838 |

MS25442* DIES & GAGES FOR AS70991 UNINSULATED ALUMINUM TERMINALS

| MIL DIE P/N * | DMC P/N | COMMENTS | MIL GAGE P/N * | DMC GAGE P/N |
|---------------|-----------|--------------------------|----------------|--------------|
| MS25442-8A | HD442-8A | For Uninsulated Size 8 | MS25472-1 | G1129 |
| MS25442-6A | HD442-6A | For Uninsulated Size 6 | MS25472-2 | G1130 |
| MS25442-4A | HD442-4A | For Uninsulated Size 4 | MS25472-3 | G1131 |
| MS25442-2A | HD442-2A | For Uninsulated Size 2 | MS25472-4 | G1132 |
| MS25442-1A | HD442-1A | For Uninsulated Size 1 | MS25472-5 | G1133 |
| MS25442-01A | HD442-01A | For Uninsulated Size 1/0 | MS25472-6 | G1134 |
| MS25442-02A | HD442-02A | For Uninsulated Size 2/0 | MS25472-7 | G1135 |
| MS25442-03A | HD442-03A | For Uninsulated Size 3/0 | MS25472-8 | G1136 |
| MS25442-04A | HD442-04A | For Uninsulated Size 4/0 | MS25472-9 | G1137 |

| DESCRIPTION | PART NO. | MIL DIE P/N * |
|--|----------|---------------|
| Manual Hydraulic Tool (7 ton force) | HH80C | |
| Remote Crimp Head (12 ton force) (Requires Air to Hydraulic Pump) | TBHD1M * | MS25441-1 * |
| Air to Hydraulic Pump | HPU11M | |
| Hose Assembly (6 Ft. Length) | 12-4040 | MS25441-3* |
| In-Line Pressure Gauge | HPU11-PG | |

***Qualified to M5259/1 Large Gage Crimp Tool Specification**

DMC1948 Tool Kit contains the TBHD1M Crimp Tool, HPU11M Pump, Hose Assembly, and all the HD002 (MS23002) and HD485 (MS90485) dies for crimping insulated and uninsulated terminals and splices size 8 through 4/0. This tool kit is contained in a molded, high-density plastic case with foam inserts that have contoured tool cavities, laminated instruction sheets permanently attached on a ring binder, and contents charts identifying the location of each tool.

DMC1966 Tool Kit contains the TBHD1M Crimp Tool, HPU11M Pump, Hose Assembly, and all the HD442 (MS25442) dies for crimping uninsulated aluminum terminals and splices size 8 through 4/0. This tool kit is contained in a molded, high-density plastic case with foam inserts that have contoured tool cavities, laminated instruction sheets permanently attached on a ring binder, and contents charts identifying the location of each tool.

HPU11-PG In-Line Hydraulic Pressure Gauge is recommended for cycle control monitoring, when using Remote Crimp Heads. It installs into either end of the hydraulic line to monitor the hydraulic pressure. The gauge will indicate to the operator when the required hydraulic pressure is achieved.

HC134 Dieless Four Indent Crimper

HPU11M AIR POWERED HYDRAULIC PUMP

HPU11M (MS25441-5) Air Powered Hydraulic Pump is the most economical and efficient way to provide controlled hydraulic pressure for XHD51 and TBHD1M remote crimp heads and similar applications. The use of light-weight materials and the latest air-over-hydraulic technology makes the **HPU11M** the best choice.

The **HPU11M** has heavy duty couplings and is intended to be used with the **12-4040** hydraulic hose assembly.



The specifications are the following:

- Maximum output pressure 10,000 PSI (Can be reduced by reducing input air pressure.)
- Depth: 11.5 inches
- Width: 13.75 inches
- Height: 6.25 Inches
- Weight: 19.4 pounds (with hose and hydraulic fluid)
- Hydraulic/air ratio is 100:1, input air pressure: 30–125 psi (2.1–8.6 bar)

HPU Series Pumps

We offer two portable manual pumps: a hand pump (p/n **HPU12M**) and a foot pump (p/n **HPU15M**). The other powered options are: an AC electric pump (p/n **HPU14M** & **HPU14M-230**) and a DC battery powered pump (p/n **HPU13M**). A heavy duty hose and couplings complete the connection between pump and crimper (p/n **12-4040**).

HPU11-PG In-Line Hydraulic Pressure Gauge is recommended for cycle control monitoring, when using Remote Crimp Heads.



HC134 DIELESS FOUR INDENT CRIMPER

HC134 Dieless Four-Indent Hydraulic Crimper is a four-indent crimper that can self adjust to the application. The tool provides a symmetrical four-sided crimp (at 90° intervals), and the crimp pressure against the resistance of the metal conductor assembly will cause the tool to crimp to a depth where there is metal to metal bottoming (gas tight crimp joint on aluminum and soft copper). Dies of a particular configuration are not needed.

The **HC134** produces 7 tons. The range of crimping capabilities starts with small conductors (around ¼ inch in diameter) to 4/0 AWG conductors on copper, and 750 MCM applications on aluminum.

Triangle indenter shape is standard. Optional indent designs are available. Consult DMC.

FEATURES

- Length: 24 inches (610 mm)
- Weight 13.0 pounds (5.9kg)
- Crimp force: 7.0 tons (62.28kN)
- Automatic relief valve to prevent over-compression
- Release lever for opening dies
- 360° rotating head for ease in confined work areas.
- Advance close by rotating handle.

DMC59 Utility Conductor Repair Kit (NSN 5180-01-220-1807)

A complete repair and service kit for aluminum and soft copper conductor maintenance. This tool kit contains the HC134 Crimper and a range of splices and high performance terminals (all two bolt type for high vibration), in a rugged metal box.



Wire Harness Tools

WIRE HARNESS SPOON

DMC's Wire Harness Spoon is used to assist in inserting new wires into existing wire harnesses. It helps thread new or repaired wires under tight cable ties, zip ties, string ties and cushion clamps.

The plastic construction of the wire harness spoon reduces damage when inserting wires because it will not damage ties or adjacent wires. There is less chance of nicks or cuts than with a metallic wire harness spoon. It can also be used to isolate cable ties for safe cutting to prevent damage to wire insulation.

The WHS-1 is Orange in color and .875" wide by 6" long.



CABLE TIE REMOVAL TOOLS

Now you can quickly remove cable ties without damaging the wire harness. The safety guards on the tip of the MG cable tie removal tools slide behind the cable tie strap to prevent the sharp blades from contacting and damaging the bundled items. The ergonomic, cushion grip handles and scissor action produce a clean cut.

Also use the MG series cable tie removal tools when repairing and retrofitting wire harnesses & hose assemblies, removing packaged items, prototyping & testing products, and many other factory and field uses.

These cable tie removal tools provide a long life when cutting plastic, thin copper wire, and aluminum wire AWG 10 & smaller. Each tool is made of heat treated alloy steel with a Rockwell hardness range of 53-58Rc.

| PART NUMBER | CUTS CABLE TIE SIZES | TOOL LENGTH | TOOL WIDTH | DESCRIPTION |
|-------------|----------------------|-------------|------------|--|
| MG-1000 | 18 lb. to 250 lb. | 5.80" | 1.67" | Short Handle Length with Pointed Nose for Small Hands and Tight Spaces |
| MG-1100 | 18 lb. to 250 lb. | 6.49" | 2.35" | Standard Handle Length with Pointed Nose for Tight Spaces |
| MG-1200 | 18 lb. to 250 lb. | 6.22" | 2.63" | Standard Handle Length with Rounded Nose for Standard Use |



Terminal and Splice Crimp Die Tooling Options 26 to 10 AWG

TOOLS AND DIES FOR CRIMPING TERMINALS AND SPLICES

DMC has several die configurations for crimping terminals and splices. AWG size is one determining factor, but each die configuration has a designated tool series. The hand tool is the basis of each tool series and suitable for the low volume of prototype or repair work. For higher volume production and

intermediate/depot maintenance, a tool series might include pneumatic tools, hydraulic tools, battery hydraulic tools, or electric hydraulic tools.

NOTE: If MIL Approval is required, QPL status should be verified. Consult DMC for current status.

26 to 10 AWG Tooling Options*

HX4 TOOL SERIES OPTIONS FOR Y-DIES



HX23
Pneumatic Tool, p. 74



HX4 or UDT4
Hand Tools, p. 70 & 75



HXE4B
Battery Hydraulic Tool, p. 72



EHCY
Electric/Hydraulic Tool, p. 76



HXE4-R
Battery Hydraulic Tool, p. 73

HX3 TOOL SERIES OPTIONS FOR X-DIES



HX3 or UDT3
Hand Tools, p. 70 & 75



PHX3
Pneumatic Tool, p. 75

GMT TOOL SERIES OPTIONS



GMTxxx
Hand Tool, p. 102



GMTExxx-R
Battery Hydraulic Tool, p. 105



GMTEBxxx
Battery Hydraulic Tool, p. 104

DCT TOOL SERIES OPTIONS



DCT4
Hand Tool, p. 106



DCTE4B
Battery Hydraulic Tool, p. 106

* Pneumatic or Hydraulic tool options preferred for 10-12 AWG Range.

Terminal and Splice Crimp Tooling Options 8 to 4/0 AWG

TOOLS AND DIES FOR CRIMPING TERMINALS AND SPLICES (CONTINUED)

8 to 4/0 AWG Tooling Options*

HX4 TOOL SERIES OPTIONS FOR Y-DIES



HD36 TOOL SERIES OPTIONS



HD51 TOOL SERIES OPTIONS**



TOOL OPTIONS FOR HD002, HD485, & HD442 DIES **



** Hydraulic pump, hose, and other accessories are shown elsewhere in the catalog.

WIRE STRIPPING FOR TERMINALS AND SPLICES

Wire strip length and configuration is important to the success of a termination. Guidelines for particular components being terminated should be followed carefully. For additional information on stripping wire for terminals and splices, contact DMC.

STANDARDIZATION

DMC has maintained a leadership role in military and commercial standards committees such as SAE, WHMA, EIA, UL/NEMA, and DoD organizations. The following tool selection charts represent the current leading standard components and tools. If questions or conflicts arise in the use of these charts, please notify DMC (407-855-6161, DMC@DMCTools.com).



Similar Terminal Shown

M7928/1-1 to -10, Sizes 26 to 24

TYPE: Class 1 Insulated Terminals, Insulation Restricting

INSULATION: Nylon, UL 94V-2

TERMINAL BODY & SLEEVE: Copper, ASTM B-152

PLATING: Nickel, QQ-N-290, or Tin, ASTM B-545

MAX TEMP RATING: 105° C

Tool Selection Guide*

| TERMINAL SPECS | | | | | DMC TOOL/DIE OPTIONS | | | | | |
|----------------|--------------|------------------------------|------------------------|-----------------------------|--------------------------|--------------------------|--------------------|--------------------------|-------------------------|-----------|
| AWG | WIRE SIZE MM | INSULATION DIAMETER IN. (MM) | SLEEVE COLOR | TERMINAL/SPLICE PART NUMBER | HX4 SERIES MIL APPROVED* | HX3 SERIES MIL APPROVED* | MIL APPROVED* TOOL | HX4 SERIES SINGLE CAVITY | HX4 SERIES MULTI CAVITY | |
| #26 | 0.15 | .026-.055 (0.66-1.40) | Yellow w/ Black Stripe | M7928/1- | 1 | Y501 Die | X511 Die | M22520/40-01 | Y672 Die | Y1060 Die |
| | | | | | 2 | Y501 Die | X511 Die | M22520/40-01 | Y672 Die | Y1060 Die |
| | | | | | 3 | Y501 Die | X511 Die | M22520/40-01 | Y672 Die | Y1060 Die |
| | | | | | 4 | Y501 Die | X511 Die | M22520/40-01 | Y672 Die | Y1060 Die |
| | | | | | 5 | Y501 Die | X511 Die | M22520/40-01 | Y672 Die | Y1060 Die |
| #24 | 0.24 | .031-.055 (0.79-1.40) | Yellow w/ Blue Stripe | M7928/1- | 6 | Y501 Die | X511 Die | M22520/40-01 | Y672 Die | Y1060 Die |
| | | | | | 7 | Y501 Die | X511 Die | M22520/40-01 | Y672 Die | Y1060 Die |
| | | | | | 8 | Y501 Die | X511 Die | M22520/40-01 | Y672 Die | Y1060 Die |
| | | | | | 9 | Y501 Die | X511 Die | M22520/40-01 | Y672 Die | Y1060 Die |
| | | | | | 10 | Y501 Die | X511 Die | M22520/40-01 | Y672 Die | Y1060 Die |

* If MIL Approval is required, QPL status should be verified. Consult DMC for current status.

Terminal Manufacturers' Part Numbers

| TERMINAL SPECS | | | TERMINAL MANUFACTURERS' TERMINAL # | | | | | | |
|----------------|------------------------|-----------------------------|------------------------------------|---------------|-------|---------|--------------|-----------|-------|
| AWG | SLEEVE COLOR | TERMINAL/SPLICE PART NUMBER | BURNDY | HOLLINGSWORTH | MOLEX | PANDUIT | THOMAS&BETTS | TYCO ELEC | |
| #26 | Yellow w/ Black Stripe | M7928/1- | 1 | -- | -- | -- | -- | -- | 53078 |
| | | | 2 | -- | -- | -- | -- | -- | 53049 |
| | | | 3 | -- | -- | -- | -- | -- | 53050 |
| | | | 4 | -- | -- | -- | -- | -- | 53051 |
| | | | 5 | -- | -- | -- | -- | -- | 53052 |
| #24 | Yellow w/ Blue Stripe | M7928/1- | 6 | -- | -- | -- | -- | -- | 53053 |
| | | | 7 | -- | -- | -- | -- | -- | 53054 |
| | | | 8 | -- | -- | -- | -- | -- | 53055 |
| | | | 9 | -- | -- | -- | -- | -- | 53056 |
| | | | 10 | -- | -- | -- | -- | -- | 53057 |

NOTE: Component manufactures' and OEM instructions shall take precedence over the information presented in these charts. Wire ranges are for reference only.

HX4 TOOL SERIES OPTIONS FOR Y-DIES

HX4 Hand Tools, p. 70 & 75
 HXE4B, HXE4-R Battery Tools, p. 72 & 73
 HX23 Pneumatic Tool, p. 74
 EHCY Electric Hydraulic Tool, p. 76

HX3 TOOL SERIES OPTIONS FOR X-DIES

HX3 Hand Tools, p. 70 & 75
 PHX3 Pneumatic Tool, p. 75



Similar Terminal Shown

M7928/1-11 to -19, Size 22

TYPE: Class 1 Insulated Terminals, Insulation Restricting
INSULATION: Nylon, UL 94V-2
TERMINAL BODY & SLEEVE: Copper, ASTM B-152
PLATING: Copper, ASTM B-152
MAX TEMP RATING: 105° C

Tool Selection Guide*

| TERMINAL SPECS | | | | | DMC TOOL/DIE OPTIONS | | | | | |
|----------------|--------------|------------------------------|---------------------|-----------------------------|--------------------------|--------------------------|--------------------|--------------------------|-------------------------|-----------|
| AWG | WIRE SIZE MM | INSULATION DIAMETER IN. (MM) | SLEEVE COLOR | TERMINAL/SPLICE PART NUMBER | HX4 SERIES MIL APPROVED* | HX3 SERIES MIL APPROVED* | MIL APPROVED* TOOL | HX4 SERIES SINGLE CAVITY | HX4 SERIES MULTI CAVITY | |
| #22 | 0.38 | .038-.110 (0.97-2.79) | Red w/ Green Stripe | M7928/1- | 11 | Y501 Die | X511 Die | M22520/40-01 | Y672 Die | Y1060 Die |
| | | | | | 12 | Y501 Die | X511 Die | M22520/40-01 | Y672 Die | Y1060 Die |
| | | | | | 13 | Y501 Die | X511 Die | M22520/40-01 | Y672 Die | Y1060 Die |
| | | | | | 14 | Y501 Die | X511 Die | M22520/40-01 | Y672 Die | Y1060 Die |
| | | | | | 15 | Y501 Die | X511 Die | M22520/40-01 | Y672 Die | Y1060 Die |
| | | | | | 16 | Y501 Die | X511 Die | M22520/40-01 | Y672 Die | Y1060 Die |
| | | | | | 17 | Y501 Die | X511 Die | M22520/40-01 | Y672 Die | Y1060 Die |
| | | | | | 18 | Y501 Die | X511 Die | M22520/40-01 | Y672 Die | Y1060 Die |
| | | | | | 19 | Y501 Die | X511 Die | M22520/40-01 | Y672 Die | Y1060 Die |

* If MIL Approval is required, QPL status should be verified. Consult DMC for current status.

Terminal Manufacturers' Part Numbers

| TERMINAL SPECS | | | TERMINAL MANUFACTURERS' TERMINAL # | | | | | | |
|----------------|---------------------|-----------------------------|------------------------------------|---------------|-------|---------|--------------|-----------|------------|
| AWG | SLEEVE COLOR | TERMINAL/SPLICE PART NUMBER | BURNDY | HOLLINGSWORTH | MOLEX | PANDUIT | THOMAS&BETTS | TYCO ELEC | |
| #22 | Red w/ Green Stripe | M7928/1- | 11 | -- | -- | -- | -- | -- | 52273 |
| | | | 12 | -- | -- | -- | -- | -- | 2-36149-3 |
| | | | 13 | -- | -- | -- | -- | -- | 51863-2 |
| | | | 14 | -- | -- | -- | -- | -- | 1-320551-2 |
| | | | 15 | -- | -- | -- | -- | -- | 2-36153-3 |
| | | | 16 | -- | -- | -- | -- | -- | 2-320571-3 |
| | | | 17 | -- | -- | -- | -- | -- | 2-320572-2 |
| | | | 18 | -- | -- | -- | -- | -- | 2-320573-1 |
| | | | 19 | -- | -- | -- | -- | -- | 2-328975-1 |

NOTE: Component manufactures' and OEM instructions shall take precedence over the information presented in these charts. Wire ranges are for reference only.

HX4 TOOL SERIES OPTIONS FOR Y-DIES

HX4 Hand Tools, p. 70 & 75
 HXE4B, HXE4-R Battery Tools, p. 72 & 73
 HX23 Pneumatic Tool, p. 74
 EHCY Electric Hydraulic Tool, p. 76

HX3 TOOL SERIES OPTIONS FOR X-DIES

HX3 Hand Tools, p. 70 & 75
 PHX3 Pneumatic Tool, p. 75



Similar Terminal Shown

M7928/1-20 to -28, Size 20

TYPE: Class 1 Insulated Terminals, Insulation Restricting
INSULATION: Nylon, UL 94V-2
TERMINAL BODY & SLEEVE: Copper, ASTM B-152
PLATING: Nickel, QQ-N-290, or Tin, ASTM B-545
MAX TEMP RATING: 105° C

Tool Selection Guide*

| TERMINAL SPECS | | | | | DMC TOOL/DIE OPTIONS | | | | | |
|----------------|--------------|------------------------------|-------------------|-----------------------------|--------------------------|--------------------------|--------------------|--------------------------|-------------------------|-----------|
| AWG | WIRE SIZE MM | INSULATION DIAMETER IN. (MM) | SLEEVE COLOR | TERMINAL/SPLICE PART NUMBER | HX4 SERIES MIL APPROVED* | HX3 SERIES MIL APPROVED* | MIL APPROVED* TOOL | HX4 SERIES SINGLE CAVITY | HX4 SERIES MULTI CAVITY | |
| #20 | 0.60 | .046-.110 (1.17-2.79) | Red w/ Red Stripe | M7928/1- | 20 | Y501 Die | X511 Die | M22520/40-01 | Y672 Die | Y1060 Die |
| | | | | | 21 | Y501 Die | X511 Die | M22520/40-01 | Y672 Die | Y1060 Die |
| | | | | | 22 | Y501 Die | X511 Die | M22520/40-01 | Y672 Die | Y1060 Die |
| | | | | | 23 | Y501 Die | X511 Die | M22520/40-01 | Y672 Die | Y1060 Die |
| | | | | | 24 | Y501 Die | X511 Die | M22520/40-01 | Y672 Die | Y1060 Die |
| | | | | | 25 | Y501 Die | X511 Die | M22520/40-01 | Y672 Die | Y1060 Die |
| | | | | | 26 | Y501 Die | X511 Die | M22520/40-01 | Y672 Die | Y1060 Die |
| | | | | | 27 | Y501 Die | X511 Die | M22520/40-01 | Y672 Die | Y1060 Die |
| 28 | Y501 Die | X511 Die | M22520/40-01 | Y672 Die | Y1060 Die | | | | | |

* If MIL Approval is required, QPL status should be verified. Consult DMC for current status.

Terminal Manufacturers' Part Numbers

| TERMINAL SPECS | | | TERMINAL MANUFACTURERS' TERMINAL # | | | | | | |
|----------------|-------------------|-----------------------------|------------------------------------|---------------|-------|---------|--------------|-----------|------------|
| AWG | SLEEVE COLOR | TERMINAL/SPLICE PART NUMBER | BURNDY | HOLLINGSWORTH | MOLEX | PANDUIT | THOMAS&BETTS | TYCO ELEC | |
| #20 | Red w/ Red Stripe | M7928/1- | 20 | -- | -- | -- | -- | -- | 52273-1 |
| | | | 21 | -- | -- | -- | -- | -- | 2-36149-4 |
| | | | 22 | -- | -- | -- | -- | -- | 51863-3 |
| | | | 23 | -- | -- | -- | -- | -- | 1-320551-3 |
| | | | 24 | -- | -- | -- | -- | -- | 2-36153-4 |
| | | | 25 | -- | -- | -- | -- | -- | 2-320571-4 |
| | | | 26 | -- | -- | -- | -- | -- | 2-320572-3 |
| | | | 27 | -- | -- | -- | -- | -- | 2-320573-2 |
| 28 | -- | -- | -- | -- | -- | -- | 2-328975-2 | | |

NOTE: Component manufactures' and OEM instructions shall take precedence over the information presented in these charts. Wire ranges are for reference only.

HX4 TOOL SERIES OPTIONS FOR Y-DIES

HX4 Hand Tools, p. 70 & 75
 HXE4B, HXE4-R Battery Tools, p. 72 & 73
 HX23 Pneumatic Tool, p. 74
 EHCY Electric Hydraulic Tool, p. 76

HX3 TOOL SERIES OPTIONS FOR X-DIES

HX3 Hand Tools, p. 70 & 75
 PHX3 Pneumatic Tool, p. 75



Similar Terminal Shown

M7928/1-29 to -37, Size 18

TYPE: Class 1 Insulated Terminals, Insulation Restricting
INSULATION: Nylon, UL 94V-2
TERMINAL BODY & SLEEVE: Copper, ASTM B-152
PLATING: Nickel, QQ-N-290, or Tin, ASTM B-545
MAX TEMP RATING: 105° C

Tool Selection Guide*

| TERMINAL SPECS | | | | | DMC TOOL/DIE OPTIONS | | | | | |
|----------------|--------------|------------------------------|---------------------|-----------------------------|--------------------------|--------------------------|--------------------|--------------------------|-------------------------|-----------|
| AWG | WIRE SIZE MM | INSULATION DIAMETER IN. (MM) | SLEEVE COLOR | TERMINAL/SPLICE PART NUMBER | HX4 SERIES MIL APPROVED* | HX3 SERIES MIL APPROVED* | MIL APPROVED* TOOL | HX4 SERIES SINGLE CAVITY | HX4 SERIES MULTI CAVITY | |
| #18 | 0.96 | .056-.110 (1.42-2.79) | Red w/ White Stripe | M7928/1- | 29 | Y501 Die | X511 Die | M22520/40-01 | Y672 Die | Y1060 Die |
| | | | | | 30 | Y501 Die | X511 Die | M22520/40-01 | Y672 Die | Y1060 Die |
| | | | | | 31 | Y501 Die | X511 Die | M22520/40-01 | Y672 Die | Y1060 Die |
| | | | | | 32 | Y501 Die | X511 Die | M22520/40-01 | Y672 Die | Y1060 Die |
| | | | | | 33 | Y501 Die | X511 Die | M22520/40-01 | Y672 Die | Y1060 Die |
| | | | | | 34 | Y501 Die | X511 Die | M22520/40-01 | Y672 Die | Y1060 Die |
| | | | | | 35 | Y501 Die | X511 Die | M22520/40-01 | Y672 Die | Y1060 Die |
| | | | | | 36 | Y501 Die | X511 Die | M22520/40-01 | Y672 Die | Y1060 Die |
| | | | | | 37 | Y501 Die | X511 Die | M22520/40-01 | Y672 Die | Y1060 Die |

* If MIL Approval is required, QPL status should be verified. Consult DMC for current status.

Terminal Manufacturers' Part Numbers

| TERMINAL SPECS | | | | TERMINAL MANUFACTURERS' TERMINAL # | | | | | |
|----------------|---------------------|-----------------------------|----|------------------------------------|---------------|-------|---------|--------------|------------|
| AWG | SLEEVE COLOR | TERMINAL/SPLICE PART NUMBER | | BURNDY | HOLLINGSWORTH | MOLEX | PANDUIT | THOMAS&BETTS | TYCO ELEC |
| #18 | Red w/ White Stripe | M7928/1- | 29 | -- | -- | -- | -- | -- | 52273-2 |
| | | | 30 | -- | -- | -- | -- | -- | 2-36149-5 |
| | | | 31 | -- | -- | -- | -- | -- | 51863-4 |
| | | | 32 | -- | -- | -- | -- | -- | 1-320551-4 |
| | | | 33 | -- | -- | -- | -- | -- | 2-36153-5 |
| | | | 34 | -- | -- | -- | -- | -- | 2-320571-5 |
| | | | 35 | -- | -- | -- | -- | -- | 2-320572-4 |
| | | | 36 | -- | -- | -- | -- | -- | 2-320573-3 |
| | | | 37 | -- | -- | -- | -- | -- | 2-328975-3 |

NOTE: Component manufactures' and OEM instructions shall take precedence over the information presented in these charts. Wire ranges are for reference only.

HX4 TOOL SERIES OPTIONS FOR Y-DIES

HX4 Hand Tools, p. 70 & 75
 HXE4B, HXE4-R Battery Tools, p. 72 & 73
 HX23 Pneumatic Tool, p. 74
 EHCY Electric Hydraulic Tool, p. 76

HX3 TOOL SERIES OPTIONS FOR X-DIES

HX3 Hand Tools, p. 70 & 75
 PHX3 Pneumatic Tool, p. 75



Similar Terminal Shown

M7928/1-38 to -46, Size 16

TYPE: Class 1 Insulated Terminals, Insulation Restricting
INSULATION: Nylon, UL 94V-2
TERMINAL BODY & SLEEVE: Copper, ASTM B-152
PLATING: Nickel, QQ-N-290, or Tin, ASTM B-545
MAX TEMP RATING: 105° C

Tool Selection Guide*

| TERMINAL SPECS | | | | | DMC TOOL/DIE OPTIONS | | | | | |
|----------------|--------------|------------------------------|---------------------|-----------------------------|--------------------------|--------------------------|--------------------|--------------------------|-------------------------|-----------|
| AWG | WIRE SIZE MM | INSULATION DIAMETER IN. (MM) | SLEEVE COLOR | TERMINAL/SPLICE PART NUMBER | HX4 SERIES MIL APPROVED* | HX3 SERIES MIL APPROVED* | MIL APPROVED* TOOL | HX4 SERIES SINGLE CAVITY | HX4 SERIES MULTI CAVITY | |
| #16 | 1.42 | .063-.130 (1.60-3.30) | Blue w/ Blue Stripe | M7928/1- | 38 | Y501 Die | X511 Die | M22520/40-01 | Y671 Die | Y1060 Die |
| | | | | | 39 | Y501 Die | X511 Die | M22520/40-01 | Y671 Die | Y1060 Die |
| | | | | | 40 | Y501 Die | X511 Die | M22520/40-01 | Y671 Die | Y1060 Die |
| | | | | | 41 | Y501 Die | X511 Die | M22520/40-01 | Y671 Die | Y1060 Die |
| | | | | | 42 | Y501 Die | X511 Die | M22520/40-01 | Y671 Die | Y1060 Die |
| | | | | | 43 | Y501 Die | X511 Die | M22520/40-01 | Y671 Die | Y1060 Die |
| | | | | | 44 | Y501 Die | X511 Die | M22520/40-01 | Y671 Die | Y1060 Die |
| | | | | | 45 | Y501 Die | X511 Die | M22520/40-01 | Y671 Die | Y1060 Die |
| | | | | | 46 | Y501 Die | X511 Die | M22520/40-01 | Y671 Die | Y1060 Die |

* If MIL Approval is required, QPL status should be verified. Consult DMC for current status.

Terminal Manufacturers' Part Numbers

| TERMINAL SPECS | | | TERMINAL MANUFACTURERS' TERMINAL # | | | | | | |
|----------------|---------------------|-----------------------------|------------------------------------|---------------|-------|---------|--------------|-----------|------------|
| AWG | SLEEVE COLOR | TERMINAL/SPLICE PART NUMBER | BURNDY | HOLLINGSWORTH | MOLEX | PANDUIT | THOMAS&BETTS | TYCO ELEC | |
| #16 | Blue w/ Blue Stripe | M7928/1- | 38 | -- | -- | -- | -- | -- | 52274 |
| | | | 39 | -- | -- | -- | -- | -- | 2-320561-3 |
| | | | 40 | -- | -- | -- | -- | -- | 51864-6 |
| | | | 41 | -- | -- | -- | -- | -- | 1-51864-0 |
| | | | 42 | -- | -- | -- | -- | -- | 51864-7 |
| | | | 43 | -- | -- | -- | -- | -- | 2-320563-3 |
| | | | 44 | -- | -- | -- | -- | -- | 2-320575-2 |
| | | | 45 | -- | -- | -- | -- | -- | 2-320564-1 |
| | | | 46 | -- | -- | -- | -- | -- | 2-328976-1 |

NOTE: Component manufactures' and OEM instructions shall take precedence over the information presented in these charts. Wire ranges are for reference only.

HX4 TOOL SERIES OPTIONS FOR Y-DIES

HX4 Hand Tools, p. 70 & 75
 HXE4B, HXE4-R Battery Tools, p. 72 & 73
 HX23 Pneumatic Tool, p. 74
 EHCY Electric Hydraulic Tool, p. 76

HX3 TOOL SERIES OPTIONS FOR X-DIES

HX3 Hand Tools, p. 70 & 75
 PHX3 Pneumatic Tool, p. 75



Similar Terminal Shown

M7928/1-47 to -55, Size 14

TYPE: Class 1 Insulated Terminals, Insulation Restricting
INSULATION: Nylon, UL 94V-2
TERMINAL BODY & SLEEVE: Copper, ASTM B-152
PLATING: Nickel, QQ-N-290, or Tin, ASTM B-545
MAX TEMP RATING: 105° C

Tool Selection Guide*

| TERMINAL SPECS | | | | | DMC TOOL/DIE OPTIONS | | | | | |
|----------------|--------------|------------------------------|----------------------|-----------------------------|--------------------------|--------------------------|--------------------|--------------------------|-------------------------|-----------|
| AWG | WIRE SIZE MM | INSULATION DIAMETER IN. (MM) | SLEEVE COLOR | TERMINAL/SPLICE PART NUMBER | HX4 SERIES MIL APPROVED* | HX3 SERIES MIL APPROVED* | MIL APPROVED* TOOL | HX4 SERIES SINGLE CAVITY | HX4 SERIES MULTI CAVITY | |
| #14 | 2.15 | .078-.130 (1.98-3.30) | Blue w/ Green Stripe | M7928/1- | 47 | Y501 Die | X511 Die | M22520/40-01 | Y671 Die | Y1060 Die |
| | | | | | 48 | Y501 Die | X511 Die | M22520/40-01 | Y671 Die | Y1060 Die |
| | | | | | 49 | Y501 Die | X511 Die | M22520/40-01 | Y671 Die | Y1060 Die |
| | | | | | 50 | Y501 Die | X511 Die | M22520/40-01 | Y671 Die | Y1060 Die |
| | | | | | 51 | Y501 Die | X511 Die | M22520/40-01 | Y671 Die | Y1060 Die |
| | | | | | 52 | Y501 Die | X511 Die | M22520/40-01 | Y671 Die | Y1060 Die |
| | | | | | 53 | Y501 Die | X511 Die | M22520/40-01 | Y671 Die | Y1060 Die |
| | | | | | 54 | Y501 Die | X511 Die | M22520/40-01 | Y671 Die | Y1060 Die |
| | | | | | 55 | Y501 Die | X511 Die | M22520/40-01 | Y671 Die | Y1060 Die |

* If MIL Approval is required, QPL status should be verified. Consult DMC for current status.

Terminal Manufacturers' Part Numbers

| TERMINAL SPECS | | | TERMINAL MANUFACTURERS' TERMINAL # | | | | | | |
|----------------|----------------------|-----------------------------|------------------------------------|---------------|-------|---------|--------------|-----------|------------|
| AWG | SLEEVE COLOR | TERMINAL/SPLICE PART NUMBER | BURNDY | HOLLINGSWORTH | MOLEX | PANDUIT | THOMAS&BETTS | TYCO ELEC | |
| #14 | Blue w/ Green Stripe | M7928/1- | 47 | -- | -- | -- | -- | -- | 52274-1 |
| | | | 48 | -- | -- | -- | -- | -- | 2-320561-4 |
| | | | 49 | -- | -- | -- | -- | -- | 51864-8 |
| | | | 50 | -- | -- | -- | -- | -- | 1-51864-1 |
| | | | 51 | -- | -- | -- | -- | -- | 51864-9 |
| | | | 52 | -- | -- | -- | -- | -- | 2-320563-4 |
| | | | 53 | -- | -- | -- | -- | -- | 2-320575-3 |
| | | | 54 | -- | -- | -- | -- | -- | 2-320564-2 |
| | | | 55 | -- | -- | -- | -- | -- | 2-328976-2 |

NOTE: Component manufactures' and OEM instructions shall take precedence over the information presented in these charts. Wire ranges are for reference only.

HX4 TOOL SERIES OPTIONS FOR Y-DIES

HX4 Hand Tools, p. 70 & 75
 HXE4B, HXE4-R Battery Tools, p. 72 & 73
 HX23 Pneumatic Tool, p. 74
 EHCY Electric Hydraulic Tool, p. 76

HX3 TOOL SERIES OPTIONS FOR X-DIES

HX3 Hand Tools, p. 70 & 75
 PHX3 Pneumatic Tool, p. 75



Similar Terminal Shown

M7928/1-56 to -62, Size 12

TYPE: Class 1 Insulated Terminals, Insulation Restricting
INSULATION: Nylon, UL 94V-2
TERMINAL BODY & SLEEVE: Copper, ASTM B-152
PLATING: Nickel, QQ-N-290, or Tin, ASTM B-545
MAX TEMP RATING: 105° C

Tool Selection Guide*

| TERMINAL SPECS | | | | | DMC TOOL/DIE OPTIONS | | | | |
|----------------|--------------|------------------------------|----------------------------|-----------------------------|--------------------------|--------------------------|--------------------------|----------|--|
| AWG | WIRE SIZE MM | INSULATION DIAMETER IN. (MM) | SLEEVE COLOR | TERMINAL/SPLICE PART NUMBER | HX4 SERIES MIL APPROVED* | HX3 SERIES MIL APPROVED* | HX4 SERIES SINGLE CAVITY | | |
| #12 | 3.37 | .095-.200 (2.41-5.08) | Yellow w/ Yellow Stripe | M7928/1- | 56 | Y501 Die | X515 Die | Y670 Die | |
| | | | | | 57 | Y501 Die | X515 Die | Y670 Die | |
| | | | | | 58 | Y501 Die | X515 Die | Y670 Die | |
| | | | | | 59 | Y501 Die | X515 Die | Y670 Die | |
| | | | | | 60 | Y501 Die | X515 Die | Y670 Die | |
| | | | | | 61 | Y501 Die | X515 Die | Y670 Die | |
| | | | | | 62 | Y501 Die | X515 Die | Y670 Die | |

* If MIL Approval is required, QPL status should be verified. Consult DMC for current status.

Terminal Manufacturers' Part Numbers

| TERMINAL SPECS | | | TERMINAL MANUFACTURERS' TERMINAL # | | | | | | |
|----------------|----------------------------|-----------------------------|------------------------------------|---------------|-------|---------|--------------|-----------|------------|
| AWG | SLEEVE COLOR | TERMINAL/SPLICE PART NUMBER | BURNDY | HOLLINGSWORTH | MOLEX | PANDUIT | THOMAS&BETTS | TYCO ELEC | |
| #12 | Yellow w/ Yellow Stripe | M7928/1- | 56 | -- | -- | -- | -- | -- | 2-36161-5 |
| | | | 57 | -- | -- | -- | -- | -- | 2-320568-2 |
| | | | 58 | -- | -- | -- | -- | -- | 2-36161-3 |
| | | | 59 | -- | -- | -- | -- | -- | 2-320569-5 |
| | | | 60 | -- | -- | -- | -- | -- | 2-320576-2 |
| | | | 61 | -- | -- | -- | -- | -- | 2-320577-1 |
| | | | 62 | -- | -- | -- | -- | -- | -- |

NOTE: Component manufactures' and OEM instructions shall take precedence over the information presented in these charts. Wire ranges are for reference only.

HX4 TOOL SERIES OPTIONS FOR Y-DIES

HX4 Hand Tools, p. 70 & 75
 HXE4B, HXE4-R Battery Tools, p. 72 & 73
 HX23 Pneumatic Tool, p. 74
 EHCY Electric Hydraulic Tool, p. 76

HX3 TOOL SERIES OPTIONS FOR X-DIES

HX3 Hand Tools, p. 70 & 75
 PHX3 Pneumatic Tool, p. 75

M7928/1-63 to -69, Size 10



Similar Terminal Shown

TYPE: Class 1 Insulated Terminals, Insulation Restricting
INSULATION: Nylon, UL 94V-2
TERMINAL BODY & SLEEVE: Copper, ASTM B-152
PLATING: Nickel, QQ-N-290, or Tin, ASTM B-545
MAX TEMP RATING: 105° C

Tool Selection Guide*

| TERMINAL SPECS | | | | | DMC TOOL/DIE OPTIONS | | | |
|----------------|--------------|------------------------------|------------------------|-----------------------------|--------------------------|--------------------------|--------------------------|----------|
| AWG | WIRE SIZE MM | INSULATION DIAMETER IN. (MM) | SLEEVE COLOR | TERMINAL/SPLICE PART NUMBER | HX4 SERIES MIL APPROVED* | HX3 SERIES MIL APPROVED* | HX4 SERIES SINGLE CAVITY | |
| #10 | 6.11 | .119-.200 (3.02-5.08) | Yellow w/ Brown Stripe | M7928/1- | 63 | Y501 Die | X515 Die | Y670 Die |
| | | | | | 64 | Y501 Die | X515 Die | Y670 Die |
| | | | | | 65 | Y501 Die | X515 Die | Y670 Die |
| | | | | | 66 | Y501 Die | X515 Die | Y670 Die |
| | | | | | 67 | Y501 Die | X515 Die | Y670 Die |
| | | | | | 68 | Y501 Die | X515 Die | Y670 Die |
| | | | | | 69 | Y501 Die | X515 Die | Y670 Die |

* If MIL Approval is required, QPL status should be verified. Consult DMC for current status.

Terminal Manufacturers' Part Numbers

| TERMINAL SPECS | | | TERMINAL MANUFACTURERS' TERMINAL # | | | | | | |
|----------------|------------------------|-----------------------------|------------------------------------|---------------|-------|---------|--------------|-----------|------------|
| AWG | SLEEVE COLOR | TERMINAL/SPLICE PART NUMBER | BURNDY | HOLLINGSWORTH | MOLEX | PANDUIT | THOMAS&BETTS | TYCO ELEC | |
| #10 | Yellow w/ Brown Stripe | M7928/1- | 63 | -- | -- | -- | -- | -- | 2-36161-6 |
| | | | 64 | -- | -- | -- | -- | -- | 2-320568-3 |
| | | | 65 | -- | -- | -- | -- | -- | 2-36161-4 |
| | | | 66 | -- | -- | -- | -- | -- | 2-320569-6 |
| | | | 67 | -- | -- | -- | -- | -- | 2-320576-3 |
| | | | 68 | -- | -- | -- | -- | -- | 2-320577-2 |
| | | | 69 | -- | -- | -- | -- | -- | -- |

NOTE: Component manufactures' and OEM instructions shall take precedence over the information presented in these charts. Wire ranges are for reference only.

HX4 TOOL SERIES OPTIONS FOR Y-DIES

HX4 Hand Tools, p. 70 & 75
 HXE4B, HXE4-R Battery Tools, p. 72 & 73
 HX23 Pneumatic Tool, p. 74
 EHCY Electric Hydraulic Tool, p. 76

HX3 TOOL SERIES OPTIONS FOR X-DIES

HX3 Hand Tools, p. 70 & 75
 PHX3 Pneumatic Tool, p. 75

M7928/4-101 to -110, Sizes 22 to 14



Similar Terminal Shown

TYPE: Class 1 Insulated Terminals, Radiation Resistant
INSULATION: Polyvinylidene flouride (PVF2)
TERMINAL BODY & SLEEVE: Copper, ASTM B-152
PLATING: Tin, ASTM B-545
MAX TEMP RATING: 150° C

Tool Selection Guide*

| TERMINAL SPECS | | | | | DMC TOOL/DIE OPTIONS | | | | | |
|----------------|--------------|------------------------------|--------------|-----------------------------|--------------------------|--------------------------|--------------------|--------------------------|-------------------------|-----------|
| AWG | WIRE SIZE MM | INSULATION DIAMETER IN. (MM) | SLEEVE COLOR | TERMINAL/SPLICE PART NUMBER | HX4 SERIES MIL APPROVED* | HX3 SERIES MIL APPROVED* | MIL APPROVED* TOOL | HX4 SERIES SINGLE CAVITY | HX4 SERIES MULTI CAVITY | |
| #22-18 | 0.26-0.96 | .140 (3.56) | Red | M7928/4- | 101 | Y501 Die | X511 Die | M22520/40-01 | Y672 Die | Y1060 Die |
| | | | | | 102 | Y501 Die | X511 Die | M22520/40-01 | Y672 Die | Y1060 Die |
| | | | | | 103 | Y501 Die | X511 Die | M22520/40-01 | Y672 Die | Y1060 Die |
| | | | | | 104 | Y501 Die | X511 Die | M22520/40-01 | Y672 Die | Y1060 Die |
| | | | | | 105 | Y501 Die | X511 Die | M22520/40-01 | Y672 Die | Y1060 Die |
| #16-14 | 1.04 - 2.62 | .170 (4.32) | Blue | M7928/4- | 106 | Y501 Die | X511 Die | M22520/40-01 | Y671 Die | Y1060 Die |
| | | | | | 107 | Y501 Die | X511 Die | M22520/40-01 | Y671 Die | Y1060 Die |
| | | | | | 108 | Y501 Die | X511 Die | M22520/40-01 | Y671 Die | Y1060 Die |
| | | | | | 109 | Y501 Die | X511 Die | M22520/40-01 | Y671 Die | Y1060 Die |
| | | | | | 110 | Y501 Die | X511 Die | M22520/40-01 | Y671 Die | Y1060 Die |

* If MIL Approval is required, QPL status should be verified. Consult DMC for current status.

Terminal Manufacturers' Part Numbers

| TERMINAL SPECS | | | TERMINAL MANUFACTURERS' TERMINAL # | | | | | | |
|----------------|--------------|-----------------------------|------------------------------------|---------------|-------|---------|--------------|-----------|---------|
| AWG | SLEEVE COLOR | TERMINAL/SPLICE PART NUMBER | BURNDY | HOLLINGSWORTH | MOLEX | PANDUIT | THOMAS&BETTS | TYCO ELEC | |
| #22-18 | Red | M7928/4- | 101 | -- | -- | -- | -- | -- | 53406-1 |
| | | | 102 | -- | -- | -- | -- | -- | 53407-1 |
| | | | 103 | -- | -- | -- | -- | -- | 53409-1 |
| | | | 104 | -- | -- | -- | -- | -- | 53411-1 |
| | | | 105 | -- | -- | -- | -- | -- | 53412-1 |
| #16-14 | Blue | M7928/4- | 106 | -- | -- | -- | -- | -- | 53415-1 |
| | | | 107 | -- | -- | -- | -- | -- | 53416-1 |
| | | | 108 | -- | -- | -- | -- | -- | 53418-1 |
| | | | 109 | -- | -- | -- | -- | -- | 53420-1 |
| | | | 110 | -- | -- | -- | -- | -- | 53421-1 |

NOTE: Component manufactures' and OEM instructions shall take precedence over the information presented in these charts. Wire ranges are for reference only.

HX4 TOOL SERIES OPTIONS FOR Y-DIES

HX4 Hand Tools, p. 70 & 75
 HXE4B, HXE4-R Battery Tools, p. 72 & 73
 HX23 Pneumatic Tool, p. 74
 EHCY Electric Hydraulic Tool, p. 76

HX3 TOOL SERIES OPTIONS FOR X-DIES

HX3 Hand Tools, p. 70 & 75
 PHX3 Pneumatic Tool, p. 75



Similar Terminal Shown

M7928/4-111 to -114, Sizes 12 to 10

TYPE: Class 1 Insulated Terminals, Radiation Resistant
INSULATION: Polyvinylidene flouride (PVF2)
TERMINAL BODY & SLEEVE: Copper, ASTM B-152
PLATING: Tin, ASTM B-545
MAX TEMP RATING: 150° C

Tool Selection Guide*

| TERMINAL SPECS | | | | | DMC TOOL/DIE OPTIONS | | | | |
|----------------|--------------|------------------------------|--------------|-----------------------------|--------------------------|--------------------------|--------------------------|----------|--|
| AWG | WIRE SIZE MM | INSULATION DIAMETER IN. (MM) | SLEEVE COLOR | TERMINAL/SPLICE PART NUMBER | HX4 SERIES MIL APPROVED* | HX3 SERIES MIL APPROVED* | HX4 SERIES SINGLE CAVITY | | |
| #12-10 | 2.62 - 6.64 | .230 (5.84) | Yellow | M7928/4- | 111 | Y501 Die | X515 Die | Y670 Die | |
| | | | | | 112 | Y501 Die | X515 Die | Y670 Die | |
| | | | | | 113 | Y501 Die | X515 Die | Y670 Die | |
| | | | | | 114 | Y501 Die | X515 Die | Y670 Die | |

* If MIL Approval is required, QPL status should be verified. Consult DMC for current status.

Terminal Manufacturers' Part Numbers

| TERMINAL SPECS | | | TERMINAL MANUFACTURERS' TERMINAL # | | | | | | |
|----------------|--------------|-----------------------------|------------------------------------|---------------|-------|---------|--------------|-----------|---------|
| AWG | SLEEVE COLOR | TERMINAL/SPLICE PART NUMBER | BURNDY | HOLLINGSWORTH | MOLEX | PANDUIT | THOMAS&BETTS | TYCO ELEC | |
| #12-10 | Yellow | M7928/4- | 111 | -- | -- | -- | -- | -- | 53423-1 |
| | | | 112 | -- | -- | -- | -- | -- | 53425-1 |
| | | | 113 | -- | -- | -- | -- | -- | 53427-1 |
| | | | 114 | -- | -- | -- | -- | -- | 53428-1 |

NOTE: Component manufactures' and OEM instructions shall take precedence over the information presented in these charts. Wire ranges are for reference only.

HX4 TOOL SERIES OPTIONS FOR Y-DIES

HX4 Hand Tools, p. 70 & 75
 HXE4B, HXE4-R Battery Tools, p. 72 & 73
 HX23 Pneumatic Tool, p. 74
 EHCY Electric Hydraulic Tool, p. 76

HX3 TOOL SERIES OPTIONS FOR X-DIES

HX3 Hand Tools, p. 70 & 75
 PHX3 Pneumatic Tool, p. 75



Similar Terminal Shown

M7928/4-143 to -151, Sizes 26 to 18

TYPE: Class 1 Insulated Terminals, Radiation Resistant
INSULATION: Polyvinylidene flouride (PVF2)
TERMINAL BODY & SLEEVE: Copper, ASTM B-152
PLATING: Tin, ASTM B-545
MAX TEMP RATING: 150° C

Tool Selection Guide*

| TERMINAL SPECS | | | | | DMC TOOL/DIE OPTIONS | | | | | |
|----------------|--------------|------------------------------|--------------|-----------------------------|--------------------------|--------------------------|--------------------|--------------------------|-------------------------|-----------|
| AWG | WIRE SIZE MM | INSULATION DIAMETER IN. (MM) | SLEEVE COLOR | TERMINAL/SPLICE PART NUMBER | HX4 SERIES MIL APPROVED* | HX3 SERIES MIL APPROVED* | MIL APPROVED* TOOL | HX4 SERIES SINGLE CAVITY | HX4 SERIES MULTI CAVITY | |
| #26-24 | 0.10 - 0.26 | .082 (2.09) | Yellow | M7928/4- | 143 | Y501 Die | X511 Die | M22520/40-01 | Y672 Die | Y1060 Die |
| | | | | | 144 | Y501 Die | X511 Die | M22520/40-01 | Y672 Die | Y1060 Die |
| | | | | | 145 | Y501 Die | X511 Die | M22520/40-01 | Y672 Die | Y1060 Die |
| | | | | | 146 | Y501 Die | X511 Die | M22520/40-01 | Y672 Die | Y1060 Die |
| | | | | | 147 | Y501 Die | X511 Die | M22520/40-01 | Y672 Die | Y1060 Die |
| #22-18 | 0.26 - 0.96 | .125 (3.18) | Red | M7928/4- | 148 | Y501 Die | X511 Die | M22520/40-01 | Y672 Die | Y1060 Die |
| | | | | | 149 | Y501 Die | X511 Die | M22520/40-01 | Y672 Die | Y1060 Die |
| | | | | | 150 | Y501 Die | X511 Die | M22520/40-01 | Y672 Die | Y1060 Die |
| | | | | | 151 | Y501 Die | X511 Die | M22520/40-01 | Y672 Die | Y1060 Die |

* If MIL Approval is required, QPL status should be verified. Consult DMC for current status.

Terminal Manufacturers' Part Numbers

| TERMINAL SPECS | | | TERMINAL MANUFACTURERS' TERMINAL # | | | | | | |
|----------------|--------------|-----------------------------|------------------------------------|---------------|-------|---------|--------------|-----------|---------|
| AWG | SLEEVE COLOR | TERMINAL/SPLICE PART NUMBER | BURNDY | HOLLINGSWORTH | MOLEX | PANDUIT | THOMAS&BETTS | TYCO ELEC | |
| #26-24 | Yellow | M7928/4- | 143 | -- | -- | -- | -- | -- | 53400-1 |
| | | | 144 | -- | -- | -- | -- | -- | 53401-1 |
| | | | 145 | -- | -- | -- | -- | -- | 53402-1 |
| | | | 146 | -- | -- | -- | -- | -- | 53403-1 |
| | | | 147 | -- | -- | -- | -- | -- | 53404-1 |
| #22-18 | Red | M7928/4- | 148 | -- | -- | -- | -- | -- | 53405-1 |
| | | | 149 | -- | -- | -- | -- | -- | 53408-1 |
| | | | 150 | -- | -- | -- | -- | -- | 53410-1 |
| | | | 151 | -- | -- | -- | -- | -- | 53413-1 |

NOTE: Component manufactures' and OEM instructions shall take precedence over the information presented in these charts. Wire ranges are for reference only.

HX4 TOOL SERIES OPTIONS FOR Y-DIES

HX4 Hand Tools, p. 70 & 75
 HXE4B, HXE4-R Battery Tools, p. 72 & 73
 HX23 Pneumatic Tool, p. 74
 EHCY Electric Hydraulic Tool, p. 76

HX3 TOOL SERIES OPTIONS FOR X-DIES

HX3 Hand Tools, p. 70 & 75
 PHX3 Pneumatic Tool, p. 75



Similar Terminal Shown

M7928/4-152 TO -159, SIZES 16 TO 10

TYPE: Class 1 Insulated Terminals, Radiation Resistant
INSULATION: Polyvinylidene flouride (PVF2)
TERMINAL BODY & SLEEVE: Copper, ASTM B-152
PLATING: Tin, ASTM B-545
MAX TEMP RATING: 150° C

Tool Selection Guide*

| TERMINAL SPECS | | | | | DMC TOOL/DIE OPTIONS | | | | | |
|----------------|--------------|------------------------------|--------------|-----------------------------|--------------------------|--------------------------|--------------------|--------------------------|-------------------------|-----------|
| AWG | WIRE SIZE MM | INSULATION DIAMETER IN. (MM) | SLEEVE COLOR | TERMINAL/SPLICE PART NUMBER | HX4 SERIES MIL APPROVED* | HX3 SERIES MIL APPROVED* | MIL APPROVED* TOOL | HX4 SERIES SINGLE CAVITY | HX4 SERIES MULTI CAVITY | |
| #16-14 | 1.04 - 2.62 | .150 (3.81) | Blue | M7928/4- | 152 | Y501 Die | X511 Die | M22520/40-01 | Y671 Die | Y1060 Die |
| | | | | | 153 | Y501 Die | X511 Die | M22520/40-01 | Y671 Die | Y1060 Die |
| | | | | | 154 | Y501 Die | X511 Die | M22520/40-01 | Y671 Die | Y1060 Die |
| | | | | | 155 | Y501 Die | X511 Die | M22520/40-01 | Y671 Die | Y1060 Die |
| #12-10 | 2.62 - 6.64 | .230 (5.84) | Yellow | M7928/4- | 156 | Y501 Die | X515 Die | -- | Y670 Die | -- |
| | | | | | 157 | Y501 Die | X515 Die | -- | Y670 Die | -- |
| | | | | | 158 | Y501 Die | X515 Die | -- | Y670 Die | -- |
| | | | | | 159 | Y501 Die | X515 Die | -- | Y670 Die | -- |

* If MIL Approval is required, QPL status should be verified. Consult DMC for current status.

Terminal Manufacturers' Part Numbers

| TERMINAL SPECS | | | TERMINAL MANUFACTURERS' TERMINAL # | | | | | | |
|----------------|--------------|-----------------------------|------------------------------------|---------------|-------|---------|--------------|-----------|---------|
| AWG | SLEEVE COLOR | TERMINAL/SPLICE PART NUMBER | BURNDY | HOLLINGSWORTH | MOLEX | PANDUIT | THOMAS&BETTS | TYCO ELEC | |
| #16-14 | Blue | M7928/4- | 152 | -- | -- | -- | -- | -- | 53414-1 |
| | | | 153 | -- | -- | -- | -- | -- | 53417-1 |
| | | | 154 | -- | -- | -- | -- | -- | 53419-1 |
| | | | 155 | -- | -- | -- | -- | -- | 53422-1 |
| #12-10 | Yellow | M7928/4- | 156 | -- | -- | -- | -- | -- | 53424-1 |
| | | | 157 | -- | -- | -- | -- | -- | 53426-1 |
| | | | 158 | -- | -- | -- | -- | -- | -- |
| | | | 159 | -- | -- | -- | -- | -- | -- |

NOTE: Component manufactures' and OEM instructions shall take precedence over the information presented in these charts. Wire ranges are for reference only.

HX4 TOOL SERIES OPTIONS FOR Y-DIES

HX4 Hand Tools, p. 70 & 75
 HXE4B, HXE4-R Battery Tools, p. 72 & 73
 HX23 Pneumatic Tool, p. 74
 EHCY Electric Hydraulic Tool, p. 76

HX3 TOOL SERIES OPTIONS FOR X-DIES

HX3 Hand Tools, p. 70 & 75
 PHX3 Pneumatic Tool, p. 75



Similar Splice Shown

M7928/5-1 TO -5, SIZES 26 TO 10

TYPE: Class 1 Insulated Splices
INSULATION: Nylon, UL 94V-2
TERMINAL BODY & SLEEVE: Copper, ASTM B-152
PLATING: Nickel, QQ-N-290, or Tin, ASTM B-545
MAX TEMP RATING: 105° C

Tool Selection Guide*

| SPLICE SPECS | | | | | | DMC TOOL/DIE OPTIONS | |
|--------------|--------------|------------------------------|--------------|-----------------------------|---|--------------------------|--------------------|
| AWG | WIRE SIZE MM | INSULATION DIAMETER IN. (MM) | SLEEVE COLOR | TERMINAL/SPLICE PART NUMBER | | HX4 SERIES MIL APPROVED* | MIL APPROVED* TOOL |
| #26-24 | 0.12-0.24 | .082 (2.08) | Yellow | M7928/5- | 1 | Y527 Die | M22520/40-01 |
| #24 -20 | 0.16-0.65 | .100 (2.54) | Natural | M7928/5- | 2 | Y527 Die | M22520/40-01 |
| #22-18 | 0.26-0.96 | .125 (3.18) | Red | M7928/5- | 3 | Y501 Die | M22520/40-01 |
| #16-14 | 1.04-2.62 | .150 (3.81) | Blue | M7928/5- | 4 | Y539 Die | M22520/40-01 |
| #12-10 | 2.62-6.64 | .220 (5.59) | Yellow | M7928/5- | 5 | Y501 Die | -- |

* If MIL Approval is required, QPL status should be verified. Consult DMC for current status.

Splice Manufacturers' Part Numbers

| SPLICE SPECS | | | | SPLICE MANUFACTURERS' SPLICE # | | | | | |
|--------------|--------------|-----------------------------|---|--------------------------------|---------------|-------|---------|--------------|---------------------|
| AWG | SLEEVE COLOR | TERMINAL/SPLICE PART NUMBER | | BURNDY | HOLLINGSWORTH | MOLEX | PANDUIT | THOMAS&BETTS | TYCO ELEC (RAYCHEM) |
| #26-24 | Yellow | M7928/5- | 1 | -- | -- | -- | -- | -- | 323994 |
| #24 -20 | Natural | M7928/5- | 2 | -- | -- | -- | -- | -- | 323975 |
| #22-18 | Red | M7928/5- | 3 | -- | B18 70BN | -- | WA-840 | -- | 320559 |
| #16-14 | Blue | M7928/5- | 4 | -- | B18 71BN | -- | WB-841 | -- | 320562 |
| #12-10 | Yellow | M7928/5- | 5 | -- | B18 72BN | -- | WC-842 | -- | 320570 |

NOTE: Component manufactures' and OEM instructions shall take precedence over the information presented in these charts. Wire ranges are for reference only.

HX4 TOOL SERIES OPTIONS FOR Y-DIES

HX4 Hand Tools, p. 70 & 75
 HXE4B, HXE4-R Battery Tools, p. 72 & 73
 HX23 Pneumatic Tool, p. 74
 EHCY Electric Hydraulic Tool, p. 76



Similar Splice Shown

M7928/6-1 TO -5, SIZES 26 TO 10

TYPE: Class 1 Insulated Splices, Radiation Resistant
INSULATION: Polyninyldene flouride (PVF2) [Natural Color]
SPLICE BODY & SLEEVE: Copper, ASTM B-152
PLATING: Tin, ASTM B-545
MAX TEMP RATING: 105° C

Tool Selection Guide*

| SPLICE SPECS | | | | | DMC TOOL/DIE OPTIONS | | |
|--------------|--------------|------------------------------|---------------|-----------------------------|----------------------|--------------------------|--------------------|
| AWG | WIRE SIZE MM | INSULATION DIAMETER IN. (MM) | SLEEVE COLOR | TERMINAL/SPLICE PART NUMBER | | HX4 SERIES MIL APPROVED* | MIL APPROVED* TOOL |
| #26-24 | 0.12-0.24 | .082 (2.08) | Yellow Stripe | M7928/6-1 | 1 | Y527 Die | M22520/40-01 |
| #24 -20 | 0.16-0.65 | .100 (2.54) | White Stripe | M7928/6-2 | 2 | Y527 Die | M22520/40-01 |
| #22-18 | 0.26-0.96 | .125 (3.18) | Red Stripe | M7928/6-3 | 3 | Y501 Die | M22520/40-01 |
| #16-14 | 1.04-2.62 | .150 (3.81) | Blue Stripe | M7928/6-4 | 4 | Y539 Die | M22520/40-01 |
| #12-10 | 2.62-6.64 | .220 (5.59) | Yellow Stripe | M7928/6-5 | 5 | Y501 Die | -- |

* If MIL Approval is required, QPL status should be verified. Consult DMC for current status.

Splice Manufacturers' Part Numbers

| SPLICE SPECS | | | | SPLICE MANUFACTURERS' SPLICE # | | | | | |
|--------------|---------------|-----------------------------|---|--------------------------------|---------------|-------|---------|--------------|---------------------|
| AWG | SLEEVE COLOR | TERMINAL/SPLICE PART NUMBER | | BURNDY | HOLLINGSWORTH | MOLEX | PANDUIT | THOMAS&BETTS | TYCO ELEC (RAYCHEM) |
| #26-24 | Yellow Stripe | M7928/6-1 | 1 | -- | -- | -- | -- | -- | 53546-1 |
| #24 -20 | White Stripe | M7928/6-2 | 2 | -- | -- | -- | -- | -- | 53547-1 |
| #22-18 | Red Stripe | M7928/6-3 | 3 | -- | -- | -- | -- | -- | 53548-1 |
| #16-14 | Blue Stripe | M7928/6-4 | 4 | -- | -- | -- | -- | -- | 53549-1 |
| #12-10 | Yellow Stripe | M7928/6-5 | 5 | -- | -- | -- | -- | -- | 53550-1 |

NOTE: Component manufactures' and OEM instructions shall take precedence over the information presented in these charts. Wire ranges are for reference only.

HX4 TOOL SERIES OPTIONS FOR Y-DIES

HX4 Hand Tools, p. 70 & 75
 HXE4B, HXE4-R Battery Tools, p. 72 & 73
 HX23 Pneumatic Tool, p. 74
 EHCY Electric Hydraulic Tool, p. 76



Similar Terminal Shown

M7928/7-1 TO -11, SIZES 22 TO 14

TYPE: Class 1 Uninsulated Terminals, Ring Tongue
INSULATION: N/A
TERMINAL BODY & SLEEVE: Copper, ASTM B-152
PLATING: Tin, ASTM B-545
MAX TEMP RATING: 175° C

Tool Selection Guide*

| TERMINAL SPECS | | | | | DMC TOOL/DIE OPTIONS | | | | | |
|----------------|--------------|------------------------------|--------------|-----------------------------|------------------------------------|-------------------------------------|----------------------------|-----------------------------|-------------|---------------|
| AWG | WIRE SIZE MM | INSULATION DIAMETER IN. (MM) | SLEEVE COLOR | TERMINAL/SPLICE PART NUMBER | HX4 SERIES MULTI CAVITY (1 INDENT) | HX4 SERIES MULTI CAVITY (2 INDENTS) | GMT SERIES TOOL (1 INDENT) | GMT SERIES TOOL (2 INDENTS) | DCT4 SERIES | |
| #22-18 | 0.26-0.96 | N/A | N/A | M7928/7- | 1 | Y554 Die | Y788 Die | GMT277 | GMT1005 | DCT4-105D Die |
| | | | | | 2 | Y554 Die | Y788 Die | GMT277 | GMT1005 | DCT4-105D Die |
| | | | | | 3 | Y554 Die | Y788 Die | GMT277 | GMT1005 | DCT4-105D Die |
| | | | | | 4 | Y554 Die | Y788 Die | GMT277 | GMT1005 | DCT4-105D Die |
| | | | | | 5 | Y554 Die | Y788 Die | GMT277 | GMT1005 | DCT4-105D Die |
| | | | | | 6 | Y554 Die | Y788 Die | GMT277 | GMT1005 | DCT4-105D Die |
| #16-14 | 1.04 - 2.62 | N/A | N/A | M7928/7- | 7 | Y554 Die | Y788 Die | GMT277 | GMT1005 | DCT4-105D Die |
| | | | | | 8 | Y554 Die | Y788 Die | GMT277 | GMT1005 | DCT4-105D Die |
| | | | | | 9 | Y554 Die | Y788 Die | GMT277 | GMT1005 | DCT4-105D Die |
| | | | | | 10 | Y554 Die | Y788 Die | GMT277 | GMT1005 | DCT4-105D Die |
| | | | | | 11 | Y554 Die | Y788 Die | GMT277 | GMT1005 | DCT4-105D Die |

* If MIL Approval is required, QPL status should be verified. Consult DMC for current status.

Terminal Manufacturers' Part Numbers

| TERMINAL SPECS | | | TERMINAL MANUFACTURERS' TERMINAL # | | | | | | |
|----------------|--------------|-----------------------------|------------------------------------|---------------|--------|---------|--------------|-----------|--------|
| AWG | SLEEVE COLOR | TERMINAL/SPLICE PART NUMBER | BURNDY | HOLLINGSWORTH | MOLEX | PANDUIT | THOMAS&BETTS | TYCO ELEC | |
| #22-18 | N/A | M7928/7- | 1 | -- | R4103B | -- | -- | -- | -- |
| | | | 2 | -- | R4104B | -- | -- | -- | -- |
| | | | 3 | -- | R4262B | -- | -- | -- | -- |
| | | | 4 | -- | R4264B | -- | -- | -- | -- |
| | | | 5 | -- | R4114B | -- | -- | -- | -- |
| | | | 6 | -- | R4115B | -- | -- | -- | -- |
| #16-14 | N/A | M7928/7- | 7 | -- | R4121B | -- | -- | -- | -- |
| | | | 8 | -- | R4123B | -- | -- | -- | 320093 |
| | | | 9 | -- | R4125B | -- | -- | -- | -- |
| | | | 10 | -- | R4126B | -- | -- | -- | -- |
| | | | 11 | -- | R4119B | -- | -- | -- | -- |

NOTE: Component manufactures' and OEM instructions shall take precedence over the information presented in these charts. Wire ranges are for reference only.

GMT TOOL SERIES OPTIONS

GMTxxx Hand Tool, p. 102
 GMTEBxxx Battery Tool, p. 104
 GMTExxx-R Battery Tool, p. 105

HX4 TOOL SERIES OPTIONS FOR Y-DIES

HX4 Hand Tools, p. 70 & 75
 HXE4B, HXE4-R Battery Tools, p. 72 & 73
 HX23 Pneumatic Tool, p. 74
 EHCY Electric Hydraulic Tool, p. 76

DCT TOOL SERIES OPTIONS

DCT4 Hand Tool, p. 106
 DCTE4B Battery Tool, p. 106



Similar Splice Shown

M81824/1-01 TO -03, SIZES 26 TO 12

TYPE: Class 1 Insulated Splices

INSULATION: Heat Shrinkable Transparent Polyvinylidene Fluoride

SPLICE BODY & SLEEVE: Copper, WW-T-775 or ASTMB75-68
or QQ-C-502 or QQ-C-578

PLATING: Tin

SEALING MATERIAL: Modified Thermoplastic

MAX TEMP RATING: 150° C

Tool Selection Guide*

| SPLICE SPECS | | | | | | DMC TOOL/DIE OPTIONS | | | |
|--------------|--------------|-------------------------------|--------------|-----------------------------|----|--------------------------|--------------------------|--------------------------|----------------|
| AWG | WIRE SIZE MM | MULTIPLE CONDUCTORS CMA RANGE | SLEEVE COLOR | TERMINAL/SPLICE PART NUMBER | | GMT SERIES MIL* APPROVED | HX4 SERIES MIL* APPROVED | HX3 SERIES MIL* APPROVED | HX4 SERIES DIE |
| #26-20 | 0.15-0.61 | 304 - 1510 | Red | M81824/1- | 01 | GMT232 | Y540 Die | X528 Die | Y516 Die |
| #20-16 | 0.39-1.34 | 779 - 2680 | Blue | M81824/1- | 02 | GMT232 | Y540 Die | X528 Die | Y516 Die |
| #16-12 | 0.95-3.37 | 1900 - 6755 | Yellow | M81824/1- | 03 | GMT232 | Y539 Die | X527 Die | Y516 Die |

* If MIL Approval is required, QPL status should be verified. Consult DMC for current status.

Splice Manufacturers' Part Numbers

| SPLICE SPECS | | | | SPLICE MANUFACTURERS' SPLICE # | | | | | | |
|--------------|--------------|-----------------------------|----|--------------------------------|---------------|-------|---------|----------------------|---------------------|-------------|
| AWG | SLEEVE COLOR | TERMINAL/SPLICE PART NUMBER | | BURNDY | HOLLINGSWORTH | MOLEX | PANDUIT | TRI-STAR ELECTRONICS | TYCO ELEC (RAYCHEM) | SUMITOMO |
| #26-20 | Red | M81824/1- | 01 | -- | -- | -- | -- | H-C2005T | D-436-36 | H-CR-436-36 |
| #20-16 | Blue | M81824/1- | 02 | -- | -- | -- | -- | H-C1605T | D-436-37 | H-CR-436-37 |
| #16-12 | Yellow | M81824/1- | 03 | -- | -- | -- | -- | H-C1205T | D-436-38 | H-CR-436-38 |

NOTE: Component manufactures' and OEM instructions shall take precedence over the information presented in these charts. Wire ranges are for reference only.

GMT TOOL SERIES OPTIONS

GMTxxx Hand Tool, p. 102
GMTEBxxx Battery Tool, p. 104
GMTExxx-R Battery Tool, p. 105

HX4 TOOL SERIES OPTIONS FOR Y-DIES

HX4 Hand Tools, p. 70 & 75
HXE4B, HXE4-R Battery Tools, p. 72 & 73
HX23 Pneumatic Tool, p. 74
EHCY Electric Hydraulic Tool, p. 76

HX3 TOOL SERIES OPTIONS FOR X-DIES

HX3 Hand Tools, p. 70 & 75
PHX3 Pneumatic Tool, p. 75



Similar Splice Shown

M81824/6-01 to -03, Sizes 26 to 12

TYPE: Class 1 Insulated Splices

INSULATION: Heat Shrinkable Polyvinylidene Fluoride

SPLICE BODY & SLEEVE: Copper, ASTM B-280 or B75-68 or B152

PLATING: Tin, ASTM B-545

SEALING MATERIAL: Modified Thermoplastic

MAX TEMP RATING: 150° C

Tool Selection Guide*

| SPLICE SPECS | | | | | | DMC TOOL/DIE OPTIONS | | | |
|--------------|--------------|-------------------------------|--------------|-----------------------------|----|--------------------------|--------------------------|--------------------------|----------------|
| AWG | WIRE SIZE MM | MULTIPLE CONDUCTORS CMA RANGE | SLEEVE COLOR | TERMINAL/SPLICE PART NUMBER | | GMT SERIES MIL* APPROVED | HX4 SERIES MIL* APPROVED | HX3 SERIES MIL* APPROVED | HX4 SERIES DIE |
| #26-20 | 0.15-0.61 | 304 - 1510 | Red | M81824/6- | 01 | GMT232 | Y540 Die | X528 Die | Y516 Die |
| #20-16 | 0.39-1.34 | 779 - 2680 | Blue | M81824/6- | 02 | GMT232 | Y540 Die | X528 Die | Y516 Die |
| #16-12 | 0.95-3.37 | 1900 - 6755 | Yellow | M81824/6- | 03 | GMT232 | Y539 Die | X527 Die | Y516 Die |

* If MIL Approval is required, QPL status should be verified. Consult DMC for current status.

Splice Manufacturers' Part Numbers

| SPLICE SPECS | | | | SPLICE MANUFACTURERS' SPLICE # | | | | | | |
|--------------|--------------|-----------------------------|----|--------------------------------|---------------|-------|---------|----------------|---------------------|----------|
| AWG | SLEEVE COLOR | TERMINAL/SPLICE PART NUMBER | | BURNDY | HOLLINGSWORTH | MOLEX | PANDUIT | THOMAS & BETTS | TYCO ELEC (RAYCHEM) | SUMITOMO |
| #26-20 | Red | M81824/6- | 01 | -- | -- | -- | -- | -- | D-436-82 | -- |
| #20-16 | Blue | M81824/6- | 02 | -- | -- | -- | -- | -- | D-436-83 | -- |
| #16-12 | Yellow | M81824/6- | 03 | -- | -- | -- | -- | -- | D-436-84 | -- |

NOTE: Component manufactures' and OEM instructions shall take precedence over the information presented in these charts. Wire ranges are for reference only.

GMT TOOL SERIES OPTIONS

GMTxxx Hand Tool, p. 102
 GMTEBxxx Battery Tool, p. 104
 GMTExxx-R Battery Tool, p. 105

HX4 TOOL SERIES OPTIONS FOR Y-DIES

HX4 Hand Tools, p. 70 & 75
 HXE4B, HXE4-R Battery Tools, p. 72 & 73
 HX23 Pneumatic Tool, p. 74
 EHCY Electric Hydraulic Tool, p. 76

HX3 TOOL SERIES OPTIONS FOR X-DIES

HX3 Hand Tools, p. 70 & 75
 PHX3 Pneumatic Tool, p. 75

M81824/7-01 TO -03, SIZES 26 TO 12



Similar Splice Shown

TYPE: Class 1 Insulated Splices
INSULATION: Heat Shrinkable Polyvinylidene Fluoride
SPLICE BODY & SLEEVE: Copper, ASTM B-280 or B75-68 or B152
PLATING: Tin, ASTM B-545
SEALING MATERIAL: Modified Thermoplastic
MAX TEMP RATING: 150° C

Tool Selection Guide*

| SPLICE SPECS | | | | | DMC TOOL/DIE OPTIONS | | | | |
|--------------|--------------|-------------------------------|--------------|-----------------------------|--------------------------|--------------------------|--------------------------|----------------|--|
| AWG | WIRE SIZE MM | MULTIPLE CONDUCTORS CMA RANGE | SLEEVE COLOR | TERMINAL/SPLICE PART NUMBER | GMT SERIES MIL* APPROVED | HX4 SERIES MIL* APPROVED | HX3 SERIES MIL* APPROVED | HX4 SERIES DIE | |
| #26-20 | 0.15-0.61 | 304 - 1510 | Red | M81824/7-01 | GMT232 | Y540 Die | X528 Die | Y516 Die | |
| #20-16 | 0.39-1.34 | 779 - 2680 | Blue | M81824/7-02 | GMT232 | Y540 Die | X528 Die | Y516 Die | |
| #16-12 | 0.95-3.37 | 1900 - 6755 | Yellow | M81824/7-03 | GMT232 | Y539 Die | X527 Die | Y516 Die | |

* If MIL Approval is required, QPL status should be verified. Consult DMC for current status.

Splice Manufacturers' Part Numbers

| SPLICE SPECS | | | | SPLICE MANUFACTURERS' SPLICE # | | | | | | |
|--------------|--------------|-----------------------------|----|--------------------------------|---------------|-------|---------|----------------|---------------------|----------|
| AWG | SLEEVE COLOR | TERMINAL/SPLICE PART NUMBER | | BURNDY | HOLLINGSWORTH | MOLEX | PANDUIT | THOMAS & BETTS | TYCO ELEC (RAYCHEM) | SUMITOMO |
| #26-20 | Red | M81824/7- | 01 | -- | -- | -- | -- | -- | D-436-0110 | -- |
| #20-16 | Blue | M81824/7- | 02 | -- | -- | -- | -- | -- | D-436-52 | -- |
| #16-12 | Yellow | M81824/7- | 03 | -- | -- | -- | -- | -- | D-436-53 | -- |

NOTE: Component manufactures' and OEM instructions shall take precedence over the information presented in these charts. Wire ranges are for reference only.

GMT TOOL SERIES OPTIONS

GMTxxx Hand Tool, p. 102
 GMTEBxxx Battery Tool, p. 104
 GMTExxx-R Battery Tool, p. 105

HX4 TOOL SERIES OPTIONS FOR Y-DIES

HX4 Hand Tools, p. 70 & 75
 HXE4B, HXE4-R Battery Tools, p. 72 & 73
 HX23 Pneumatic Tool, p. 74
 EHCY Electric Hydraulic Tool, p. 76

HX3 TOOL SERIES OPTIONS FOR X-DIES

HX3 Hand Tools, p. 70 & 75
 PHX3 Pneumatic Tool, p. 75



Similar Splice Shown

M81824/8-01 TO -03, SIZES 26 TO 12

TYPE: Class 1 Insulated Splices

INSULATION: Heat Shrinkable Polyvinylidene Flouride

SPLICE BODY & SLEEVE: Copper, ASTM B-280 or B75-68 or B152

PLATING: Nickel, SAE AMS-QQ-N290

SEALING MATERIAL: Modified Thermoplastic

MAX TEMP RATING: 175° C

Tool Selection Guide*

| SPLICE SPECS | | | | | DMC TOOL/DIE OPTIONS | | | | |
|--------------|--------------|-------------------------------|--------------|-----------------------------|----------------------|--------------------------|--------------------------|--------------------------|----------------|
| AWG | WIRE SIZE MM | MULTIPLE CONDUCTORS CMA RANGE | SLEEVE COLOR | TERMINAL/SPLICE PART NUMBER | | GMT SERIES MIL* APPROVED | HX4 SERIES MIL* APPROVED | HX3 SERIES MIL* APPROVED | HX4 SERIES DIE |
| #26-20 | 0.15-0.61 | 304 - 1510 | Red | M81824/8- | 01 | GMT232 | Y540 Die | X528 Die | Y516 Die |
| #20-16 | 0.39-1.34 | 779 - 2680 | Blue | M81824/8- | 02 | GMT232 | Y540 Die | X528 Die | Y516 Die |
| #16-12 | 0.95-3.37 | 1900 - 6755 | Yellow | M81824/8- | 03 | GMT232 | Y539 Die | X527 Die | Y516 Die |

* If MIL Approval is required, QPL status should be verified. Consult DMC for current status.

Splice Manufacturers' Part Numbers

| SPLICE SPECS | | | | SPLICE MANUFACTURERS' SPLICE # | | | | | | |
|--------------|--------------|-----------------------------|----|--------------------------------|---------------|-------|---------|----------------|---------------------|----------|
| AWG | SLEEVE COLOR | TERMINAL/SPLICE PART NUMBER | | BURNDY | HOLLINGSWORTH | MOLEX | PANDUIT | THOMAS & BETTS | TYCO ELEC (RAYCHEM) | SUMITOMO |
| #26-20 | Red | M81824/8- | 01 | -- | -- | -- | -- | -- | D-436-85 | -- |
| #20-16 | Blue | M81824/8- | 02 | -- | -- | -- | -- | -- | D-436-86 | -- |
| #16-12 | Yellow | M81824/8- | 03 | -- | -- | -- | -- | -- | D-436-87 | -- |

NOTE: Component manufactures' and OEM instructions shall take precedence over the information presented in these charts. Wire ranges are for reference only.

GMT TOOL SERIES OPTIONS

GMTxxx Hand Tool, p. 102
 GMTEBxxx Battery Tool, p. 104
 GMTExxx-R Battery Tool, p. 105

HX4 TOOL SERIES OPTIONS FOR Y-DIES

HX4 Hand Tools, p. 70 & 75
 HXE4B, HXE4-R Battery Tools, p. 72 & 73
 HX23 Pneumatic Tool, p. 74
 EHCY Electric Hydraulic Tool, p. 76

HX3 TOOL SERIES OPTIONS FOR X-DIES

HX3 Hand Tools, p. 70 & 75
 PHX3 Pneumatic Tool, p. 75



Similar Splice Shown

M81824/9-01 TO -03, SIZES 26 TO 12

TYPE: Class 1 Insulated Splices

INSULATION: Heat Shrinkable Polyvinylidene Fluoride

SPLICE BODY & SLEEVE: Copper, ASTM B-280 or B75-68 or B152

PLATING: Tin, ASTM B-545

SEALING MATERIAL: Modified Thermoplastic

MAX TEMP RATING: 150° C

Tool Selection Guide*

| SPLICE SPECS | | | | | | DMC TOOL/DIE OPTIONS | | | |
|--------------|--------------|-------------------------------|--------------|-----------------------------|----|--------------------------|--------------------------|--------------------------|----------------|
| AWG | WIRE SIZE MM | MULTIPLE CONDUCTORS CMA RANGE | SLEEVE COLOR | TERMINAL/SPLICE PART NUMBER | | GMT SERIES MIL* APPROVED | HX4 SERIES MIL* APPROVED | HX3 SERIES MIL* APPROVED | HX4 SERIES DIE |
| #26-20 | 0.15-0.61 | 304 - 1510 | Red | M81824/9- | 01 | GMT232 | Y540 Die | X528 Die | Y516 Die |
| #20-16 | 0.39-1.34 | 779 - 2680 | Blue | M81824/9- | 02 | GMT232 | Y540 Die | X528 Die | Y516 Die |
| #16-12 | 0.95-3.37 | 1900 - 6755 | Yellow | M81824/9- | 03 | GMT232 | Y539 Die | X527 Die | Y516 Die |

* If MIL Approval is required, QPL status should be verified. Consult DMC for current status.

Splice Manufacturers' Part Numbers

| SPLICE SPECS | | | | SPLICE MANUFACTURERS' SPLICE # | | | | | | |
|--------------|--------------|-----------------------------|----|--------------------------------|---------------|-------|---------|----------------|---------------------|----------|
| AWG | SLEEVE COLOR | TERMINAL/SPLICE PART NUMBER | | BURNDY | HOLLINGSWORTH | MOLEX | PANDUIT | THOMAS & BETTS | TYCO ELEC (RAYCHEM) | SUMITOMO |
| #26-20 | Red | M81824/9- | 01 | -- | -- | -- | -- | -- | D-436-0115 | -- |
| #20-16 | Blue | M81824/9- | 02 | -- | -- | -- | -- | -- | D-436-42 | -- |
| #16-12 | Yellow | M81824/9- | 03 | -- | -- | -- | -- | -- | D-436-43 | -- |

NOTE: Component manufactures' and OEM instructions shall take precedence over the information presented in these charts. Wire ranges are for reference only.

GMT TOOL SERIES OPTIONS

GMTxxx Hand Tool, p. 102
 GMTEBxxx Battery Tool, p. 104
 GMTExxx-R Battery Tool, p. 105

HX4 TOOL SERIES OPTIONS FOR Y-DIES

HX4 Hand Tools, p. 70 & 75
 HXE4B, HXE4-R Battery Tools, p. 72 & 73
 HX23 Pneumatic Tool, p. 74
 EHCY Electric Hydraulic Tool, p. 76

HX3 TOOL SERIES OPTIONS FOR X-DIES

HX3 Hand Tools, p. 70 & 75
 PHX3 Pneumatic Tool, p. 75



Similar Splice Shown

M81824/10-01 TO -03, SIZES 26 TO 12

TYPE: Class 1 Insulated Splices

INSULATION: Heat Shrinkable Polyvinylidene Flouride

SPLICE BODY & SLEEVE: Copper, ASTM B-280 or B75-68 or B152

PLATING: Nickel, SAE AMS-QQ-N290

SEALING MATERIAL: Modified Thermoplastic

MAX TEMP RATING: 175° C

Tool Selection Guide*

| SPLICE SPECS | | | | | | DMC TOOL/DIE OPTIONS | | | |
|--------------|--------------|-------------------------------|--------------|-----------------------------|----|--------------------------|--------------------------|--------------------------|----------------|
| AWG | WIRE SIZE MM | MULTIPLE CONDUCTORS CMA RANGE | SLEEVE COLOR | TERMINAL/SPLICE PART NUMBER | | GMT SERIES MIL* APPROVED | HX4 SERIES MIL* APPROVED | HX3 SERIES MIL* APPROVED | HX4 SERIES DIE |
| #26-20 | 0.15-0.61 | 304 - 1510 | Red | M81824/10- | 01 | GMT232 | Y540 Die | X528 Die | Y516 Die |
| #20-16 | 0.39-1.34 | 779 - 2680 | Blue | M81824/10- | 02 | GMT232 | Y540 Die | X528 Die | Y516 Die |
| #16-12 | 0.95-3.37 | 1900 - 6755 | Yellow | M81824/10- | 03 | GMT232 | Y539 Die | X527 Die | Y516 Die |

* If MIL Approval is required, QPL status should be verified. Consult DMC for current status.

Splice Manufacturers' Part Numbers

| SPLICE SPECS | | | | SPLICE MANUFACTURERS' SPLICE # | | | | | | |
|--------------|--------------|-----------------------------|----|--------------------------------|---------------|-------|---------|----------------|---------------------|----------|
| AWG | SLEEVE COLOR | TERMINAL/SPLICE PART NUMBER | | BURNDY | HOLLINGSWORTH | MOLEX | PANDUIT | THOMAS & BETTS | TYCO ELEC (RAYCHEM) | SUMITOMO |
| #26-20 | Red | M81824/10- | 01 | -- | -- | -- | -- | -- | D-436-88 | -- |
| #20-16 | Blue | M81824/10- | 02 | -- | -- | -- | -- | -- | D-436-89 | -- |
| #16-12 | Yellow | M81824/10- | 03 | -- | -- | -- | -- | -- | D-436-90 | -- |

NOTE: Component manufactures' and OEM instructions shall take precedence over the information presented in these charts. Wire ranges are for reference only.

GMT TOOL SERIES OPTIONS

GMTxxx Hand Tool, p. 102
 GMTEBxxx Battery Tool, p. 104
 GMTExxx-R Battery Tool, p. 105

HX4 TOOL SERIES OPTIONS FOR Y-DIES

HX4 Hand Tools, p. 70 & 75
 HXE4B, HXE4-R Battery Tools, p. 72 & 73
 HX23 Pneumatic Tool, p. 74
 EHCY Electric Hydraulic Tool, p. 76

HX3 TOOL SERIES OPTIONS FOR X-DIES

HX3 Hand Tools, p. 70 & 75
 PHX3 Pneumatic Tool, p. 75



Similar Splice Shown

M81824/11-01 TO -03, SIZES 26 TO 12

TYPE: Class 1 Insulated Splices

INSULATION: Heat-Shrinkable Cross-Linked Polyvinylidene Fluoride, (SAE AMS-DTL-23053/18)

SPLICE BODY & SLEEVE: Copper, ASTM B-280, B-75, or B-187

PLATING: Nickel, SAE AMS-QQ-N290

SEALING MATERIAL: Modified Thermoplastic

MAX TEMP RATING: 200° C

Tool Selection Guide*

| SPLICE SPECS | | | | | | DMC TOOL/DIE OPTIONS | | | |
|--------------|--------------|-------------------------------|--------------|-----------------------------|----|--------------------------|--------------------------|--------------------------|----------------|
| AWG | WIRE SIZE MM | MULTIPLE CONDUCTORS CMA RANGE | SLEEVE COLOR | TERMINAL/SPLICE PART NUMBER | | GMT SERIES MIL* APPROVED | HX4 SERIES MIL* APPROVED | HX3 SERIES MIL* APPROVED | HX4 SERIES DIE |
| #26-20 | 0.15-0.61 | 304 - 1510 | Red | M81824/11- | 01 | GMT232 | Y540 Die | X528 Die | Y516 Die |
| #20-16 | 0.39-1.34 | 779 - 2680 | Blue | M81824/11- | 02 | GMT232 | Y540 Die | X528 Die | Y516 Die |
| #16-12 | 0.95-3.37 | 1900 - 6755 | Yellow | M81824/11- | 03 | GMT232 | Y539 Die | X527 Die | Y516 Die |

* If MIL Approval is required, QPL status should be verified. Consult DMC for current status.

Splice Manufacturers' Part Numbers

| SPLICE SPECS | | | | SPLICE MANUFACTURERS' SPLICE # | | | | | | |
|--------------|--------------|-----------------------------|----|--------------------------------|---------------|-------|---------|----------------|---------------------|----------|
| AWG | SLEEVE COLOR | TERMINAL/SPLICE PART NUMBER | | BURNDY | HOLLINGSWORTH | MOLEX | PANDUIT | THOMAS & BETTS | TYCO ELEC (RAYCHEM) | SUMITOMO |
| #26-20 | Red | M81824/11- | 01 | -- | -- | -- | -- | -- | D-200-82 | -- |
| #20-16 | Blue | M81824/11- | 02 | -- | -- | -- | -- | -- | D-200-83 | -- |
| #16-12 | Yellow | M81824/11- | 03 | -- | -- | -- | -- | -- | D-200-84 | -- |

NOTE: Component manufactures' and OEM instructions shall take precedence over the information presented in these charts. Wire ranges are for reference only.

GMT TOOL SERIES OPTIONS

GMTxxx Hand Tool, p. 102
 GMTEBxxx Battery Tool, p. 104
 GMTExxx-R Battery Tool, p. 105

HX4 TOOL SERIES OPTIONS FOR Y-DIES

HX4 Hand Tools, p. 70 & 75
 HXE4B, HXE4-R Battery Tools, p. 72 & 73
 HX23 Pneumatic Tool, p. 74
 EHCY Electric Hydraulic Tool, p. 76

HX3 TOOL SERIES OPTIONS FOR X-DIES

HX3 Hand Tools, p. 70 & 75
 PHX3 Pneumatic Tool, p. 75



Similar Splice Shown

M81824/12-01 TO -03, SIZES 26 TO 12

TYPE: Class 1 Splice, Environment Resistant, Heatless Sealing
INSULATION: Preformed Nylon with Colored End Cap, Gel Seal
TERMINAL BODY & SLEEVE: Copper
PLATING: Tin Coated
SEALING MATERIAL: Non-Opaque Gel
MAX TEMP RATING: 150° C

Tool Selection Guide*

| SPLICE SPECS | | | | | DMC TOOL/DIE OPTIONS | | |
|--------------|--------------|-------------------------------|---------------|-----------------------------|--------------------------|--------------------------|--|
| AWG | WIRE SIZE MM | MULTIPLE CONDUCTORS CMA RANGE | END CAP COLOR | TERMINAL/SPLICE PART NUMBER | GMT SERIES MIL APPROVED* | HX4 SERIES MIL APPROVED* | |
| #26-20 | -- | -- | Red | M81824/12-01 | GMT1090 | Y1090-1 | |
| #20-16 | -- | -- | Blue | M81824/12-02 | GMT1090 | Y1090-1 | |
| #14-12 | -- | -- | Yellow | M81824/12-03 | GMT1090 | Y1090-2 | |

* If MIL Approval is required, QPL status should be verified. Consult DMC for current status.

Splice Manufacturers' Part Numbers

| SPLICE SPECS | | | | SPLICE MANUFACTURERS' SPLICE # | | | | | | |
|--------------|---------------|-----------------------------|----|--------------------------------|---------------|-------|---------|----------------|---------------------|----------|
| AWG | END CAP COLOR | TERMINAL/SPLICE PART NUMBER | | BURNDY | HOLLINGSWORTH | MOLEX | PANDUIT | THOMAS & BETTS | TYCO ELEC (RAYCHEM) | SUMITOMO |
| #26-20 | Red | M81824/12- | 01 | -- | -- | -- | -- | -- | D-436-36-COLD | -- |
| #20-16 | Blue | M81824/12- | 02 | -- | -- | -- | -- | -- | D-436-37-COLD | -- |
| #14-12 | Yellow | M81824/12- | 03 | -- | -- | -- | -- | -- | D-436-38-COLD | -- |

NOTE: Component manufactures' and OEM instructions shall take precedence over the information presented in these charts. Wire ranges are for reference only.

GMT TOOL SERIES OPTIONS

GMTxxx Hand Tool, p. 102
 GMTEBxxx Battery Tool, p. 104
 GMTExxx-R Battery Tool, p. 105

HX4 TOOL SERIES OPTIONS FOR Y-DIES

HX4 Hand Tools, p. 70 & 75
 HXE4B, HXE4-R Battery Tools, p. 72 & 73
 HX23 Pneumatic Tool, p. 74
 EHCY Electric Hydraulic Tool, p. 76

MS17143-1 to -10, Sizes 22 to 10



Similar Terminal Shown

TYPE: Class 1 Insulated Terminals, Rectangular Tongue
INSULATION: Nylon, UL 94V-2
TERMINAL BODY & SLEEVE: Copper, ASTM B-152
PLATING: Tin, ASTM B-545
MAX TEMP RATING: 105° C

Tool Selection Guide*

| TERMINAL SPECS | | | | | | DMC TOOL/DIE OPTIONS | | | | |
|----------------|--------------|------------------------------|--------------|-----------------------------|----|--------------------------|--------------------------|--------------------|--------------------------|-------------------------|
| AWG | WIRE SIZE MM | INSULATION DIAMETER IN. (MM) | SLEEVE COLOR | TERMINAL/SPLICE PART NUMBER | | HX4 SERIES MIL APPROVED* | HX3 SERIES MIL APPROVED* | MIL APPROVED TOOL* | HX4 SERIES SINGLE CAVITY | HX4 SERIES MULTI CAVITY |
| #22-18 | 0.26-0.96 | .140 (3.56) | Red | MS 17143 | 1 | Y501 Die | X511 Die | M22520/40-01 | Y672 Die | Y1060 Die |
| #16-14 | 1.04 - 2.62 | .170 (4.32) | Blue | MS 17143 | 2 | Y501 Die | X511 Die | M22520/40-01 | Y671 Die | Y1060 Die |
| #12-10 | 2.62 - 6.64 | .230 (5.84) | Yellow | MS 17143 | 3 | Y501 Die | X515 Die | -- | Y670 Die | -- |
| #22-18 | 0.26-0.96 | .140 (3.56) | Red | MS 17143 | 4 | Y501 Die | X511 Die | M22520/40-01 | Y672 Die | Y1060 Die |
| #16-14 | 1.04 - 2.62 | .170 (4.32) | Blue | MS 17143 | 5 | Y501 Die | X511 Die | M22520/40-01 | Y671 Die | Y1060 Die |
| #12-10 | 2.62 - 6.64 | .230 (5.84) | Yellow | MS 17143 | 6 | Y501 Die | X515 Die | -- | Y670 Die | -- |
| #22-18 | 0.26-0.96 | .140 (3.56) | Red | MS 17143 | 7 | Y501 Die | X511 Die | M22520/40-01 | Y672 Die | Y1060 Die |
| #16-14 | 1.04 - 2.62 | .170 (4.32) | Blue | MS 17143 | 8 | Y501 Die | X511 Die | M22520/40-01 | Y671 Die | Y1060 Die |
| #12-10 | 2.62 - 6.64 | .230 (5.84) | Yellow | MS 17143 | 9 | Y501 Die | X515 Die | -- | Y670 Die | -- |
| #22-18 | 0.26-0.96 | .140 (3.56) | Red | MS 17143 | 10 | Y501 Die | X511 Die | M22520/40-01 | Y672 Die | Y1060 Die |

* If MIL Approval is required, QPL status should be verified. Consult DMC for current status.

Terminal Manufacturers' Part Numbers

| TERMINAL SPECS | | | | TERMINAL MANUFACTURERS' TERMINAL # | | | | | |
|----------------|--------------|-----------------------------|----|------------------------------------|---------------|----------|---------|--------------|------------|
| AWG | SLEEVE COLOR | TERMINAL/SPLICE PART NUMBER | | FCI BURNDY | HOLLINGSWORTH | MOLEX | PANDUIT | THOMAS&BETTS | TYCO ELEC |
| #22-18 | Red | MS 17143 | 1 | -- | -- | AA-880-1 | -- | RA 480 | 327932 |
| #16-14 | Blue | MS 17143 | 2 | -- | -- | BB-880-2 | -- | RB 480 | 2-327934-2 |
| #12-10 | Yellow | MS 17143 | 3 | -- | -- | -- | -- | RC 480 | 327936 |
| #22-18 | Red | MS 17143 | 4 | -- | -- | AA-881-1 | -- | RA 481 | 2-327938-1 |
| #16-14 | Blue | MS 17143 | 5 | -- | -- | BB-881-2 | -- | RB 481 | 2-327940-4 |
| #12-10 | Yellow | MS 17143 | 6 | -- | -- | -- | -- | RC 481 | 327942 |
| #22-18 | Red | MS 17143 | 7 | -- | -- | AA-882-1 | -- | RA 482 | 327944 |
| #16-14 | Blue | MS 17143 | 8 | -- | -- | BB-882-2 | -- | RB 482 | 2-327946-4 |
| #12-10 | Yellow | MS 17143 | 9 | -- | -- | -- | -- | RC 482 | 327948 |
| #22-18 | Red | MS 17143 | 10 | -- | -- | AA-883-1 | -- | RA 483 | 2-327950-1 |

NOTE: Component manufactures' instructions shall take precedence over the information presented in these charts. Wire ranges are for reference only.

HX4 TOOL SERIES OPTIONS FOR Y-DIES

HX4 Hand Tools, p. 70 & 75
 HXE4B, HXE4-R Battery Tools, p. 72 & 73
 HX23 Pneumatic Tool, p. 74
 EHCY Electric Hydraulic Tool, p. 76

HX3 TOOL SERIES OPTIONS FOR X-DIES

HX3 Hand Tools, p. 70 & 75
 PHX3 Pneumatic Tool, p. 75



MS17143-11 to -21, Sizes 22 to 10

TYPE: Class 1 Insulated Terminals, Rectangular Tongue
INSULATION: Nylon, UL 94V-2
TERMINAL BODY & SLEEVE: Copper, ASTM B-152
PLATING: Tin, ASTM B-545
MAX TEMP RATING: 105° C

Similar Terminal Shown

Tool Selection Guide*

| TERMINAL SPECS | | | | | | DMC TOOL/DIE OPTIONS | | | | |
|----------------|--------------|------------------------------|--------------|-----------------------------|----|--------------------------|--------------------------|--------------------|--------------------------|-------------------------|
| AWG | WIRE SIZE MM | INSULATION DIAMETER IN. (MM) | SLEEVE COLOR | TERMINAL/SPLICE PART NUMBER | | HX4 SERIES MIL APPROVED* | HX3 SERIES MIL APPROVED* | MIL APPROVED TOOL* | HX4 SERIES SINGLE CAVITY | HX4 SERIES MULTI CAVITY |
| #16-14 | 1.04 - 2.62 | .170 (4.32) | Blue | MS 17143 | 11 | Y501 Die | X511 Die | M22520/40-01 | Y671 Die | Y1060 Die |
| #12-10 | 2.62 - 6.64 | .230 (5.84) | Yellow | MS 17143 | 12 | Y501 Die | X515 Die | -- | Y670 Die | -- |
| #22-18 | 0.26-0.96 | .140 (3.56) | Red | MS 17143 | 13 | Y501 Die | X511 Die | M22520/40-01 | Y672 Die | Y1060 Die |
| #16-14 | 1.04 - 2.62 | .170 (4.32) | Blue | MS 17143 | 14 | Y501 Die | X511 Die | M22520/40-01 | Y671 Die | Y1060 Die |
| #12-10 | 2.62 - 6.64 | .230 (5.84) | Yellow | MS 17143 | 15 | Y501 Die | X515 Die | -- | Y670 Die | -- |
| #22-18 | 0.26-0.96 | .140 (3.56) | Red | MS 17143 | 16 | Y501 Die | X511 Die | M22520/40-01 | Y672 Die | Y1060 Die |
| #16-14 | 1.04 - 2.62 | .170 (4.32) | Blue | MS 17143 | 17 | Y501 Die | X511 Die | M22520/40-01 | Y671 Die | Y1060 Die |
| #12-10 | 2.62 - 6.64 | .230 (5.84) | Yellow | MS 17143 | 18 | Y501 Die | X515 Die | -- | Y670 Die | -- |
| #22-18 | 0.26-0.96 | .140 (3.56) | Red | MS 17143 | 19 | Y501 Die | X511 Die | M22520/40-01 | Y672 Die | Y1060 Die |
| #16-14 | 1.04 - 2.62 | .170 (4.32) | Blue | MS 17143 | 20 | Y501 Die | X511 Die | M22520/40-01 | Y671 Die | Y1060 Die |
| #12-10 | 2.62 - 6.64 | .230 (5.84) | Yellow | MS 17143 | 21 | Y501 Die | X515 Die | -- | Y670 Die | -- |

* If MIL Approval is required, QPL status should be verified. Consult DMC for current status.

Terminal Manufacturers' Part Numbers

| TERMINAL SPECS | | | | TERMINAL MANUFACTURERS' TERMINAL # | | | | | |
|----------------|--------------|-----------------------------|----|------------------------------------|---------------|----------|---------|--------------|------------|
| AWG | SLEEVE COLOR | TERMINAL/SPLICE PART NUMBER | | FCI BURNDY | HOLLINGSWORTH | MOLEX | PANDUIT | THOMAS&BETTS | TYCO ELEC |
| #16-14 | Blue | MS 17143 | 11 | -- | -- | BB-883-2 | -- | RB 483 | 2-327952-2 |
| #12-10 | Yellow | MS 17143 | 12 | -- | -- | -- | -- | RC 483 | 327954 |
| #22-18 | Red | MS 17143 | 13 | -- | -- | AA-884-1 | -- | RA 484 | 2-327956-1 |
| #16-14 | Blue | MS 17143 | 14 | -- | -- | BB-884-2 | -- | RB 484 | 2-327958-4 |
| #12-10 | Yellow | MS 17143 | 15 | -- | -- | -- | -- | RC 484 | 2-327960-1 |
| #22-18 | Red | MS 17143 | 16 | -- | -- | AA-885-1 | -- | RA 485 | 327962 |
| #16-14 | Blue | MS 17143 | 17 | -- | -- | BB-885-2 | -- | RB 485 | 2-327964-4 |
| #12-10 | Yellow | MS 17143 | 18 | -- | -- | - | -- | RC 485 | 327966 |
| #22-18 | Red | MS 17143 | 19 | -- | -- | AA-886-1 | -- | RA 486 | 2-327968-1 |
| #16-14 | Blue | MS 17143 | 20 | -- | -- | BB-886-2 | -- | RB 486 | 2-327970-4 |
| #12-10 | Yellow | MS 17143 | 21 | -- | -- | -- | -- | RC 486 | 327972 |

NOTE: Component manufactures' instructions shall take precedence over the information presented in these charts. Wire ranges are for reference only.

HX4 TOOL SERIES OPTIONS FOR Y-DIES

HX4 Hand Tools, p. 70 & 75
 HXE4B, HXE4-R Battery Tools, p. 72 & 73
 HX23 Pneumatic Tool, p. 74
 EHCY Electric Hydraulic Tool, p. 76

HX3 TOOL SERIES OPTIONS FOR X-DIES

HX3 Hand Tools, p. 70 & 75
 PHX3 Pneumatic Tool, p. 75

MS20659-101 TO -106, SIZES 22 TO 10



Similar Terminal Shown

TYPE: Class 1 Uninsulated Terminals, Ring Tongue
INSULATION: None
TERMINAL BODY & SLEEVE: Copper, ASTM B-152
PLATING: Tin, ASTM B-545
MAX TEMP RATING: 175° C

Tool Selection Guide*

| TERMINAL SPECS | | | | | DMC TOOL/DIE OPTIONS | | | | | |
|----------------|--------------|------------------------------|--------------|-----------------------------|------------------------------------|-------------------------------------|----------------------------|-----------------------------|-------------|---------------|
| AWG | WIRE SIZE MM | INSULATION DIAMETER IN. (MM) | SLEEVE COLOR | TERMINAL/SPLICE PART NUMBER | HX4 SERIES MULTI CAVITY (1 INDENT) | HX4 SERIES MULTI CAVITY (2 INDENTS) | GMT SERIES TOOL (1 INDENT) | GMT SERIES TOOL (2 INDENTS) | DCT4 SERIES | |
| #22-18 | 0.26-0.96 | N/A | N/A | MS20659- | 101 | Y554 Die | Y788 Die | GMT277 | GMT1005 | DCT4-105D Die |
| | | | | | 102 | Y554 Die | Y788 Die | GMT277 | GMT1005 | DCT4-105D Die |
| #16-14 | 1.04 - 2.62 | N/A | N/A | MS20659- | 103 | Y554 Die | Y788 Die | GMT277 | GMT1005 | DCT4-105D Die |
| | | | | | 104 | Y554 Die | Y788 Die | GMT277 | GMT1005 | DCT4-105D Die |
| #12-10 | 2.62 - 6.64 | N/A | N/A | MS20659- | 105 | Y554 Die | Y788 Die | GMT277 | GMT1005 | DCT4-105D Die |
| | | | | | 106 | Y554 Die | Y788 Die | GMT277 | GMT1005 | DCT4-105D Die |

* If MIL Approval is required, QPL status should be verified. Consult DMC for current status.

Terminal Manufacturers' Part Numbers

| TERMINAL SPECS | | | TERMINAL MANUFACTURERS' TERMINAL # | | | | | | |
|----------------|--------------|-----------------------------|------------------------------------|---------------|--------|----------|--------------|-----------|-------|
| AWG | SLEEVE COLOR | TERMINAL/SPLICE PART NUMBER | BURNDY | HOLLINGSWORTH | MOLEX | PANDUIT | THOMAS&BETTS | TYCO ELEC | |
| #22-18 | N/A | MS20659- | 101 | -- | -- | -- | -- | A85G | -- |
| | | | 102 | -- | -- | -- | -- | A87G | -- |
| #16-14 | N/A | MS20659- | 103 | -- | -- | -- | -- | B85G | -- |
| | | | 104 | -- | -- | -- | -- | B87G | -- |
| #12-10 | N/A | MS20659- | 105 | YAV10 | R3457B | C-328-10 | P10-10R | C26 | 33457 |
| | | | 106 | YAV10-T2 | R3459B | C-330-56 | P10-56R | C70 | 33459 |

NOTE: Component manufactures' and OEM instructions shall take precedence over the information presented in these charts. Wire ranges are for reference only.

GMT TOOL SERIES OPTIONS

GMTxxx Hand Tool, p. 102
 GMTEBxxx Battery Tool, p. 104
 GMTExxx-R Battery Tool, p. 105

HX4 TOOL SERIES OPTIONS FOR Y-DIES

HX4 Hand Tools, p. 70 & 75
 HXE4B, HXE4-R Battery Tools, p. 72 & 73
 HX23 Pneumatic Tool, p. 74
 EHCY Electric Hydraulic Tool, p. 76

DCT TOOL SERIES OPTIONS

DCT4 Hand Tool, p. 106
 DCTE4B Battery Tool, p. 106



Similar Terminal Shown

MS20659-107 TO -116, SIZES 8 TO 1

TYPE: Class 1 Uninsulated Terminals, Ring Tongue
INSULATION: None
TERMINAL BODY & SLEEVE: Copper, ASTM B-152
PLATING: Tin, ASTM B-545
MAX TEMP RATING: 175° C

Tool Selection Guide*

| TERMINAL SPECS | | | | | DMC TOOL/DIE OPTIONS | | | |
|----------------|--------------|------------------------------|--------------|-----------------------------|--------------------------|-------------|---------------|---------------|
| AWG | WIRE SIZE MM | INSULATION DIAMETER IN. (MM) | SLEEVE COLOR | TERMINAL/SPLICE PART NUMBER | HD485 DIES MIL APPROVED* | HD51 SERIES | HD36 SERIES | |
| #8 | 6.64 - 10.5 | N/A | N/A | MS20659- | 107 | HD485-8 Die | HD51-118N Die | HD36-111N Die |
| | | | | | 108 | HD485-8 Die | HD51-118N Die | HD36-111N Die |
| #6 | 10.5 - 16.8 | N/A | N/A | MS20659- | 109 | HD485-6 Die | HD51-119N Die | HD36-112N Die |
| | | | | | 110 | HD485-6 Die | HD51-119N Die | HD36-112N Die |
| #4 | 16.8 - 26.7 | N/A | N/A | MS20659- | 111 | HD485-4 Die | HD51-120N Die | HD36-113N Die |
| | | | | | 112 | HD485-4 Die | HD51-120N Die | HD36-113N Die |
| #2 | 26.7 - 42.4 | N/A | N/A | MS20659- | 113 | HD485-2 Die | HD51-121N Die | HD36-114N Die |
| | | | | | 114 | HD485-2 Die | HD51-121N Die | HD36-114N Die |
| #1 | 40.0-42.0 | N/A | N/A | MS20659- | 115 | HD485-1 Die | -- | -- |
| | | | | | 116 | HD485-1 Die | -- | -- |

* If MIL Approval is required, QPL status should be verified. Consult DMC for current status.

Terminal Manufacturers' Part Numbers

| TERMINAL SPECS | | | TERMINAL MANUFACTURERS' TERMINAL # | | | | | | |
|----------------|--------------|-----------------------------|------------------------------------|---------------|-------|---------|--------------|-----------|--|
| AWG | SLEEVE COLOR | TERMINAL/SPLICE PART NUMBER | BURNDY | HOLLINGSWORTH | MOLEX | PANDUIT | THOMAS&BETTS | TYCO ELEC | |
| #8 | N/A | MS20659- | 107 | YAV8C-L | -- | -- | D10361 | -- | |
| | | | 108 | YAV8C-L2 | -- | -- | D10721 | -- | |
| #6 | N/A | MS20659- | 109 | YAV6C-L | -- | -- | E10711 | -- | |
| | | | 110 | YAV6C-L2 | -- | -- | E10731 | -- | |
| #4 | N/A | MS20659- | 111 | YAV4C-L | -- | -- | F10711 | -- | |
| | | | 112 | YAV4C-L2 | -- | -- | F10731 | -- | |
| #2 | N/A | MS20659- | 113 | YAV2C-L1 | -- | -- | G971 | -- | |
| | | | 114 | YAV2C-L | -- | -- | G973 | -- | |
| #1 | N/A | MS20659- | 115 | YAV1C-L1 | -- | -- | H971 | -- | |
| | | | 116 | YAV1C-L | -- | -- | H973 | -- | |

NOTE: Component manufactures' and OEM instructions shall take precedence over the information presented in these charts. Wire ranges are for reference only.

HD485 TOOL OPTIONS

HH80C Hand Tool, p. 114
 TBHD1M Pneumatic Tool, p. 114

HD36 TOOL SERIES OPTIONS

HD36 Hand Tool, p. 109
 HDE36B Battery Tool, p. 110
 EHCD36 Electric Hydraulic Tool, p. 111

HD51 TOOL SERIES OPTIONS

HD51 Hand Tool, p. 112
 XHD51 Pneumatic Tool, p. 112



Similar Terminal Shown

MS20659-117 TO -124, SIZES 1/0 TO 4/0

TYPE: Class 1 Uninsulated Terminals, Ring Tongue
INSULATION: None
TERMINAL BODY & SLEEVE: Copper, ASTM B-152
PLATING: Tin, ASTM B-545
MAX TEMP RATING: 175° C

Tool Selection Guide*

| TERMINAL SPECS | | | | | DMC TOOL/DIE OPTIONS | | |
|----------------|--------------|------------------------------|--------------|-----------------------------|--------------------------|--------------|---------------|
| AWG | WIRE SIZE MM | INSULATION DIAMETER IN. (MM) | SLEEVE COLOR | TERMINAL/SPLICE PART NUMBER | HD485 DIES MIL APPROVED* | HD51 SERIES | |
| #1/0 | 42.4-60.6 | N/A | N/A | MS20659- | 117 | HD485-01 Die | HD51-123N Die |
| | | | | | 118 | HD485-01 Die | HD51-123N Die |
| #2/0 | 60.6-76.3 | N/A | N/A | MS20659- | 119 | HD485-02 Die | HD51-124N Die |
| | | | | | 120 | HD485-02 Die | HD51-124N Die |
| #3/0 | 76.3-96.3 | N/A | N/A | MS20659- | 121 | HD485-03 Die | -- |
| | | | | | 122 | HD485-03 Die | -- |
| #4/0 | 96.3-117 | N/A | N/A | MS20659- | 123 | HD485-04 Die | -- |
| | | | | | 124 | HD485-04 Die | -- |

* If MIL Approval is required, QPL status should be verified. Consult DMC for current status.

Terminal Manufacturers' Part Numbers

| TERMINAL SPECS | | | TERMINAL MANUFACTURERS' TERMINAL # | | | | | | |
|----------------|--------------|-----------------------------|------------------------------------|---------------|-------|---------|--------------|-----------|--|
| AWG | SLEEVE COLOR | TERMINAL/SPLICE PART NUMBER | BURNDY | HOLLINGSWORTH | MOLEX | PANDUIT | THOMAS&BETTS | TYCO ELEC | |
| #1/0 | N/A | MS20659- | 117 | YAV25-L1 | -- | -- | J971 | -- | |
| | | | 118 | YAV25-L | -- | -- | J973 | -- | |
| #2/0 | N/A | MS20659- | 119 | YAV26-L2 | -- | -- | K972 | -- | |
| | | | 120 | YAV26-L | -- | -- | K973 | -- | |
| #3/0 | N/A | MS20659- | 121 | YAV27-L | -- | -- | L973 | -- | |
| | | | 122 | YAV27-L1 | -- | -- | L975 | -- | |
| #4/0 | N/A | MS20659- | 123 | YAV28-L | -- | -- | M973 | -- | |
| | | | 124 | YAV28-L12 | -- | -- | M975 | -- | |

NOTE: Component manufactures' and OEM instructions shall take precedence over the information presented in these charts. Wire ranges are for reference only.

HD485 TOOL OPTIONS

HH80C Hand Tool, p. 114
 TBHD1M Pneumatic Tool, p. 114

HD51 TOOL SERIES OPTIONS

HD51 Hand Tool, p. 112
 XHD51 Pneumatic Tool, p. 112



Similar Terminal Shown

MS20659-125 TO -128, SIZES 22 TO 10

TYPE: Class 1 Uninsulated Terminals, Ring Tongue
INSULATION: None
TERMINAL BODY & SLEEVE: Copper, ASTM B-152
PLATING: Tin, ASTM B-545
MAX TEMP RATING: 175° C

Tool Selection Guide*

| TERMINAL SPECS | | | | | DMC TOOL/DIE OPTIONS | | | | | |
|----------------|--------------|------------------------------|--------------|-----------------------------|----------------------|------------------------------------|-------------------------------------|----------------------------|-----------------------------|---------------|
| AWG | WIRE SIZE MM | INSULATION DIAMETER IN. (MM) | SLEEVE COLOR | TERMINAL/SPLICE PART NUMBER | | HX4 SERIES MULTI CAVITY (1 INDENT) | HX4 SERIES MULTI CAVITY (2 INDENTS) | GMT SERIES TOOL (1 INDENT) | GMT SERIES TOOL (2 INDENTS) | DCT4 SERIES |
| #22-18 | 0.26 - 0.96 | N/A | N/A | MS20659- | 125 | Y554 Die | Y788 Die | GMT277 | GMT1005 | DCT4-105D Die |
| #16-14 | 1.04 - 2.62 | N/A | N/A | MS20659- | 126 | Y554 Die | Y788 Die | GMT277 | GMT1005 | DCT4-105D Die |
| | | | | | 127 | Y554 Die | Y788 Die | GMT277 | GMT1005 | DCT4-105D Die |
| #12-10 | 2.62 - 6.64 | N/A | N/A | MS20659- | 128 | Y554 Die | Y788 Die | GMT277 | GMT1005 | DCT4-105D Die |

* If MIL Approval is required, QPL status should be verified. Consult DMC for current status.

Terminal Manufacturers' Part Numbers

| TERMINAL SPECS | | | | TERMINAL MANUFACTURERS' TERMINAL # | | | | | |
|----------------|--------------|-----------------------------|-----|------------------------------------|---------------|----------|---------|--------------|-----------|
| AWG | SLEEVE COLOR | TERMINAL/SPLICE PART NUMBER | | BURNDY | HOLLINGSWORTH | MOLEX | PANDUIT | THOMAS&BETTS | TYCO ELEC |
| #22-18 | N/A | MS20659- | 125 | -- | -- | -- | -- | -- | -- |
| #16-14 | N/A | MS20659- | 126 | -- | -- | -- | -- | -- | -- |
| | | MS20659- | 127 | -- | -- | -- | -- | -- | -- |
| #12-10 | N/A | MS20659- | 128 | YAV10-T4 | R3220B | C-340-38 | P10-38R | C73 | 33220 |

NOTE: Component manufactures' and OEM instructions shall take precedence over the information presented in these charts. Wire ranges are for reference only.

GMT TOOL SERIES OPTIONS

GMTxxx Hand Tool, p. 102
 GMTEBxxx Battery Tool, p. 104
 GMTExxx-R Battery Tool, p. 105

HX4 TOOL SERIES OPTIONS FOR Y-DIES

HX4 Hand Tools, p. 70 & 75
 HXE4B, HXE4-R Battery Tools, p. 72 & 73
 HX23 Pneumatic Tool, p. 74
 EHCY Electric Hydraulic Tool, p. 76

DCT TOOL SERIES OPTIONS

DCT4 Hand Tool, p. 106
 DCTE4B Battery Tool, p. 106



Similar Terminal Shown

MS20659-129 TO -134, SIZES 6 TO 1

TYPE: Class 1 Uninsulated Terminals, Ring Tongue
INSULATION: None
TERMINAL BODY & SLEEVE: Copper, ASTM B-152
PLATING: Tin, ASTM B-545
MAX TEMP RATING: 175° C

Tool Selection Guide*

| TERMINAL SPECS | | | | | | DMC TOOL/DIE OPTIONS | | | |
|----------------|--------------|------------------------------|--------------|-----------------------------|-----|--------------------------|---------------|---------------|------------|
| AWG | WIRE SIZE MM | INSULATION DIAMETER IN. (MM) | SLEEVE COLOR | TERMINAL/SPLICE PART NUMBER | | HD485 DIES MIL APPROVED* | HD51 SERIES | HD36 SERIES | HX4 SERIES |
| #8 | 6.64 - 10.5 | N/A | N/A | MS20659- | 129 | HD485-8 Die | HD51-118N Die | HD36-111N Die | Y845HN Die |
| #6 | 10.5 - 16.8 | N/A | N/A | MS20659- | 130 | HD485-6 Die | HD51-119N Die | HD36-112N Die | Y847HN Die |
| | | | | | 131 | HD485-6 Die | HD51-119N Die | HD36-112N Die | Y847HN Die |
| #4 | 16.8 - 26.7 | N/A | N/A | MS20659- | 132 | HD485-4 Die | HD51-120N Die | HD36-113N Die | -- |
| #2 | 26.7 - 42.4 | N/A | N/A | MS20659- | 133 | HD485-4 Die | HD51-120N Die | HD36-113N Die | -- |
| #1 | 40.0-42.0 | N/A | N/A | MS20659- | 134 | HD485-1 Die | -- | -- | -- |

* If MIL Approval is required, QPL status should be verified. Consult DMC for current status.

Terminal Manufacturers' Part Numbers

| TERMINAL SPECS | | | | TERMINAL MANUFACTURERS' TERMINAL # | | | | | |
|----------------|--------------|-----------------------------|-----|------------------------------------|---------------|-------|---------|--------------|-----------|
| AWG | SLEEVE COLOR | TERMINAL/SPLICE PART NUMBER | | BURNDY | HOLLINGSWORTH | MOLEX | PANDUIT | THOMAS&BETTS | TYCO ELEC |
| #8 | N/A | MS20659- | 129 | YAV8C-L3 | -- | -- | -- | D10731 | -- |
| #6 | N/A | MS20659- | 130 | YAV6C-L1 | -- | -- | -- | E10261 | -- |
| #6 | N/A | MS20659- | 131 | YAV6C-L4 | -- | -- | -- | E10721 | -- |
| #4 | N/A | MS20659- | 132 | YAV4C-L4 | -- | -- | -- | F10721 | -- |
| #2 | N/A | MS20659- | 133 | YAV2C-L4 | -- | -- | -- | G975 | -- |
| #1 | N/A | MS20659- | 134 | YAV1C-L4 | -- | -- | -- | H975 | -- |

NOTE: Component manufactures' and OEM instructions shall take precedence over the information presented in these charts. Wire ranges are for reference only.

HD485 TOOL OPTIONS

HH80C Hand Tool, p. 114
 TBHD1M Pneumatic Tool, p. 114

HX4 TOOL SERIES OPTIONS FOR Y-DIES

HD37 Hand Tool, p. 108
 HDE37B Battery Tool, p. 108
 HX23 Pneumatic Tool, p. 74
 EHCY Electric Hydraulic Tool, p. 76

HD36 TOOL SERIES OPTIONS

HD36 Hand Tool, p. 109
 HDE36B Battery Tool, p. 110
 EHCD36 Electric Hydraulic Tool, p. 111

HD51 TOOL SERIES OPTIONS

HD51 Hand Tool, p. 112
 XHD51 Pneumatic Tool, p. 112



Similar Terminal Shown

MS20659-135 TO -137, SIZES 1/0 TO 4/0

TYPE: Class 1 Uninsulated Terminals, Ring Tongue
INSULATION: None
TERMINAL BODY & SLEEVE: Copper, ASTM B-152
PLATING: Tin, ASTM B-545
MAX TEMP RATING: 175° C

Tool Selection Guide*

| TERMINAL SPECS | | | | | DMC TOOL/DIE OPTIONS | | |
|----------------|--------------|------------------------------|--------------|-----------------------------|----------------------|--------------------------|---------------|
| AWG | WIRE SIZE MM | INSULATION DIAMETER IN. (MM) | SLEEVE COLOR | TERMINAL/SPLICE PART NUMBER | | HD485 DIES MIL APPROVED* | HD51 SERIES |
| #1/0 | 42.4-60.6 | N/A | N/A | MS20659- | 135 | HD485-01 Die | HD51-123N Die |
| #2/0 | 60.6-76.3 | N/A | N/A | MS20659- | 136 | HD485-02 Die | HD51-124N Die |
| #4/0 | 96.3-117 | N/A | N/A | MS20659- | 137 | HD485-04 Die | -- |

* If MIL Approval is required, QPL status should be verified. Consult DMC for current status.

Terminal Manufacturers' Part Numbers

| TERMINAL SPECS | | | | TERMINAL MANUFACTURERS' TERMINAL # | | | | | |
|----------------|--------------|-----------------------------|-----|------------------------------------|---------------|-------|---------|--------------|-----------|
| AWG | SLEEVE COLOR | TERMINAL/SPLICE PART NUMBER | | BURNDY | HOLLINGSWORTH | MOLEX | PANDUIT | THOMAS&BETTS | TYCO ELEC |
| #1/0 | N/A | MS20659- | 135 | YAV25-L3 | -- | -- | -- | J975 | -- |
| #2/0 | N/A | MS20659- | 136 | YAV26-L3 | -- | -- | -- | K975 | -- |
| #4/0 | N/A | MS20659- | 137 | YAV28-L54 | -- | -- | -- | -- | -- |

NOTE: Component manufactures' and OEM instructions shall take precedence over the information presented in these charts. Wire ranges are for reference only.

HD485 TOOL OPTIONS

HH80C Hand Tool, p. 114
 TBHD1M Pneumatic Tool, p. 114

HD51 TOOL SERIES OPTIONS

HD51 Hand Tool, p. 112
 XHD51 Pneumatic Tool, p. 112



Similar Terminal Shown

MS20659-140 TO -150, SIZES 8 TO 1

TYPE: Class 1 Uninsulated Terminals, Ring Tongue
INSULATION: None
TERMINAL BODY & SLEEVE: Copper, ASTM B-152
PLATING: Tin, ASTM B-545
MAX TEMP RATING: 175° C

Tool Selection Guide*

| TERMINAL SPECS | | | | | DMC TOOL/DIE OPTIONS | | | | |
|----------------|--------------|------------------------------|--------------|-----------------------------|--------------------------|-------------|---------------|---------------|------------|
| AWG | WIRE SIZE MM | INSULATION DIAMETER IN. (MM) | SLEEVE COLOR | TERMINAL/SPLICE PART NUMBER | HD485 DIES MIL APPROVED* | HD51 SERIES | HD36 SERIES | HX4 SERIES | |
| #8 | 6.64 - 10.5 | N/A | N/A | MS20659- | 140 | HD485-8 Die | HD51-118N Die | HD36-111N Die | Y845HN Die |
| | | | | | 141 | HD485-8 Die | HD51-118N Die | HD36-111N Die | Y845HN Die |
| | | | | | 142 | HD485-8 Die | HD51-118N Die | HD36-111N Die | Y845HN Die |
| #6 | 10.5 - 16.8 | N/A | N/A | MS20659- | 143 | HD485-6 Die | HD51-119N Die | HD36-112N Die | Y847HN Die |
| #4 | 16.8 -26.7 | N/A | N/A | MS20659- | 144 | HD485-4 Die | HD51-120N Die | HD36-113N Die | -- |
| | | | | | 145 | HD485-4 Die | HD51-120N Die | HD36-113N Die | -- |
| #2 | 26.7 - 42.4 | N/A | N/A | MS20659- | 146 | HD485-2 Die | HD51-121N Die | HD36-114N Die | -- |
| | | | | | 147 | HD485-2 Die | HD51-121N Die | HD36-114N Die | -- |
| | | | | | 148 | HD485-2 Die | HD51-121N Die | HD36-114N Die | -- |
| #1 | 40.0-42.0 | N/A | N/A | MS20659- | 149 | HD485-1 Die | -- | -- | -- |
| | | | | | 150 | HD485-1 Die | -- | -- | -- |

* If MIL Approval is required, QPL status should be verified. Consult DMC for current status.

Terminal Manufacturers' Part Numbers

| TERMINAL SPECS | | | TERMINAL MANUFACTURERS' TERMINAL # | | | | | | |
|----------------|--------------|-----------------------------|------------------------------------|---------------|-------|---------|--------------|-----------|----|
| AWG | SLEEVE COLOR | TERMINAL/SPLICE PART NUMBER | BURNDY | HOLLINGSWORTH | MOLEX | PANDUIT | THOMAS&BETTS | TYCO ELEC | |
| #8 | N/A | MS20659- | 140 | YAV8C-L14 | -- | -- | -- | D10161 | -- |
| | | | 141 | YAV8C-L1 | -- | -- | -- | D10711 | -- |
| | | | 142 | YAV8C-L4 | -- | -- | -- | -- | -- |
| #6 | N/A | MS20659- | 143 | YAV6C-L10 | -- | -- | -- | -- | |
| #4 | N/A | MS20659- | 144 | YAV4C-L3 | -- | -- | -- | F10261 | -- |
| | | | 145 | YAV4C-L5 | -- | -- | -- | -- | -- |
| #2 | N/A | MS20659- | 146 | YAV2C-L3 | -- | -- | -- | G926 | -- |
| | | | 147 | YAV2C-L2 | -- | -- | -- | G972 | -- |
| | | | 148 | YAV2C-L11 | -- | -- | -- | G974 | -- |
| #1 | N/A | MS20659- | 149 | YAV1C-L2 | -- | -- | -- | H972 | -- |
| | | | 150 | YAV1C-L4 | -- | -- | -- | H974 | -- |

NOTE: Component manufactures' and OEM instructions shall take precedence over the information presented in these charts. Wire ranges are for reference only.

HD485 TOOL OPTIONS

HH80C Hand Tool, p. 114
 TBHD1M Pneumatic Tool, p. 114

HX4 TOOL SERIES OPTIONS FOR Y-DIES

HD37 Hand Tool, p. 108
 HDE37B Battery Tool, p. 108
 HX23 Pneumatic Tool, p. 74
 EHCY Electric Hydraulic Tool, p. 76

HD36 TOOL SERIES OPTIONS

HD36 Hand Tool, p. 109
 HDE36B Battery Tool, p. 110
 EHC36 Electric Hydraulic Tool, p. 111

HD51 TOOL SERIES OPTIONS

HD51 Hand Tool, p. 112
 XHD51 Pneumatic Tool, p. 112



Similar Terminal Shown

MS20659-151 TO -160, SIZES 1/0 TO 4/0

TYPE: Class 1 Uninsulated Terminals, Ring Tongue
INSULATION: None
TERMINAL BODY & SLEEVE: Copper, ASTM B-152
PLATING: Tin, ASTM B-545
MAX TEMP RATING: 175° C

Tool Selection Guide*

| TERMINAL SPECS | | | | | DMC TOOL/DIE OPTIONS | | |
|----------------|--------------|------------------------------|--------------|-----------------------------|--------------------------|--------------|---------------|
| AWG | WIRE SIZE MM | INSULATION DIAMETER IN. (MM) | SLEEVE COLOR | TERMINAL/SPLICE PART NUMBER | HD485 DIES MIL APPROVED* | HD51 SERIES | |
| #1/0 | 42.4-60.6 | N/A | N/A | MS20659- | 151 | HD485-01 Die | HD51-123N Die |
| | | | | | 152 | HD485-01 Die | HD51-123N Die |
| #2/0 | 60.6-76.3 | N/A | N/A | MS20659- | 153 | HD485-02 Die | HD51-124N Die |
| | | | | | 154 | HD485-02 Die | HD51-124N Die |
| #3/0 | 76.3-96.3 | N/A | N/A | MS20659- | 155 | HD485-03 Die | -- |
| | | | | | 156 | HD485-03 Die | -- |
| #4/0 | 96.3-117 | N/A | N/A | MS20659- | 157 | HD485-04 Die | -- |
| | | | | | 158 | HD485-04 Die | -- |
| | | | | | 159 | HD485-04 Die | -- |
| | | | | | 160 | HD485-04 Die | -- |

* If MIL Approval is required, QPL status should be verified. Consult DMC for current status.

Terminal Manufacturers' Part Numbers

| TERMINAL SPECS | | | TERMINAL MANUFACTURERS' TERMINAL # | | | | | | |
|----------------|--------------|-----------------------------|------------------------------------|---------------|-------|---------|--------------|-----------|--|
| AWG | SLEEVE COLOR | TERMINAL/SPLICE PART NUMBER | BURNDY | HOLLINGSWORTH | MOLEX | PANDUIT | THOMAS&BETTS | TYCO ELEC | |
| #1/0 | N/A | MS20659- | 151 | YAV25-L2 | -- | -- | J972 | -- | |
| | | | 152 | YAV25-L16 | -- | -- | J974 | -- | |
| #2/0 | N/A | MS20659- | 153 | YAV26-L1 | -- | -- | K971 | -- | |
| | | | 154 | YAV26-L16 | -- | -- | K974 | -- | |
| #3/0 | N/A | MS20659- | 155 | YAV27-L20 | -- | -- | L972 | -- | |
| | | | 156 | YAV27-L18 | -- | -- | L974 | -- | |
| #4/0 | N/A | MS20659- | 157 | YAV1C-L11 | -- | -- | M972 | -- | |
| | | | 158 | YAV28-L56 | -- | -- | M974 | -- | |
| | | | 159 | YAV28-L13 | -- | -- | -- | -- | |
| | | | 160 | YAV28-L14 | -- | -- | -- | -- | |

NOTE: Component manufactures' and OEM instructions shall take precedence over the information presented in these charts. Wire ranges are for reference only.

HD485 TOOL OPTIONS

HH80C Hand Tool, p. 114
 TBHD1M Pneumatic Tool, p. 114

HD51 TOOL SERIES OPTIONS

HD51 Hand Tool, p. 112
 XHD51 Pneumatic Tool, p. 112



Similar Terminal Shown

MS20659-161 TO -166, SIZES 22 TO 10

TYPE: Class 1 Uninsulated Terminals, Ring Tongue
INSULATION: None
TERMINAL BODY & SLEEVE: Copper, ASTM B-152
PLATING: Tin, ASTM B-545
MAX TEMP RATING: 175° C

Tool Selection Guide*

| TERMINAL SPECS | | | | | DMC TOOL/DIE OPTIONS | | | | | |
|----------------|--------------|------------------------------|--------------|-----------------------------|------------------------------------|-------------------------------------|----------------------------|-----------------------------|-------------|---------------|
| AWG | WIRE SIZE MM | INSULATION DIAMETER IN. (MM) | SLEEVE COLOR | TERMINAL/SPLICE PART NUMBER | HX4 SERIES MULTI CAVITY (1 INDENT) | HX4 SERIES MULTI CAVITY (2 INDENTS) | GMT SERIES TOOL (1 INDENT) | GMT SERIES TOOL (2 INDENTS) | DCT4 SERIES | |
| #22-18 | 0.26 - 0.96 | N/A | N/A | MS20659- | 161 | Y554 Die | Y788 Die | GMT277 | GMT1005 | DCT4-105D Die |
| | | | | | 162 | Y554 Die | Y788 Die | GMT277 | GMT1005 | DCT4-105D Die |
| #16-14 | 1.04 - 2.62 | N/A | N/A | MS20659- | 163 | Y554 Die | Y788 Die | GMT277 | GMT1005 | DCT4-105D Die |
| | | | | | 164 | Y554 Die | Y788 Die | GMT277 | GMT1005 | DCT4-105D Die |
| #12-10 | 2.62 - 6.64 | N/A | N/A | MS20659- | 165 | Y554 Die | Y788 Die | GMT277 | GMT1005 | DCT4-105D Die |
| | | | | | 166 | Y554 Die | Y788 Die | GMT277 | GMT1005 | DCT4-105D Die |

* If MIL Approval is required, QPL status should be verified. Consult DMC for current status.

Terminal Manufacturers' Part Numbers

| TERMINAL SPECS | | | | TERMINAL MANUFACTURERS' TERMINAL # | | | | | |
|----------------|--------------|-----------------------------|-----|------------------------------------|---------------|-------|---------|--------------|-----------|
| AWG | SLEEVE COLOR | TERMINAL/SPLICE PART NUMBER | | BURNDY | HOLLINGSWORTH | MOLEX | PANDUIT | THOMAS&BETTS | TYCO ELEC |
| #22-18 | N/A | MS20659- | 161 | -- | -- | -- | -- | -- | -- |
| | | | 162 | -- | -- | -- | -- | -- | -- |
| #16-14 | N/A | MS20659- | 163 | -- | -- | -- | -- | -- | -- |
| | | | 164 | -- | -- | -- | -- | -- | -- |
| #12-10 | N/A | MS20659- | 165 | YAV10-T7 | R3453B | -- | P10-6R | C33 | -- |
| | | | 166 | -- | R3223B | -- | -- | C75 | -- |

NOTE: Component manufactures' and OEM instructions shall take precedence over the information presented in these charts. Wire ranges are for reference only.

GMT TOOL SERIES OPTIONS

GMTxxx Hand Tool, p. 102
 GMTEBxxx Battery Tool, p. 104
 GMTExxx-R Battery Tool, p. 105

HX4 TOOL SERIES OPTIONS FOR Y-DIES

HX4 Hand Tools, p. 70 & 75
 HXE4B, HXE4-R Battery Tools, p. 72 & 73
 HX23 Pneumatic Tool, p. 74
 EHCY Electric Hydraulic Tool, p. 76

DCT TOOL SERIES OPTIONS

DCT4 Hand Tool, p. 106
 DCTE4B Battery Tool, p. 106



Similar Terminal Shown

MS21004-1 TO -7, SIZES 22 TO 18

TYPE: Class 1 Uninsulated Terminals, Rectangular Tongue

INSULATION: None

TERMINAL BODY & SLEEVE: Copper, ASTM B-152

PLATING: Tin, ASTM B-545

MAX TEMP RATING: 175° C

Tool Selection Guide*

| TERMINAL SPECS | | | | | DMC TOOL/DIE OPTIONS | | | | | |
|----------------|--------------|------------------------------|--------------|-----------------------------|------------------------------------|-------------------------------------|----------------------------|-----------------------------|-------------|---------------|
| AWG | WIRE SIZE MM | INSULATION DIAMETER IN. (MM) | SLEEVE COLOR | TERMINAL/SPLICE PART NUMBER | HX4 SERIES MULTI CAVITY (1 INDENT) | HX4 SERIES MULTI CAVITY (2 INDENTS) | GMT SERIES TOOL (1 INDENT) | GMT SERIES TOOL (2 INDENTS) | DCT4 SERIES | |
| #22-18 | 0.26-0.96 | N/A | N/A | MS21004- | 1 | Y554 Die | Y788 Die | GMT277 | GMT1005 | DCT4-105D Die |
| | | | | | 2 | Y554 Die | Y788 Die | GMT277 | GMT1005 | DCT4-105D Die |
| | | | | | 3 | Y554 Die | Y788 Die | GMT277 | GMT1005 | DCT4-105D Die |
| | | | | | 4 | Y554 Die | Y788 Die | GMT277 | GMT1005 | DCT4-105D Die |
| | | | | | 5 | Y554 Die | Y788 Die | GMT277 | GMT1005 | DCT4-105D Die |
| | | | | | 6 | Y554 Die | Y788 Die | GMT277 | GMT1005 | DCT4-105D Die |
| | | | | | 7 | Y554 Die | Y788 Die | GMT277 | GMT1005 | DCT4-105D Die |

* If MIL Approval is required, QPL status should be verified. Consult DMC for current status.

Terminal Manufacturers' Part Numbers

| TERMINAL SPECS | | | TERMINAL MANUFACTURERS' TERMINAL # | | | | | | |
|----------------|--------------|-----------------------------|------------------------------------|---------------|-------|---------|--------------|-----------|----|
| AWG | SLEEVE COLOR | TERMINAL/SPLICE PART NUMBER | BURNDY | HOLLINGSWORTH | MOLEX | PANDUIT | THOMAS&BETTS | TYCO ELEC | |
| #22-18 | N/A | MS21004- | 1 | -- | -- | -- | -- | A486 | -- |
| | | | 2 | -- | -- | -- | -- | A483 | -- |
| | | | 3 | -- | -- | -- | -- | A482 | -- |
| | | | 4 | -- | -- | -- | -- | A481 | -- |
| | | | 5 | -- | -- | -- | -- | A485 | -- |
| | | | 6 | -- | -- | -- | -- | A484 | -- |
| | | | 7 | -- | -- | -- | -- | A480 | -- |

NOTE: Component manufactures' and OEM instructions shall take precedence over the information presented in these charts. Wire ranges are for reference only.

GMT TOOL SERIES OPTIONS

GMTxxx Hand Tool, p. 102
 GMTEBxxx Battery Tool, p. 104
 GMTExxx-R Battery Tool, p. 105

HX4 TOOL SERIES OPTIONS FOR Y-DIES

HX4 Hand Tools, p. 70 & 75
 HXE4B, HXE4-R Battery Tools, p. 72 & 73
 HX23 Pneumatic Tool, p. 74
 EHCY Electric Hydraulic Tool, p. 76

DCT TOOL SERIES OPTIONS

DCT4 Hand Tool, p. 106
 DCTE4B Battery Tool, p. 106



Similar Terminal Shown

MS21004-8 TO -14, SIZES 16 TO 14

TYPE: Class 1 Uninsulated Terminals, Rectangular Tongue

INSULATION: None

TERMINAL BODY & SLEEVE: Copper, ASTM B-152

PLATING: Tin, ASTM B-545

MAX TEMP RATING: 175° C

Tool Selection Guide*

| TERMINAL SPECS | | | | | DMC TOOL/DIE OPTIONS | | | | | |
|----------------|--------------|------------------------------|--------------|-----------------------------|------------------------------------|-------------------------------------|----------------------------|-----------------------------|-------------|---------------|
| AWG | WIRE SIZE MM | INSULATION DIAMETER IN. (MM) | SLEEVE COLOR | TERMINAL/SPLICE PART NUMBER | HX4 SERIES MULTI CAVITY (1 INDENT) | HX4 SERIES MULTI CAVITY (2 INDENTS) | GMT SERIES TOOL (1 INDENT) | GMT SERIES TOOL (2 INDENTS) | DCT4 SERIES | |
| #16-14 | 1.04 - 2.62 | N/A | N/A | MS21004- | 8 | Y554 Die | Y788 Die | GMT277 | GMT1005 | DCT4-105D Die |
| | | | | | 9 | Y554 Die | Y788 Die | GMT277 | GMT1005 | DCT4-105D Die |
| | | | | | 10 | Y554 Die | Y788 Die | GMT277 | GMT1005 | DCT4-105D Die |
| | | | | | 11 | Y554 Die | Y788 Die | GMT277 | GMT1005 | DCT4-105D Die |
| | | | | | 12 | Y554 Die | Y788 Die | GMT277 | GMT1005 | DCT4-105D Die |
| | | | | | 13 | Y554 Die | Y788 Die | GMT277 | GMT1005 | DCT4-105D Die |
| | | | | | 14 | Y554 Die | Y788 Die | GMT277 | GMT1005 | DCT4-105D Die |

* If MIL Approval is required, QPL status should be verified. Consult DMC for current status.

Terminal Manufacturers' Part Numbers

| TERMINAL SPECS | | | TERMINAL MANUFACTURERS' TERMINAL # | | | | | | |
|----------------|--------------|-----------------------------|------------------------------------|---------------|-------|---------|--------------|-----------|----|
| AWG | SLEEVE COLOR | TERMINAL/SPLICE PART NUMBER | BURNDY | HOLLINGSWORTH | MOLEX | PANDUIT | THOMAS&BETTS | TYCO ELEC | |
| #16-14 | N/A | MS21004- | 8 | -- | -- | -- | -- | B486 | -- |
| | | | 9 | -- | -- | -- | -- | B483 | -- |
| | | | 10 | -- | -- | -- | -- | B482 | -- |
| | | | 11 | -- | -- | -- | -- | B481 | -- |
| | | | 12 | -- | -- | -- | -- | B485 | -- |
| | | | 13 | -- | -- | -- | -- | B484 | -- |
| | | | 14 | -- | -- | -- | -- | B480 | -- |

NOTE: Component manufactures' and OEM instructions shall take precedence over the information presented in these charts. Wire ranges are for reference only.

GMT TOOL SERIES OPTIONS

GMTxxx Hand Tool, p. 102
 GMTEBxxx Battery Tool, p. 104
 GMTExxx-R Battery Tool, p. 105

HX4 TOOL SERIES OPTIONS FOR Y-DIES

HX4 Hand Tools, p. 70 & 75
 HXE4B, HXE4-R Battery Tools, p. 72 & 73
 HX23 Pneumatic Tool, p. 74
 EHCY Electric Hydraulic Tool, p. 76

DCT TOOL SERIES OPTIONS

DCT4 Hand Tool, p. 106
 DCTE4B Battery Tool, p. 106



Similar Terminal Shown

MS21004-15 TO -21, SIZES 12 TO 10

TYPE: Class 1 Uninsulated Terminals, Rectangular Tongue

INSULATION: None

TERMINAL BODY & SLEEVE: Copper, ASTM B-152

PLATING: Tin, ASTM B-545

MAX TEMP RATING: 175° C

Tool Selection Guide*

| TERMINAL SPECS | | | | | DMC TOOL/DIE OPTIONS | | | | | |
|----------------|--------------|------------------------------|--------------|-----------------------------|------------------------------------|-------------------------------------|----------------------------|-----------------------------|-------------|---------------|
| AWG | WIRE SIZE MM | INSULATION DIAMETER IN. (MM) | SLEEVE COLOR | TERMINAL/SPLICE PART NUMBER | HX4 SERIES MULTI CAVITY (1 INDENT) | HX4 SERIES MULTI CAVITY (2 INDENTS) | GMT SERIES TOOL (1 INDENT) | GMT SERIES TOOL (2 INDENTS) | DCT4 SERIES | |
| #12-10 | 2.62 - 6.64 | N/A | N/A | MS21004- | 15 | Y554 Die | Y788 Die | GMT277 | GMT1005 | DCT4-105D Die |
| | | | | | 16 | Y554 Die | Y788 Die | GMT277 | GMT1005 | DCT4-105D Die |
| | | | | | 17 | Y554 Die | Y788 Die | GMT277 | GMT1005 | DCT4-105D Die |
| | | | | | 18 | Y554 Die | Y788 Die | GMT277 | GMT1005 | DCT4-105D Die |
| | | | | | 19 | Y554 Die | Y788 Die | GMT277 | GMT1005 | DCT4-105D Die |
| | | | | | 20 | Y554 Die | Y788 Die | GMT277 | GMT1005 | DCT4-105D Die |
| | | | | | 21 | Y554 Die | Y788 Die | GMT277 | GMT1005 | DCT4-105D Die |

* If MIL Approval is required, QPL status should be verified. Consult DMC for current status.

Terminal Manufacturers' Part Numbers

| TERMINAL SPECS | | | TERMINAL MANUFACTURERS' TERMINAL # | | | | | | |
|----------------|--------------|-----------------------------|------------------------------------|---------------|-------|---------|--------------|-----------|----|
| AWG | SLEEVE COLOR | TERMINAL/SPLICE PART NUMBER | BURNDY | HOLLINGSWORTH | MOLEX | PANDUIT | THOMAS&BETTS | TYCO ELEC | |
| #12-10 | N/A | MS21004- | 15 | -- | -- | -- | -- | C486 | -- |
| | | | 16 | -- | -- | -- | -- | C483 | -- |
| | | | 17 | -- | -- | -- | -- | C482 | -- |
| | | | 18 | -- | -- | -- | -- | C481 | -- |
| | | | 19 | -- | -- | -- | -- | C485 | -- |
| | | | 20 | -- | -- | -- | -- | C484 | -- |
| | | | 21 | -- | -- | -- | -- | C480 | -- |

NOTE: Component manufactures' and OEM instructions shall take precedence over the information presented in these charts. Wire ranges are for reference only.

GMT TOOL SERIES OPTIONS

GMTxxx Hand Tool, p. 102
 GMTEBxxx Battery Tool, p. 104
 GMTExxx-R Battery Tool, p. 105

HX4 TOOL SERIES OPTIONS FOR Y-DIES

HX4 Hand Tools, p. 70 & 75
 HXE4B, HXE4-R Battery Tools, p. 72 & 73
 HX23 Pneumatic Tool, p. 74
 EHCY Electric Hydraulic Tool, p. 76

DCT TOOL SERIES OPTIONS

DCT4 Hand Tool, p. 106
 DCTE4B Battery Tool, p. 106



Similar Terminal Shown

MS25036-101 TO -110, SIZES 22 TO 14

TYPE: Class 1 Insulated Terminals

INSULATION: Nylon, UL 94V-2

TERMINAL BODY & SLEEVE: Copper, ASTM B-152

PLATING: Tin, ASTM B-545

MAX TEMP RATING: 105° C

Tool Selection Guide*

| TERMINAL SPECS | | | | | DMC TOOL/DIE OPTIONS | | | | | |
|----------------|--------------|------------------------------|--------------|-----------------------------|--------------------------|--------------------------|--------------------|--------------------------|-------------------------|-----------|
| AWG | WIRE SIZE MM | INSULATION DIAMETER IN. (MM) | SLEEVE COLOR | TERMINAL/SPLICE PART NUMBER | HX4 SERIES MIL APPROVED* | HX3 SERIES MIL APPROVED* | MIL APPROVED* TOOL | HX4 SERIES SINGLE CAVITY | HX4 SERIES MULTI CAVITY | |
| #22-18 | 0.26-0.96 | .140 (3.56) | Red | MS25036- | 101 | Y501 Die | X511 Die | M22520/40-01 | Y672 Die | Y1060 Die |
| | | | | | 102 | Y501 Die | X511 Die | M22520/40-01 | Y672 Die | Y1060 Die |
| | | | | | 103 | Y501 Die | X511 Die | M22520/40-01 | Y672 Die | Y1060 Die |
| | | | | | 104 | Y501 Die | X511 Die | M22520/40-01 | Y672 Die | Y1060 Die |
| | | | | | 105 | Y501 Die | X511 Die | M22520/40-01 | Y672 Die | Y1060 Die |
| #16-14 | 1.04 - 2.62 | .170 (4.32) | Blue | MS25036- | 106 | Y501 Die | X511 Die | M22520/40-01 | Y671 Die | Y1060 Die |
| | | | | | 107 | Y501 Die | X511 Die | M22520/40-01 | Y671 Die | Y1060 Die |
| | | | | | 108 | Y501 Die | X511 Die | M22520/40-01 | Y671 Die | Y1060 Die |
| | | | | | 109 | Y501 Die | X511 Die | M22520/40-01 | Y671 Die | Y1060 Die |
| | | | | | 110 | Y501 Die | X511 Die | M22520/40-01 | Y671 Die | Y1060 Die |

* If MIL Approval is required, QPL status should be verified. Consult DMC for current status.

Terminal Manufacturers' Part Numbers

| TERMINAL SPECS | | | TERMINAL MANUFACTURERS' TERMINAL # | | | | | | | |
|----------------|--------------|-----------------------------|------------------------------------|---------------|-----------|-----------|--------------|-----------|---------|--------|
| AWG | SLEEVE COLOR | TERMINAL/SPLICE PART NUMBER | BURNDY | HOLLINGSWORTH | MOLEX | PANDUIT | THOMAS&BETTS | TYCO ELEC | | |
| #22-18 | Red | MS25036- | 101 | YAES18-N1 | XR1881 SN | AA-820-06 | PN18-6RN | RA333 | 36150 | 36149 |
| | | | 102 | YAES18-N2 | XR1885 SN | AA-832-06 | PN18-6R | RA853 | 51863 | -- |
| | | | 103 | YAES18-N3 | XR1891 SN | AA-821-10 | PN18-10R | RA873 | 36154 | 36153 |
| | | | 104 | YAES18-N4 | XR1895 SN | AA-822-56 | PN18-56R | RA723 | 31895 | 320572 |
| | | | 105 | YAES18-N5 | XR1896 SN | AA-826-38 | PN18-38R | RA733 | 31897 | 320573 |
| #16-14 | Blue | MS25036- | 106 | YAES14-N6 | XR2442 SN | BB-823-06 | PN14-6RN | RB1333 | 320561 | -- |
| | | | 107 | YAES14-N7 | XR1901 SN | BB-837-06 | PN14-6R | RB853 | 51864 | -- |
| | | | 108 | YAES14-N8 | XR1903 SN | BB-837-10 | PN14-10R | RB873 | 51864-2 | -- |
| | | | 109 | YAES14-N9 | XR1907 SN | BB-825-56 | PN14-56R | RB723 | 320575 | -- |
| | | | 110 | YAES14-N10 | XR1908 SN | BB-818-38 | PN14-38R | RB733 | 320564 | -- |

NOTE: Component manufactures' and OEM instructions shall take precedence over the information presented in these charts. Wire ranges are for reference only.

HX4 TOOL SERIES OPTIONS FOR Y-DIES

- HX4 Hand Tools, p. 70 & 75
- HXE4B, HXE4-R Battery Tools, p. 72 & 73
- HX23 Pneumatic Tool, p. 74
- EHCY Electric Hydraulic Tool, p. 76

HX3 TOOL SERIES OPTIONS FOR X-DIES

- HX3 Hand Tools, p. 70 & 75
- PHX3 Pneumatic Tool, p. 75



Similar Terminal Shown

MS25036-111 TO -114, SIZES 12 TO 10

TYPE: Class 1 Insulated Terminals
INSULATION: Nylon, UL 94V-2
TERMINAL BODY & SLEEVE: Copper, ASTM B-152
PLATING: Tin, ASTM B-545
MAX TEMP RATING: 105° C

Tool Selection Guide*

| TERMINAL SPECS | | | | | DMC TOOL/DIE OPTIONS | | | |
|----------------|--------------|------------------------------|--------------|-----------------------------|--------------------------|--------------------------|--------------------------|----------|
| AWG | WIRE SIZE MM | INSULATION DIAMETER IN. (MM) | SLEEVE COLOR | TERMINAL/SPLICE PART NUMBER | HX4 SERIES MIL APPROVED* | HX3 SERIES MIL APPROVED* | HX4 SERIES SINGLE CAVITY | |
| #12-10 | 2.62 - 6.64 | .230 (5.84) | Yellow | MS25036- | 111 | Y501 Die | X515 Die | Y670 Die |
| | | | | | 112 | Y501 Die | X515 Die | Y670 Die |
| | | | | | 113 | Y501 Die | X515 Die | Y670 Die |
| | | | | | 114 | Y501 Die | X515 Die | Y670 Die |

* If MIL Approval is required, QPL status should be verified. Consult DMC for current status.

Terminal Manufacturers' Part Numbers

| TERMINAL SPECS | | | TERMINAL MANUFACTURERS' TERMINAL # | | | | | | | |
|----------------|--------------|-----------------------------|------------------------------------|---------------|----------|----------|--------------|-----------|--------|-------|
| AWG | SLEEVE COLOR | TERMINAL/SPLICE PART NUMBER | BURNDY | HOLLINGSWORTH | MOLEX | PANDUIT | THOMAS&BETTS | TYCO ELEC | | |
| #12-10 | Yellow | MS25036- | 111 | YAES10-N11 | XR5107 N | C-828-06 | PN10-6R | RC333 | 320567 | 35107 |
| | | | 112 | YAES10-N12 | XR5109 N | C-828-10 | PN10-10R | RC363 | 36161 | 35109 |
| | | | 113 | YAES10-N13 | XR5111 N | C-830-56 | PN10-56R | RC703 | 320576 | 35111 |
| | | | 114 | YAES10-N14 | XR5112 N | C-840-38 | PN10-38R | RC733 | 320577 | 35112 |

NOTE: Component manufactures' and OEM instructions shall take precedence over the information presented in these charts. Wire ranges are for reference only.

HX4 TOOL SERIES OPTIONS FOR Y-DIES

HX4 Hand Tools, p. 70 & 75
 HXE4B, HXE4-R Battery Tools, p. 72 & 73
 HX23 Pneumatic Tool, p. 74
 EHCY Electric Hydraulic Tool, p. 76

HX3 TOOL SERIES OPTIONS FOR X-DIES

HX3 Hand Tools, p. 70 & 75
 PHX3 Pneumatic Tool, p. 75

MS25036-115 TO -122, SIZES 8 TO 6



Similar Terminal Shown

TYPE: Class 1 Insulated Terminals
INSULATION: Nylon, UL 94V-2
TERMINAL BODY & SLEEVE: Copper, ASTM B-152
PLATING: Tin, ASTM B-545
MAX TEMP RATING: 105° C

Tool Selection Guide*

| TERMINAL SPECS | | | | | DMC TOOL/DIE OPTIONS | | | | |
|----------------|--------------|------------------------------|--------------|-----------------------------|--------------------------|-------------|-------------|--------------|--------------|
| AWG | WIRE SIZE MM | INSULATION DIAMETER IN. (MM) | SLEEVE COLOR | TERMINAL/SPLICE PART NUMBER | HD002 DIES MIL APPROVED* | HX4 SERIES | HD36 SERIES | HD51 SERIES | |
| #8 | 6.64 - 10.5 | .290 (7.55) | Red | MS25036- | 115 | HD002-8 Die | Y673H Die | HD36-139 Die | HD51-105 Die |
| | | | | | 116 | HD002-8 Die | Y673H Die | HD36-139 Die | HD51-105 Die |
| | | | | | 117 | HD002-8 Die | Y673H Die | HD36-139 Die | HD51-105 Die |
| | | | | | 118 | HD002-8 Die | Y673H Die | HD36-139 Die | HD51-105 Die |
| #6 | 10.5 - 16.8 | .370 (9.55) | Blue | MS25036- | 119 | HD002-6 Die | Y674H Die | HD36-136 Die | HD51-106 Die |
| | | | | | 120 | HD002-6 Die | Y674H Die | HD36-136 Die | HD51-106 Die |
| | | | | | 121 | HD002-6 Die | Y674H Die | HD36-136 Die | HD51-106 Die |
| | | | | | 122 | HD002-6 Die | Y674H Die | HD36-136 Die | HD51-106 Die |

* If MIL Approval is required, QPL status should be verified. Consult DMC for current status.

Terminal Manufacturers' Part Numbers

| TERMINAL SPECS | | | TERMINAL MANUFACTURERS' TERMINAL # | | | | | | |
|----------------|--------------|-----------------------------|------------------------------------|---------------|-------|---------|--------------|-----------|----|
| AWG | SLEEVE COLOR | TERMINAL/SPLICE PART NUMBER | BURNDY | HOLLINGSWORTH | MOLEX | PANDUIT | THOMAS&BETTS | TYCO ELEC | |
| #8 | Red | MS25036- | 115 | YAEV8C-L | -- | -- | -- | RD10361 | -- |
| | | | 116 | YAEV8C-L1 | -- | -- | -- | RD10711 | -- |
| | | | 117 | YAEV8C-L2 | -- | -- | -- | RD10721 | -- |
| | | | 118 | YAEV8C-L3 | -- | -- | -- | RD10731 | -- |
| #6 | Blue | MS25036- | 119 | YAEV6C-L1-M | -- | -- | -- | RE10261 | -- |
| | | | 120 | YAEV6C-L-M | -- | -- | -- | RE10711 | -- |
| | | | 121 | YAEV6C-L4-M | -- | -- | -- | RE10721 | -- |
| | | | 122 | YAEV6C-L2-M | -- | -- | -- | RE10731 | -- |

NOTE: Component manufactures' and OEM instructions shall take precedence over the information presented in these charts. Wire ranges are for reference only.

HD002 TOOL OPTIONS

HH80C Hand Tool, p. 114
 TBHD1M Pneumatic Tool, p. 114

HX4 TOOL SERIES OPTIONS FOR Y-DIES

HD37 Hand Tool, p. 108
 HDE37B Battery Tool, p. 108
 HX23 Pneumatic Tool, p. 74
 EHCY Electric Hydraulic Tool, p. 76

HD36 TOOL SERIES OPTIONS

HD36 Hand Tool, p. 109
 HDE36B Battery Tool, p. 110
 EHC36 Electric Hydraulic Tool, p. 111

HD51 TOOL SERIES OPTIONS

HD51 Hand Tool, p. 112
 XHD51 Pneumatic Tool, p. 112



Similar Terminal Shown

MS25036-123 TO -131, SIZES 4 TO 1

TYPE: Class 1 Insulated Terminals
INSULATION: Nylon, UL 94V-2
TERMINAL BODY & SLEEVE: Copper, ASTM B-152
PLATING: Tin, ASTM B-545
MAX TEMP RATING: 105° C

Tool Selection Guide*

| TERMINAL SPECS | | | | | DMC TOOL/DIE OPTIONS | | | |
|----------------|--------------|------------------------------|--------------|-----------------------------|--------------------------|-------------|--------------|--------------|
| AWG | WIRE SIZE MM | INSULATION DIAMETER IN. (MM) | SLEEVE COLOR | TERMINAL/SPLICE PART NUMBER | HD002 DIES MIL APPROVED* | HD36 SERIES | HD51 SERIES | |
| #4 | 16.8 - 26.7 | .430 (11.05) | Yellow | MS25036- | 123 | HD002-4 Die | HD36-137 Die | HD51-107 Die |
| | | | | | 124 | HD002-4 Die | HD36-137 Die | HD51-107 Die |
| | | | | | 125 | HD002-4 Die | HD36-137 Die | HD51-107 Die |
| #2 | 26.7 - 42.4 | .505 (12.83) | Red | MS25036- | 126 | HD002-2 Die | -- | HD51-113 Die |
| | | | | | 127 | HD002-2 Die | -- | HD51-113 Die |
| | | | | | 128 | HD002-2 Die | -- | HD51-113 Die |
| #1 | -- | -- | White | MS25036- | 129 | HD002-1 Die | -- | HD51-154 Die |
| | | | | | 130 | HD002-1 Die | -- | HD51-154 Die |
| | | | | | 131 | HD002-1 Die | -- | HD51-154 Die |

* If MIL Approval is required, QPL status should be verified. Consult DMC for current status.

Terminal Manufacturers' Part Numbers

| TERMINAL SPECS | | | TERMINAL MANUFACTURERS' TERMINAL # | | | | | | |
|----------------|--------------|-----------------------------|------------------------------------|---------------|-------|---------|--------------|-----------|----|
| AWG | SLEEVE COLOR | TERMINAL/SPLICE PART NUMBER | BURNDY | HOLLINGSWORTH | MOLEX | PANDUIT | THOMAS&BETTS | TYCO ELEC | |
| #4 | Yellow | MS25036- | 123 | YAEV4C-L | -- | -- | -- | RF10711 | -- |
| | | | 124 | YAEV4C-L4 | -- | -- | -- | RF10721 | -- |
| | | | 125 | YAEV4C-L2 | -- | -- | -- | RF10731 | -- |
| #2 | Red | MS25036- | 126 | YAEV2C-L1 | -- | -- | -- | RG9711 | -- |
| | | | 127 | YAEV2C-L | -- | -- | -- | RG9731 | -- |
| | | | 128 | YAEV8C-L4 | -- | -- | -- | RG9751 | -- |
| #1 | White | MS25036- | 129 | YAEV1C-L1 | -- | -- | -- | RH9711 | -- |
| | | | 130 | YAEV1C-L | -- | -- | -- | RH9731 | -- |
| | | | 131 | YAEV1C-L3 | -- | -- | -- | RH9751 | -- |

NOTE: Component manufactures' and OEM instructions shall take precedence over the information presented in these charts. Wire ranges are for reference only.

HD002 TOOL OPTIONS

HH80C Hand Tool, p. 114
 TBHD1M Pneumatic Tool, p. 114

HD36 TOOL SERIES OPTIONS

HD36 Hand Tool, p. 109
 HDE36B Battery Tool, p. 110
 EHC36 Electric Hydraulic Tool, p. 111

HD51 TOOL SERIES OPTIONS

HD51 Hand Tool, p. 112
 XHD51 Pneumatic Tool, p. 112

MS25036-132 TO -141, Sizes 1/0 TO 4/0



Similar Terminal Shown

TYPE: Class 1 Insulated Terminals
INSULATION: Nylon, UL 94V-2
TERMINAL BODY & SLEEVE: Copper, ASTM B-152
PLATING: Tin, ASTM B-545
MAX TEMP RATING: 105° C

Tool Selection Guide*

| TERMINAL SPECS | | | | | DMC TOOL/DIE OPTIONS | | | |
|----------------|--------------|------------------------------|--------------|-----------------------------|--------------------------|--------------|--------------|--|
| AWG | WIRE SIZE MM | INSULATION DIAMETER IN. (MM) | SLEEVE COLOR | TERMINAL/SPLICE PART NUMBER | HD002 DIES MIL APPROVED* | HD51 SERIES | | |
| 1/0 | 42.4-60.6 | .632 (16.05) | Blue | MS25036- | 132 | HD002-01 Die | HD51-128 Die | |
| | | | | | 133 | HD002-01 Die | HD51-128 Die | |
| | | | | | 134 | HD002-01 Die | HD51-128 Die | |
| 2/0 | 60.6-76.3 | .684 (17.37) | Yellow | MS25036- | 135 | HD002-02 Die | HD51-129 Die | |
| | | | | | 136 | HD002-02 Die | HD51-129 Die | |
| | | | | | 137 | HD002-02 Die | HD51-129 Die | |
| 3/0 | 76.3-96.3 | .737 (18.72) | Red | MS25036- | 138 | HD002-03 Die | -- | |
| | | | | | 139 | HD002-03 Die | -- | |
| 4/0 | 96.3-117 | .799 (20.29) | Blue | MS25036- | 140 | HD002-04 Die | -- | |
| | | | | | 141 | HD002-04 Die | -- | |

* If MIL Approval is required, QPL status should be verified. Consult DMC for current status.

Terminal Manufacturers' Part Numbers

| TERMINAL SPECS | | | TERMINAL MANUFACTURERS' TERMINAL # | | | | | | |
|----------------|--------------|-----------------------------|------------------------------------|---------------|-------|---------|--------------|-----------|----|
| AWG | SLEEVE COLOR | TERMINAL/SPLICE PART NUMBER | BURNDY | HOLLINGSWORTH | MOLEX | PANDUIT | THOMAS&BETTS | TYCO ELEC | |
| 1/0 | Blue | MS25036- | 132 | YAEV25-L1 | -- | -- | -- | RJ9711 | -- |
| | | | 133 | YAEV25-L | -- | -- | -- | RJ9731 | -- |
| | | | 134 | YAEV25-L3 | -- | -- | -- | RJ9751 | -- |
| 2/0 | Yellow | MS25036- | 135 | YAEV26-L2 | -- | -- | -- | RK9711 | -- |
| | | | 136 | YAEV26-L | -- | -- | -- | RK9731 | -- |
| | | | 137 | YAEV26-L3 | -- | -- | -- | RK9751 | -- |
| 3/0 | Red | MS25036- | 138 | -- | -- | -- | -- | RL9731 | -- |
| | | | 139 | -- | -- | -- | -- | RL9751 | -- |
| 4/0 | Blue | MS25036- | 140 | -- | -- | -- | -- | RM9731 | -- |
| | | | 141 | -- | -- | -- | -- | RM9751 | -- |

NOTE: Component manufactures' and OEM instructions shall take precedence over the information presented in these charts. Wire ranges are for reference only.

HD002 TOOL OPTIONS

HH80C Hand Tool, p. 114
 TBHD1M Pneumatic Tool, p. 114

HD51 TOOL SERIES OPTIONS

HD51 Hand Tool, p. 112
 XHD51 Pneumatic Tool, p. 112



Similar Terminal Shown

MS25036-143 TO -151, Sizes 26 TO 18

TYPE: Class 1 Insulated Terminals
INSULATION: Nylon, UL 94V-2
TERMINAL BODY & SLEEVE: Copper, ASTM B-152
PLATING: Tin, ASTM B-545
MAX TEMP RATING: 105° C

Tool Selection Guide*

| TERMINAL SPECS | | | | | DMC TOOL/DIE OPTIONS | | | | | |
|----------------|--------------|------------------------------|--------------|-----------------------------|--------------------------|--------------------------|--------------------|--------------------------|-------------------------|-----------|
| AWG | WIRE SIZE MM | INSULATION DIAMETER IN. (MM) | SLEEVE COLOR | TERMINAL/SPLICE PART NUMBER | HX4 SERIES MIL APPROVED* | HX3 SERIES MIL APPROVED* | MIL APPROVED* TOOL | HX4 SERIES SINGLE CAVITY | HX4 SERIES MULTI CAVITY | |
| #26-24 | 0.12 - 0.24 | .082 (2.09) | Yellow | MS25036- | 143 | Y501 Die | X511 Die | M22520/40-01 | Y672 Die | Y1060 Die |
| | | | | | 144 | Y501 Die | X511 Die | M22520/40-01 | Y672 Die | Y1060 Die |
| | | | | | 145 | Y501 Die | X511 Die | M22520/40-01 | Y672 Die | Y1060 Die |
| | | | | | 146 | Y501 Die | X511 Die | M22520/40-01 | Y672 Die | Y1060 Die |
| | | | | | 147 | Y501 Die | X511 Die | M22520/40-01 | Y672 Die | Y1060 Die |
| #22-18 | 0.26- 0.96 | .125 (3.18) | Red | MS25036- | 148 | Y501 Die | X511 Die | M22520/40-01 | Y672 Die | Y1060 Die |
| | | | | | 149 | Y501 Die | X511 Die | M22520/40-01 | Y672 Die | Y1060 Die |
| | | | | | 150 | Y501 Die | X511 Die | M22520/40-01 | Y672 Die | Y1060 Die |
| | | | | | 151 | Y501 Die | X511 Die | M22520/40-01 | Y672 Die | Y1060 Die |

* If MIL Approval is required, QPL status should be verified. Consult DMC for current status.

Terminal Manufacturers' Part Numbers

| TERMINAL SPECS | | | TERMINAL MANUFACTURERS' TERMINAL # | | | | | | |
|----------------|--------------|-----------------------------|------------------------------------|---------------|-----------|-----------|--------------|-----------|---------|
| AWG | SLEEVE COLOR | TERMINAL/SPLICE PART NUMBER | BURNDY | HOLLINGSWORTH | MOLEX | PANDUIT | THOMAS&BETTS | TYCO ELEC | |
| #26-24 | Yellow | MS25036- | 143 | -- | XR26336 N | -- | -- | RAX23 | 54310-1 |
| | | | 144 | -- | XR26337 N | -- | -- | RAX43 | 52189 |
| | | | 145 | -- | XR26338 N | -- | -- | RAX63 | 53073 |
| | | | 146 | -- | XR26339 N | -- | -- | RAX83 | 54311-1 |
| | | | 147 | -- | XR26340 N | -- | -- | RAX103 | 54321-1 |
| #22-18 | Red | MS25036- | 148 | YAES18-N48 | XR1880 SN | AA-820-04 | PN18-4RN | RA323 | 31880 |
| | | | 149 | YAES18-N49 | XR1890 SN | AA-821-08 | PN18-8R | RA863 | 31890 |
| | | | 150 | YAES18-N50 | XR1894 SN | AA-822-14 | PN18-14R | RA713 | 31894 |
| | | | 151 | -- | -- | -- | -- | RA753 | 328975 |

NOTE: Component manufactures' and OEM instructions shall take precedence over the information presented in these charts. Wire ranges are for reference only.

HX4 TOOL SERIES OPTIONS FOR Y-DIES

HX4 Hand Tools, p. 70 & 75
 HXE4B, HXE4-R Battery Tools, p. 72 & 73
 HX23 Pneumatic Tool, p. 74
 EHCY Electric Hydraulic Tool, p. 76

HX3 TOOL SERIES OPTIONS FOR X-DIES

HX3 Hand Tools, p. 70 & 75
 PHX3 Pneumatic Tool, p. 75

MS25036-152 TO -159, Sizes 22 TO 10



Similar Terminal Shown

TYPE: Class 1 Insulated Terminals
INSULATION: Nylon, UL 94V-2
TERMINAL BODY & SLEEVE: Copper, ASTM B-152
PLATING: Tin, ASTM B-545
MAX TEMP RATING: 105° C

Tool Selection Guide*

| TERMINAL SPECS | | | | | DMC TOOL/DIE OPTIONS | | | | | |
|----------------|--------------|------------------------------|--------------|-----------------------------|--------------------------|--------------------------|--------------------|--------------------------|-------------------------|-----------|
| AWG | WIRE SIZE MM | INSULATION DIAMETER IN. (MM) | SLEEVE COLOR | TERMINAL/SPLICE PART NUMBER | HX4 SERIES MIL APPROVED* | HX3 SERIES MIL APPROVED* | MIL APPROVED* TOOL | HX4 SERIES SINGLE CAVITY | HX4 SERIES MULTI CAVITY | |
| #16-14 | 1.04 - 2.62 | .150 (3.81) | Blue | MS25036- | 152 | Y501 Die | X511 Die | M22520/40-01 | Y671 Die | Y1060 Die |
| | | | | | 153 | Y501 Die | X511 Die | M22520/40-01 | Y671 Die | Y1060 Die |
| | | | | | 154 | Y501 Die | X511 Die | M22520/40-01 | Y671 Die | Y1060 Die |
| | | | | | 155 | Y501 Die | X511 Die | M22520/40-01 | Y671 Die | Y1060 Die |
| #12-10 | 2.62 - 6.64 | .230 (5.84) | Yellow | MS25036- | 156 | Y501 Die | X515 Die | -- | Y670 Die | -- |
| | | | | | 157 | Y501 Die | X515 Die | -- | Y670 Die | -- |
| | | | | | 158 | Y501 Die | X515 Die | -- | Y670 Die | -- |
| #22-18 | 0.26-0.96 | .230 (5.84) | Red | MS25036- | 159 | Y501 Die | X511 Die | M22520/40-01 | Y672 Die | Y1060 Die |

* If MIL Approval is required, QPL status should be verified. Consult DMC for current status.

Terminal Manufacturers' Part Numbers

| TERMINAL SPECS | | | TERMINAL MANUFACTURERS' TERMINAL # | | | | | | |
|----------------|--------------|-----------------------------|------------------------------------|---------------|-----------|-----------|--------------|-----------|---------|
| AWG | SLEEVE COLOR | TERMINAL/SPLICE PART NUMBER | BURNDY | HOLLINGSWORTH | MOLEX | PANDUIT | THOMAS&BETTS | TYCO ELEC | |
| #16-14 | Blue | MS25036- | 152 | YAES14N52 | -- | BB-823-04 | PN14-4R | RB1323 | 324159 |
| | | | 153 | YAES14N53 | XR1902 SN | BB-837-08 | PN14-8R | RB863 | 51864-1 |
| | | | 154 | YAES14N54 | XR1906 SN | BB-825-14 | PN14-14R | RB713 | 320563 |
| | | | 155 | YAES14N55 | -- | -- | -- | RB753 | 328976 |
| #12-10 | Yellow | MS25036- | 156 | YAES10-N56 | XR5108 N | C-828-08 | PN10-8R | RC863 | 35108 |
| | | | 157 | YAES10-N57 | XR5110 N | C-830-14 | PN10-14R | RC713 | 35110 |
| | | | 158 | YAES10-N58 | XR5117 N | -- | -- | RC753 | 52077 |
| #22-18 | Red | MS25036- | 159 | -- | XR1879 SN | AA-820-02 | -- | -- | |

NOTE: Component manufactures' and OEM instructions shall take precedence over the information presented in these charts. Wire ranges are for reference only.

HX4 TOOL SERIES OPTIONS FOR Y-DIES

HX4 Hand Tools, p. 70 & 75
 HXE4B, HXE4-R Battery Tools, p. 72 & 73
 HX23 Pneumatic Tool, p. 74
 EHCY Electric Hydraulic Tool, p. 76

HX3 TOOL SERIES OPTIONS FOR X-DIES

HX3 Hand Tools, p. 70 & 75
 PHX3 Pneumatic Tool, p. 75

Hand Held Pneumatic Wire Stripping Tool

Compact Design allows hand-held tool to be used in confined areas.

Light Weight construction and pneumatic actuation system minimize operator fatigue and carpal tunnel injuries.

Fast, smooth stripping operation results in maximum quality wire preparation at a production rate unattainable with hand operated mechanical strippers.

Compatibility with common, commercially available stripper blades (see page 165), grippers, and other components makes the unit economical, and it assured a wide range of applications with all types of wire.

Rotatable Head permits left or right hand operation.

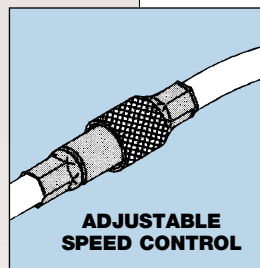
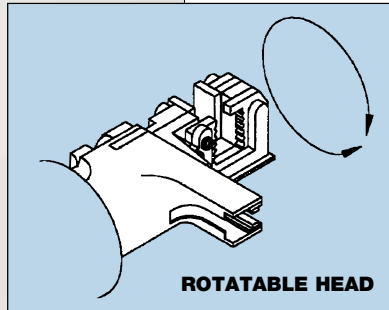
Wire Stop may be used for precise, repeatable operations.

Adjustable Speed Control allows the operator to regulate the speed of the stripping operation by simply rotating the adjustment collar which is a part of the air hose. This enables greater accuracy and control of the wire stripper.

The WSP-1630 series Pneumatic Wire Stripper is the ultimate combination of performance, reliability, and portability. It was developed in cooperation with major aerospace contractors addressing their needs for a reliable, simple to

operate pneumatic wire stripper utilizing the blades and accessories which are certified and inventoried within their existing facilities.

The WSP-1630 part number applies to the basic pneumatic wire stripper frame with L-5211 blades (less accessories), which accommodates most size 16 AWG and smaller wires. Blades, pads and accessories to cover a variety of wire types and sizes are available (see page 165). Consult DMC for designated part numbers for wire strippers with blades, pads and alternate components. Please contact DMC for specific details about this and other wire stripping products.



The Industry Standard for Wire Strippers (AS5768, Tool, Stripper, Electrical Insulation, General Specification For) was developed to organize, define, and provide QPL source management for wire strippers and blades used in Aerospace and Commercial applications. The AS5768 Specification is available from www.SAE.org.

| AS5768 WIRE STRIPPER BLADE PART NUMBER TABLE | | | |
|--|---|--------------------|--------------------------------------|
| SAE SPEC TOOL PART NUMBER | WIRE TYPE | WIRE SIZE CAVITIES | NSN |
| AS5768-1-B1 | AS50861/1, /2, /4-/7 | 10-14 | NA |
| AS5768-1-B2 | AS50861/1, /2, /4-/7 | 16-22 | NA |
| AS5768-1-B3 | AS22759/5, /6 | 16-22 | 5110-01-377-2272 |
| AS5768-1-B4 | AS22759/7, /8 | 16-22 | 5110-01-377-2237 |
| AS5768-1-B5 | AS22759/9-/12, /16, /17, /20-/23, /28-/35, /41-/46, AS81044/11-/13, AS85465/9-/12, MIL-DTL-81381/3, /4 | 10-14 | 5110-01-373-2486 |
| AS5768-1-B6 | AS22759/9-/12, /20-/23, /28-/31 | 16-26 | 5110-00-177-7286 5110-01-3772-181 |
| AS5768-1-B7 | AS22759/9-/12, 20-/23, /28-/31, /34, /35, /41-/43, AS81044/7-/14, /21, /22, MIL-DTL-81381/3, /4, /7-/14, /21, /22 | 26-30 | 5110-00-177-7287 |
| AS5768-1-B8 | AS22759/11, /12, /16, /17, MIL-DTL-81381/11-/14, /22 | 16-26 | 5110-01-377-2245 |
| AS5768-1-B9 | AS22759/16, /17, /32-/35, /41-/46 | 16-26 | 5110-01-373-2487 |
| AS5768-1-B10 | AS22759/18, /19, MIL-DTL-81381/1, /2, /5-/10, /21 | 16-26 | 5110-01-377-2271 |
| AS5768-1-B11 | AS22759/18, /19, MIL-DTL-81381/11-/14, /22 | 10-14 | 5110-01-377-2313 |
| AS5768-1-B12 | AS22759/80-/82, /91, /92 | 10-14 | 5110-01-520-8380 |
| AS5768-1-B13 | AS22759/80-/82, /91, /92 | 16-24 | NA |
| AS5768-1-B14 | AS22759/83-/90 | 10-14 | NA |
| AS5768-1-B15 | AS22759/83-/90 | 16-26 | 5110-01-520-8379 5110-01-530-2382 |
| AS5768-1-B16 | AS81044/5-/7 | 10-14 | 5110-01-380-9356 |
| AS5768-1-B17 | AS81044/5-/7 | 16-26 | 5110-01-373-2484 |
| AS5768-1-B18 | AS81044/8-/10 | 10-14 | 5110-01-377-2167 |
| AS5768-1-B19 | AS81044/8-/10 | 16-26 | 5110-01-377-2180 |
| AS5768-1-B20 | AS81044/11-/13, AS85485/9-/12 | 16-26 | 5110-00-088-1598 5110-01-373-2485 |
| AS5768-1-B21 | MIL-DTL-81381/1, /2, /5-/10, /17-/21 | 10-14 | 5110-01-380-9344 |
| AS5768-1-B22 | MIL-DTL-81381/17-/20 | 16-26 | NA |
| AS5768-1-B23 | AS85485/5-/8 | 10-14 | 5110-01-380-9387 |
| AS5768-1-B24 | AS85485/5-/8 | 16-26 | 5110-01-377-2247 |

DMC also offers Qualified Products Listed (QPL) Hand Operated Wire Strippers and Blades to cover a wide variety of wire types. Consult DMC for details.

ST825 Swaging Tool for Cable (wire rope)



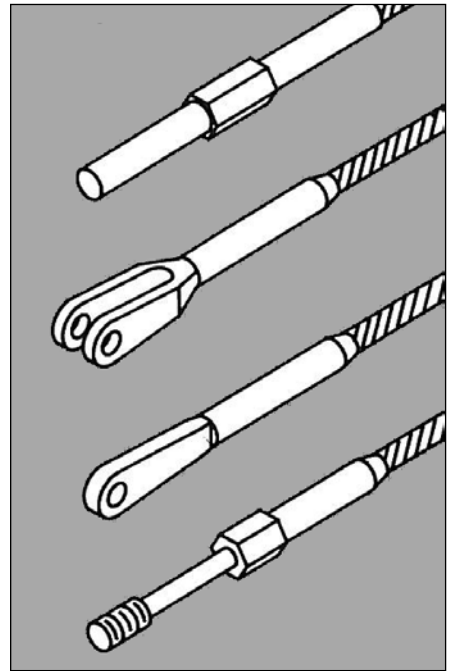
The DMC **ST825** Swaging Tool is used to swage terminals to flexible aircraft cable (usually stainless steel) and is built to meet government specifications. The complete tool consists of a cylinder and yoke assembly that is easily accessible for quick changing of dies, air hose assembly with a shut off valve and a single action foot control valve assembly with lubricator and air filter.

All swaging and cutting dies are of a hardened steel and are polished and heat treated to withstand high impact. Each die is marked to indicate the type and size terminal to be swaged, or cable to be cut.

This rugged tool, minus the dies, weighs less than 20 pounds. It operates on standard shop air pressure of 80 to 120 PSI and is designed for hand operation or it can be mounted to cushion base plate for bench top use.

This tool is also offered in the form of a tool kit (PIN **DMC99**). This includes additional items such as a base plate, gages, the complete range of cutting and swaging dies and instruction manual. All packaged in a durable metal carrying case.

TYPICAL SWAGING APPLICATIONS



ST825 Swaging Tool for Cable (wire rope)



ST825 WITH SWAGING DIES



ST825 WITH CUTTING DIES



DMC99 TOOL KIT

The DMC99 TOOL KIT is a custom metal tool kit and carrying case for the Swaging tool and includes additional items such as a base plate, gages, cutting and swaging dies and instruction manual. This tool kit meets federal specification GGG-S-00825A (GSA-FSS) NSN 5130-00-712-4855.

TO BE USED ON MIL-W-83420, MIL-W-87161 AND SPECIFIED WIRES.

| DMC PART NO. | QTY. | TERMINAL REF. (MIL.#) | DESCRIPTION | CABLE DIA. | CROSS REF. ATI P/N |
|--------------|------|-----------------------|---------------------|------------|--------------------|
| G689 | 1 | | GAGE SET | | AT5205G |
| ST825003 | 1 | | SPACER | | AT520SP-1 |
| ST825SDB-2 | 2 | MS20663-2 | SWAGING DIE | 1/16" | AT520CDB-2 |
| ST825SDB-3 | 2 | MS20663-3 | SWAGING DIE | 3/32" | AT520CDB-3 |
| ST825SDB-4 | 2 | MS20663-4 | SWAGING DIE | 1/8" | AT520CDB-4 |
| ST825SDB-5 | 2 | MS20663-5 | SWAGING DIE | 5/32" | AT520CDB-5 |
| ST825SDB-6 | 2 | MS20663-6 | SWAGING DIE | 3/16" | AT520CDB-6 |
| ST825SSB-2-L | 1 | MS20664-2 (L) | SWAGING DIE , LEFT | 1/16" | |
| ST825SSB-2-R | 1 | MS20664-2 (R) | SWAGING DIE , RIGHT | 1/16" | *AT520CSB-2 |
| ST825SSB-3-L | 1 | MS20664-3 (L) | SWAGING DIE , LEFT | 3/32" | |
| ST825SSB-3-R | 1 | MS20664-3 (R) | SWAGING DIE, RIGHT | 3/32" | *AT520CSB-3 |
| ST825SSB-4-L | 1 | MS20664-4 (L) | SWAGING DIE, LEFT | 1/8" | |
| ST825SSB-4-R | 1 | MS20664-4 (R) | SWAGING DIE, RIGHT | 1/8" | * AT520CSB-4 |
| ST825SSB-5-L | 1 | MS20664-5 (L) | SWAGING DIE , LEFT | 5/32" | |
| ST825SSB-5-R | 1 | MS20664-5 (R) | SWAGING DIE, RIGHT | 5/32" | *AT520CSB-5 |
| ST825SSB-6-L | 1 | MS20664-6 (L) | SWAGING DIE, LEFT | 3/16" | |
| ST825SSB-6-4 | 1 | MS20664-6 (R) | SWAGING DIE , RIGHT | 3/16" | *AT520CSB-6 |
| ST825SB-2 | 2 | BA3-2 | SWAGING DIE | 1/16" | AT520CB-2 |
| ST825SB-3 | 2 | BA3-3 | SWAGING DIE | 3/32" | AT520CB-3 |
| ST825SB-4 | 2 | BA3-4 | SWAGING DIE | 3/32" | AT520CB-4 |
| ST825SL-2 | 2 | ** -2 | SWAGING DIE | 1/16" | AT520CS-2 |
| ST825SL-3 | 2 | ** -3 | SWAGING DIE | 3/32" | AT520CS-3 |
| ST825SL-4 | 2 | ** -4 | SWAGING DIE | 1/8" | AT520CS-4 |
| ST825SL-5 | 2 | ** -5 | SWAGING DIE | 5/32" | AT520CS-5 |
| ST825SL-6 | 2 | ** -6 | SWAGING DIE | 3/16" | AT520CS-6 |
| ST825SL-7 | 2 | ** -7 (NOTE) | SWAGING DIE | 7/32" | AT520CS-7 |
| ST825SL-8 | 2 | ** -8 | SWAGING DIE | 1/4" | AT520CS-8 |
| ST825CD-2-1 | 1 | | CUTTING DIE | 1/16" | AT520CD-2 |
| ST825CD-2-2 | 1 | | CUTTING PUNCH | 1/16" | AT520CP-2 |
| ST825CD-3-1 | 1 | | CUTTING DIE | 3/32" | AT520CD-3 |
| ST825CD-3-2 | 1 | | CUTTING PUNCH | 3/32" | AT520CP-3 |
| ST825CD-4-1 | 1 | | CUTTING DIE | 1/8" | AT520CD-4 |
| ST825CD-4-2 | 1 | | CUTTING PUNCH | 1/8" | AT520CP-4 |
| ST825CD-5-1 | 1 | | CUTTING DIE | 5/32" | AT520CD -5 |
| ST825CD-5-2 | 1 | | CUTTING PUNCH | 5/32" | AT520CP-5 |
| ST825CD-6-1 | 1 | | CUTTING DIE | 3/16" | AT520CD-6 |
| ST825CD-6-2 | 1 | | CUTTING PUNCH | 3/16" | AT520CP-6 |
| ST825CD-7-1 | 1 | | CUTTING DIE | 7/32" | AT520CD-7 |
| ST825CD-7-2 | 1 | | CUTTING PUNCH | 7/32" | AT520CP-7 |
| ST825CD-8-1 | 1 | | CUTTING DIE | 1/4" | AT520CD-8 |
| ST825CD-8-2 | 1 | | CUTTING PUNCH | 1/4" | AT520CP-8 |

*Sets only

**MS20658, MS20667, MS2160, MS21259

(NOTE) Uses the ST825SL-6 die set for MS20658-7 terminal.

Wiring System Service Kits

HERE IS WHERE DMC'S KNOWLEDGE AND EXPERIENCE PAY OFF!

Building a tool kit to service an entire wiring system involves extensive research to select to correct tooling and ensure all serviceable connectors, terminals, splices and contacts are covered. Technicians who are responsible for the maintenance or production of entire systems cannot be expected to know all the answers, nor do they have the time to do the necessary research or locate tooling. DMC has this knowledge and does the technical research for them.

We apply our decades of connector industry experience and wealth of tooling information into developing the technical data for every Wiring System Service Kit we build.

We design and manufacture a tool kit package which includes:

- 1) All the necessary tooling (crimping tools, dies, heads, installing tools, removal tools, gages, wire strippers for circular and R.F. connectors and more).
- 2) Complete instructions on set up and use of each tool and accessory.
- 3) Valuable tool application data which eliminates guesswork and dangerous trial and error tool selection.



PRODUCTION ASSEMBLY



**STATE OF THE ART
FOAM CUTTING EQUIPMENT**

DMC has built Wiring System Service Kits for over 40 years and already has tool kits designed for most Military Aircraft & Ground Vehicles, Commercial Aircraft, Commuter and Executive Aircraft, Helicopters, as well as for individual Shipboard Systems, Weapons Systems and Avionics Systems. DMC kits have become the standard for wiring system maintenance.

We can assist you with the selection or custom design the right Wiring System Service Kit to meet your individual requirements.

After you have purchased a DMC Wiring System Service Kit, our trained personnel are available with the information and tools you need to keep your kit up-to-date.



EXTENSIVE INVENTORY INVESTMENT

MILITARY STANDARD KITS

These kits are specified by many departments of the government, particularly the Navy and Air Force. They conform to MIL-M-83521, MIL-T-83507, and others. The national stock class code for most of the Military Standard Kits is usually 5120 or 5180.

AIRCRAFT OR SYSTEM KITS

We produce Wiring System Service Kits for a wide range of individual aircraft, families of aircraft, and mixed fleets. We can custom design or alter an existing kit to meet the user's requirements.

Some common aircraft covered are:

Airbus A300, A310, A320, A330, A340, A380
Bell 205, 206, 206L, 212, 412, 430
Boeing 707, 727, 737s, 747s, 757, 767, 777
Bombardier CRJ series, DASH 8s, CL-600 to 604
Cessna Citation I, II, III, IV, V, VI, VII & X
Dassault FALCON 10/100, 20/200, 50/900, 50EX, 900EX & 2000/2000EX
Douglas DC8, DC9 and DC10
Embraer EMB-110, -120, -312, ERJ-135, -145, -170, -190 & Legacy
Eurocopter EC-135, EC-145, BO-105, BK-117
Fokker F50/F100
Gulfstream II, III, IV, V, G550
Hawker Beechcraft 800/800XP, 1900D, King Air 200, 200T, 350
Learjet 25, 31A, 35, 45, 55, & 60
Pilatus PC-12 & PC-7 Trainer
Sikorsky S-76, S-92
And many more...

Contact DMC, or visit our Web site, for a list of Aircraft and Systems covered by DMC Wiring System Service Kits.



GENERAL AVIATION KIT

The DMC1149 General Aviation Kit was developed for, and in conjunction with, organizations involved in the maintenance and outfitting of light commercial, business, and personal aircraft. It has since proven to be well suited for service of many types of other systems.



This basic kit covers the standard power contacts sizes 16, 20, and 22D in the following connector families.

| | |
|---------------|--------------------|
| MIL-DTL-24308 | MIL-DTL-83723 |
| MIL-DTL-26482 | Deutsch DS Series |
| MIL-DTL-26500 | ITT Cannon DPX and |
| MIL-PRF-38999 | DC Series |

Also covered are stamped formed contacts used in many general purpose connectors supplied by: AMP, Elco, Winchester, Collins Narco, Bendix, King, Sperry, etc. Plus necessary tooling to cover most common types of RF connectors (i.e. BNC, TNC) using RG/58 and RG/8 coaxial cable. Experience in the field has shown these to be the most common variety. (See technical application tables elsewhere in the catalog for specific descriptions and contact P/N for military designations.)

We cannot guarantee this kit will solve all your connector maintenance problems, but the necessary tooling and information will certainly be at hand for most requirements. (Our engineering department will confirm coverage of your specific requirements.)

The durable steel case provides strength and light weight. The tools are restrained in protective foam cavities.

PRODUCTION (WORK STATION) KITS

DMC work stations are custom designed to fit your production requirements. They can utilize hand tools or pneumatic models. Special holding clamps or work positioners can be included in the container or mounted permanently to the tooling enclosure. Our engineering department can give you details on the best work station for your application.

BACKSHELL ACCESSORY KITS

DMC produces a variety of innovative tools and adaptors which are used when fitting backshell or strain-relief hardware to electrical connectors. (Ask for our BETA Backshell Tooling Guide.) These tools are available in sets according to connector series or in complete system support tool kits. The kits can be individually designed to meet your maintenance or production demands.

Wiring System Service Kits

VALUABLE DATA PACKAGES

THE MAINTENANCE PROBLEM

Today's sophisticated aircraft, defense systems, and avionics electronics have become increasingly more complex. The technician who must maintain these systems cannot possibly be knowledgeable about all the various types of terminations and associated tooling needed to repair the vast number of interconnections which make up these systems.

Once the system becomes inoperative, the pressure to return the system to operation does not permit the luxury of researching the answers to these tooling complexities.

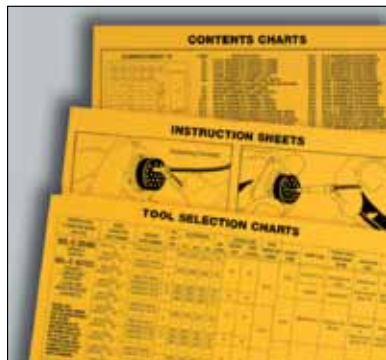
THE MAINTENANCE SOLUTION

Tool Selection Charts DMC does all the necessary research to relieve this pressure and eliminate the guesswork and haphazard, trial-and-error selection of tools by developing detailed Tool Selection Charts to cross reference all the connectors with vital repair tool data. These charts identify the connectors in alpha/numeric order by their military and/or commercial designations; identify the contacts by part number and color code where applicable; list applicable wire sizes; and identify the appropriate crimp tool and associated turret/positioner/die, installing tool and removal tool for wired and unwired contacts where applicable.

Instruction Sheets DMC provides detailed step-by-step directions on how to prepare a tool for use, crimp contacts, install and remove contacts, strip wire, and gauge tools and contacts. Instruction Sheets are also available to meet foreign language or unique special purpose tool requirements.

Contents Charts

These charts offer a visual representation of the storage compartments for all tools in the kit. The Contents Charts list the tools by part number, so the location of all tools and reordering information is immediately available should a component require replacement.



Packaging. DMC then packages these Tool Selection Charts, Contents Charts, and Instruction Sheets with all the crimping tools, turrets, dies, wire strippers, installing tools, removal tools and other accessories necessary to support the system in durable cases tailored to the expected work environment so the tools are properly organized and protected.

With a DMC Wiring System Service Kit, the technician now has ready access to the technical data and tools for reliable, cost-effective Total Wiring System Support.

KIT CONSTRUCTION

FOAM INSERTS

Foam inserts (standard for all DMC kits) provide each component with a designated storage space which is indicated on the Contents Charts. This assures the technician that no needed components are missing prior to departing to make the repair. The technician also knows, prior to leaving the on-site repair, that if a compartment is empty, then a component is missing and must be retrieved. This helps eliminate FOD (Foreign Object Damage) and accountability.



COLORED BASE LAYERS & LABELING (OPTIONAL)

Colored base layers are available to highlight tool cavities and aid with tool tracking. Cavity Labeling is also available to help identify tool cavities and make returning tools to the proper place simpler.



CAVITY LABELING

COLORED BASE LAYERS

CALIBRATION, INSPECTION, AND OVERHAUL/REPAIR FOR TOOL KITS

DMC is available to overhaul and repair existing Wiring System Service Kits or periodic inspection & calibration. We'll repair cases when possible and replace or upgrade foam cavities as needed. We inspect & calibrate all tooling and determine if repairs need to be made. We also identify and replace missing tools, charts, & tool instructions. Contract DMC Customer Service for an estimate or more information.



ENVIRONMENTAL PACKAGING

An analysis of the environmental conditions the kit must endure is an absolute necessity.

Our “Portable” kits are designed for on-site field maintenance. Maximum portability and component protection are the controlling design factors for portable kits. They are supplied in a durable case constructed of metal, fiberglass, or ultra-high impact copolymer. A captive restraint mechanism and heavy duty hardware are generally utilized to secure tools within their cavities.



REINFORCED CORNERS (OPTIONAL)

Fiberglass and high-impact copolymer cases are equipped with gaskets to protect against moisture intrusion. Fiberglass cases designated for ground vehicles even have steel reinforced corners.

Our “Roll Around Cabinet” kits are designed for FBO depot-level workshop maintenance. These kits are designed and packaged for security and convenient location of components. Depot-level cabinets are constructed of steel and have built in locks. They are equipped with roller drawer slides and wheels to allow them to roll around the work-shop or hanger, or can be loaded for easy deployment.



Regardless of packaging, all reference charts are laminated for protection against the elements.



CUSTOM SIZES

The tools and technical data can be packaged in various configurations: from a single metal tool box to a few portable cases to a multi-drawer, roll-around cabinet.

The same kit can be reorganized and reconfigured to serve different purposes. A single portable tool kit can be expanded into a larger cabinet by providing cavities for non-wiring related tools, or a single depot-level cabinet can be broken down into multiple portable cases.

Limited Warranty*

LIMITED WARRANTY*

Daniels Manufacturing Corporation warrants each new unit sold by it to be free from defects in material and workmanship under normal use and service. Its obligation under this warranty is limited to the free correction or, at its option, the refund of the purchase price of any such unit which proves defective within ninety (90) days after delivery to the first user, provided that the unit is returned to it with all transportation charges prepaid and which shall appear to its satisfaction, upon inspection by it, to have been defective

in material or workmanship. This warranty shall not cover any damage to such products, which in the opinion of Daniels Manufacturing Corporation, was caused by normal wear, misuse, improper operation or accident.

DANIELS MANUFACTURING CORPORATION IS NOT LIABLE FOR CONSEQUENTIAL OR SPECIAL DAMAGES OF ANY NATURE OR KIND RESULTING FROM THE USE OF ANY OF ITS PRODUCTS. This warranty is in lieu of all other warranties express or implied. No warranty, express or implied, is made or authorized to be made or assumed with respect to products of Daniels Manufacturing Corporation, other than that herein set forth.

* as defined by PL93-637



ERGONOMICS CHALLENGE

Ergonomic guidelines set for less demanding and mechanically complicated hand tools (such as hammers, wrenches, wire cutters and pliers) cannot be applied to crimping tools which require thousands of pounds of force.

DMC's years of experience as a leader in the crimp tool industry, have confirmed that the most effective ergonomic improvements for workers can be achieved by substituting power assisted crimp tools for existing hand crimp tools wherever feasible. DMC's pneumatic, hydraulic, and battery operated power assisted crimp tools are already supporting OEM Production Line Operations where crimping is being done 24/7.

For hand crimp tools, DMC's ergonomic philosophy is to design the most mechanically efficient hand crimp tool linkage possible and to fit the hand crimp tools with comfortable grips and handle shapes, thereby producing ergonomic hand crimp tools with the same quality, precision and repeatability that have become synonymous with the DMC name.

The solution to the Ergonomics Challenge is to provide power assisted crimp tools for all crimping operations of sufficient volume where the user will see the value of ergonomic benefits.

