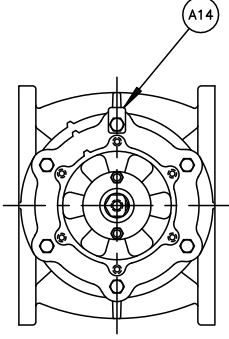
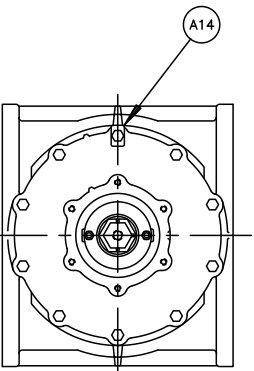


6.5 & 8 VALVES

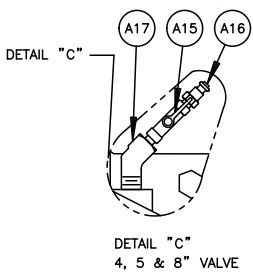
8.5 - 10 VALVES
(SEE NOTE 4)



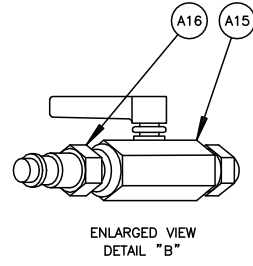
10.5 - 18 VALVES



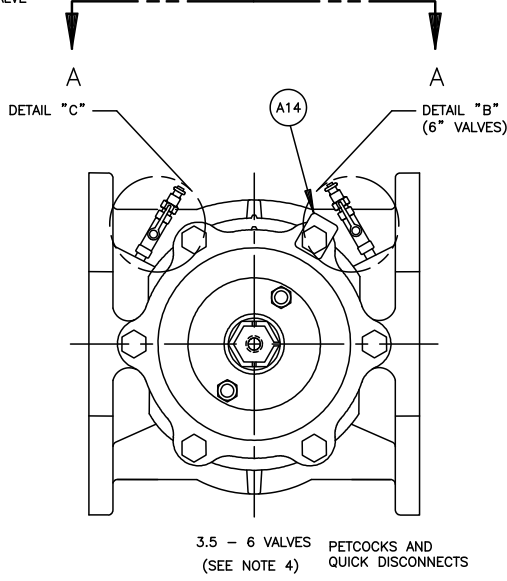
18.5 & 20 VALVES



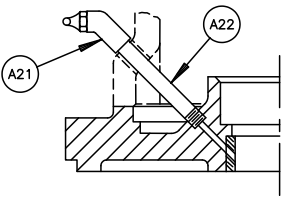
DETAIL "C"
4, 5 & 8" VALVE



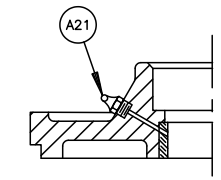
ENLARGED VIEW
DETAIL "B"



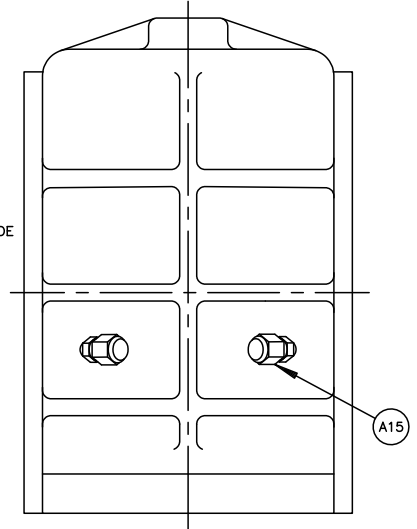
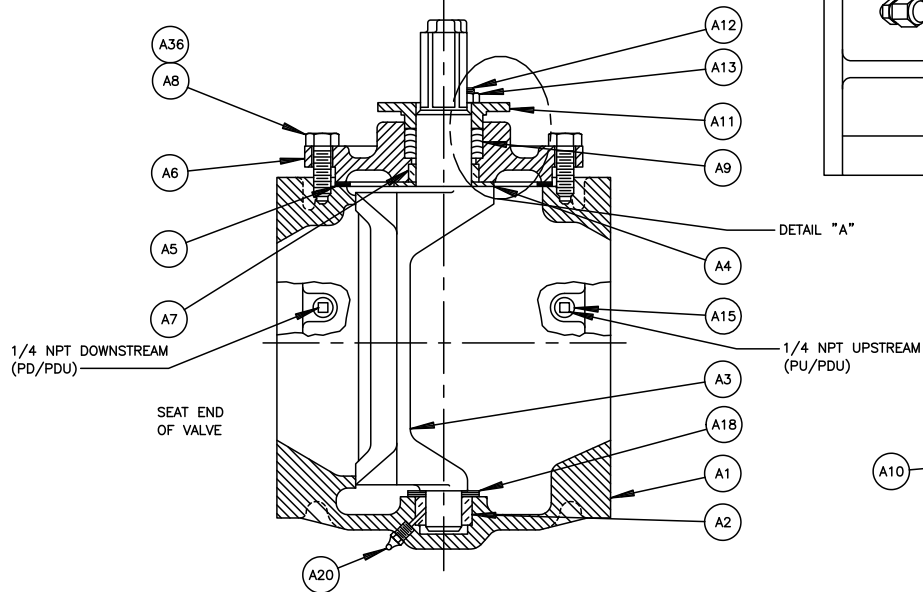
3.5 - 6 VALVES PETCOCKS AND
QUICK DISCONNECTS
(SEE NOTE 4)



GREASE FITTING IN BONNET,
ALL ACTUATORS EXCEPT LV & NT

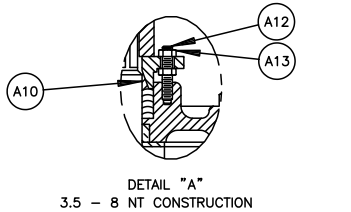


GREASE FITTING IN BONNET,
LV & NT ACTUATORS



SEAT SIDE

VIEW A-A
TIRE FITTING



DETAIL "A"
3.5 - 8 NT CONSTRUCTION

NOTE:

1. RECOMMENDED SPARE PARTS ARE ITEMS NUMBER A3, PLUG(IF RUBBER FACED), A4, A5 AND A9.
2. WHEN ORDERING PARTS, INCLUDE VALVE SIZE AND PART NUMBER FROM DATA PLATE. ALSO INCLUDE THIS DRAWING NUMBER WITH PART NAME, NUMBER AND QUANTITY.
3. CLOCKWISE ROTATION OF PLUG STEM CLOSSES VALVE.
4. ON THE SIZE 3.5, 4, 4.5, 5, 6, 8.5, & 10 VALVES BONNET SCREWS ARE USED FOR MOUNTING ACTUATOR.
5. VALVE MAY BE FURNISHED WITH EITHER THE UPPER JOURNAL GREASE FITTING, THE LOWER JOURNAL GREASE FITTING OR BOTH.

| NO | PART NAME | QTY |
|-----|--|----------|
| A1 | BODY | 1 |
| A2 | BEARING (3.5 - 8 VALVES) | 1 |
| A2 | BEARING (8.5 - 18 VALVES) | 2 |
| A2 | BEARING (18.5 & 20 VALVES) | 1 |
| A3 | PLUG | 1 |
| A4 | THRUST WASHER (GRIT EXCLUDER WITH GE OPTION) | 1 |
| A5 | GASKET (BODY) | 1 |
| A6 | BONNET | 1 |
| A7 | BEARING | 1 |
| A8 | SCREW (3.5 - 18 VALVES) | 6 |
| A8 | SCREW (18.5 & 20 VALVES) | 10 |
| A9 | PACKING | - |
| A10 | CONE, 3.5 - 8 NT (EXCEPT LOW FRICTION CAT. CHAR. NBRL & SQ. PACKING) | 1 |
| A11 | GLAND | 1 |
| A12 | STUD (3.5 - 20 GS--HD_ & GS--CW_) | 2 |
| A12 | STUD (3.5 - 20 GS--C_) | 2 |
| A12 | STUD (8.5 - 12 MNA) | NOT RECD |
| A12 | STUD (8.5 - 12 LV) | NOT RECD |
| A12 | STUD (3.5 - 20 GS--ML_) | 2 |
| A12 | STUD (3.5 - 8 NT) | 2 |
| A13 | NUT (3.5 - 20 GS--HD_ & GS--CW_) | 2 |
| A13 | NUT (3.5 - 20 GS--C_) | 2 |
| A13 | NUT (8.5 - 12 MNA) | NOT RECD |
| A13 | NUT (8.5 - 12 LV) | NOT RECD |
| A13 | NUT (3.5 - 12 GS--ML_) | 2 |
| A13 | NUT (3.5 - 8 NT) | 4 |
| A14 | CAUTION TAG | 1 |
| A15 | PIPE PLUG (PU, PD OR PDU) | - |
| A15 | TIRE FITTING (BV1) | 2 |
| A15 | MANUAL VALVE (BV2) | 2 |
| A16 | ADAPTOR (BV2) | 2 |
| A17 | STREET ELBOW 45 DEG (4.5 & 8 VALVE) (BV2) | 2 |
| A18 | GRIT EXCLUDER (OPTION GE ONLY) | - |
| A20 | GREASE FITTING (OPTION GR ONLY) | 1 |
| A21 | GREASE FITTING (OPTION GR ONLY) | 1 |
| A22 | NIPPLE (EXCEPT LV & NT) (OPTION GR ONLY) | 1 |
| A36 | WASHER (FUSION COATING)(3.5-18 VALVES) | 6 |
| A36 | WASHER (FUSION COATING)(18.5-20 VALVES) | 10 |

| | | |
|---|-------|----------|
| T | 70338 | 11/20/18 |
| S | 63460 | 06/04/17 |
| R | 62259 | 04/20/12 |
| Q | 60042 | 07/28/11 |
| P | 61845 | 11/16/08 |
| N | 61612 | 06/10/08 |
| M | 61602 | 04/02/08 |
| L | 61371 | 11/22/05 |
| K | 60096 | 10/19/03 |
| J | 54663 | 03/20/99 |
| H | 54620 | 02/11/98 |
| G | 53786 | 09/03/96 |
| F | 50372 | 03/22/83 |
| E | 51112 | 03/03/83 |
| D | 51112 | 03/03/81 |
| C | 16317 | 03/05/81 |
| B | 15076 | 6/2/80 |
| A | 14670 | 09/28/81 |



| PEC ECCENTRIC VALVE ASSEMBLY 3.5 - 20, FLANGED, EXCEPT BODY MATERIAL CIS, DIS & CIH | | | |
|--|----------|----------|--|
| DOCT. CODE | DRAWN | APPROVED | |
| C1 | BENNY | RJP | |
| CHECKED | DATE | DATE | |
| TNB | 10-13-83 | | |

A20730