

Flat suction cup (oval)

SAOF 60x23 NBR-60 M14x1.5-AG

Part no.:10.01.05.00385

<https://www.schmalz.com/10.01.05.00385>

Home > Vacuum Technology for Automation > Vacuum Components > Vacuum Suction Cups > Suction Cups for Handling Sheet Metal > Flat Suction Cups SAOF (Oval) > SAOF 60x23 NBR-60 M14x1.5-AG

Flat suction cup (oval) for very dynamic handling of smooth and oily workpieces



Dimensions (LxB): 60 x 23

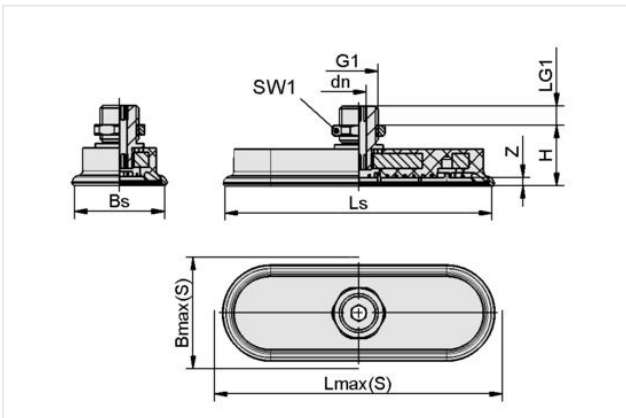
Suction cup material: Nitrile rubber NBR

Material hardness [Shore A]: 60 Shore A

Nipple material: Aluminum

Connection: M14x1.5-AG

Design Data



Attribute	Value
Bmax(S)	25 mm
Bs	21.60 mm
dn	5 mm
G1	M14x1.5-M
H	20 mm
LG1	10 mm
Lmax(S)	64 mm
Ls	60.60 mm
SW1	22 mm
Z (Stroke)	3 mm

Note: Acceptable dimensional tolerances for elastomer parts concerning to DIN ISO 3302-1 M3

Technical Data

Attribute	Value
Suction force (-600mbar)	57 N
Lateral force	37 N
Lateral force (oily surface)	33 N
Volume	3.89 cm ³
Curve radius (min) (convex)	20 mm
Hose diameter (empf.) d	4 mm
Dimensions (LxB)	60 x 23

Contact Schmalz

Schmalz Vacuum Technology Ltd. | 14-2900 Argentia Rd, L5N 7X9 Mississauga, ON, Canada | +1 905 569 9520 | schmalz@schmalz.ca



Flat suction cup (oval)

SAOF 60x23 NBR-60 M14x1.5-AG

Part no...:10.01.05.00385

<https://www.schmalz.com/10.01.05.00385>

Number of folds	0
Suction cup material	Nitrile rubber NBR
Material hardness [Shore A]	60 Shore A
Weight	34 g
Product family	SAOF

Note: Suction force: The specified suction forces are theoretical values at a vacuum of -0.6 bar and with a dry, smooth and flat workpiece surface - they do not include a safety factor Lateral force: The specified lateral forces are values measured at a vacuum of -0.6 bar with a dry or oily, smooth, flat workpiece surface. Depending on the workpiece surface and its quality, the actual values may deviate from these values Hose diameter: The recommended hose diameter refers to a hose length of approx. 2 m